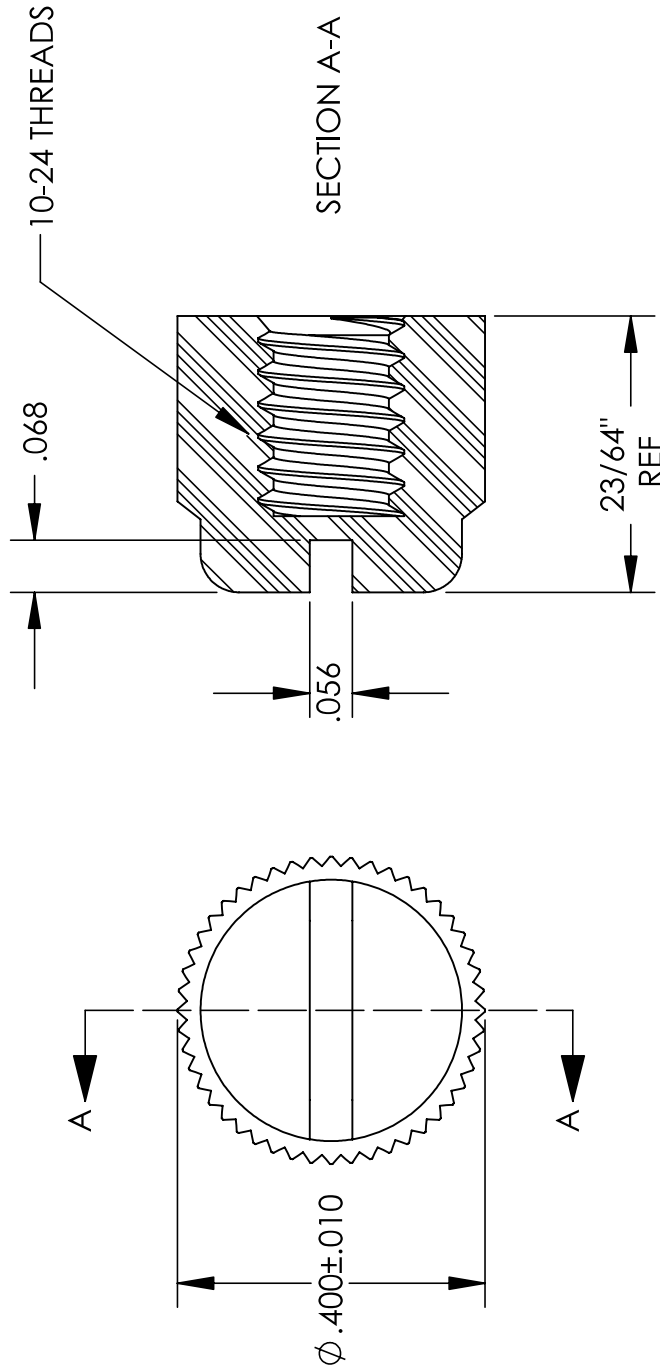


UNCONTROLLED DOCUMENT



WE RESERVE THE RIGHT
TO DISCONTINUE ITEMS,
CHANGE SPECIFICATIONS
OR DESIGN AT ANY TIME
WITHOUT NOTICE AND
WITHOUT INCURRING
ANY OBLIGATIONS

TOLERANCES UNLESS NOTED
+.005 ON DIMENSIONS THRU .625
+.008 ON DIMENSIONS .626 THRU 1.000
+.010 ON DIMENSIONS 1.001 THRU 1.500
+.015 ON DIMENSIONS LARGER THAN 1.500
+.015 ON FRACTIONAL DIMENSIONS

PROPERTY OF

MICRO PLASTICS INC.

CATALOG DRAWING
SLOTTED THUMB NUT
MICRO P/N 0501024SCN
DWG. # 0501024SCN
FILE SERVER\ENG\WEB

MATERIAL: 6/6 NYLON

DATE _____ SCALE 4:1

TA