

8-Way IDC Connector Socket for Cable Mount, 2-Row

RoHS
Compliant

Stock No.: D2558H-208-P0WH-B

FEATURES

- 8 Ways
- 2 Rows
- 1.27mm Pitch



Product Description

This Series is a reliable range of Wire to Board connectors offering designers more options for high-density applications where standard discrete wire and flat flexible connectors are not appropriated. The connectors are ideal for automotive and consumer electronics industries.

General Specifications

| | |
|---------------------------|--|
| Connector Type | Jack |
| Number of Contacts | 8 |
| Number of Rows | 2 |
| Gender | Female |
| Body Orientation | Right Angle |
| Contact Material | Phosphor Bronze |
| Housing Material | PBT |
| Colour | White |
| Applications | computers connecting drives, cd drives, SSD's and other components |

Electrical Specifications

| | |
|--|----------------------------------|
| Current Rating | 1A |
| Voltage Rating | 500V |
| Proof Voltage | 1000VDC or AC peak |
| Termination Method | IDC |
| Contact Plating | Tin |
| Cable | 1.27mm (0.05in) pitch flat cable |
| Insulator Resistance | 1000MOhm min. at DC 500V |
| Contact Resistance | 20MOhm max. at DC 100mA |
| Dielectric Withstanding Voltage | 1000VAC for 1 Minute |
| Connector System | Wire to Board |

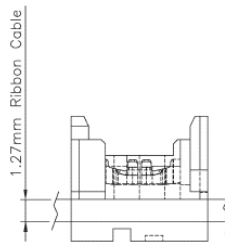
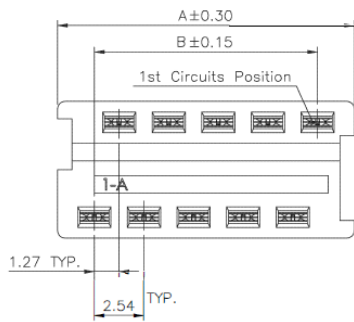
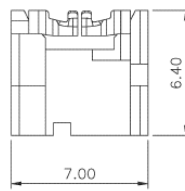
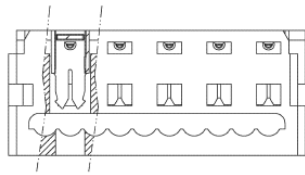
Mechanical Specifications

| | |
|----------------------|---------------|
| Pitch | 2.54mm |
| Mounting Type | Cable Mount |
| Ejector Style | Short latches |
| Length | 12.19mm |
| Width | 7.0mm |

Operation Environment Specifications

| | |
|--------------------------------------|----------------|
| Operating Temperature Range | -40°C to 105°C |
| Minimum Operating Temperature | -40°C |
| Maximum Operating Temperature | 105°C |

Product Drawing



Specifications:
 Current Rating:1.0A
 Contact Resistance:10m ohm. Max.
 Insulation Resistance:1000M ohm. Min.
 Withstanding Voltage:500V AC For One Minute
 Operating Temperature Range:-40°C To +105°C

Materials:
 Insulator:High Temp. Plastic(PBT UL94V-0)
 Insulator Color:White
 Contact:Phosphor Bronze
 Plating:Tin Plated

| Pos. | Dimension | |
|------|-----------|-------|
| | A | B |
| 04 | 7.59 | 3.81 |
| 06 | 10.13 | 6.35 |
| 08 | 12.67 | 8.89 |
| 10 | 15.21 | 11.43 |
| 12 | 17.75 | 13.97 |
| 14 | 20.29 | 16.51 |
| 16 | 22.83 | 19.05 |
| 18 | 25.37 | 21.59 |
| 20 | 27.91 | 24.13 |
| 22 | 30.45 | 26.67 |
| 24 | 32.99 | 29.21 |
| 26 | 35.53 | 31.75 |

Dimensions: Millimeters (Inches)

Part Number Table

| Part Number | Description |
|-------------------|---|
| D2558H-208-P0WH-B | 8-Way IDC Connector Socket for Cable Mount, 2-Row |

Important Notice: This data sheet and its contents (the "Information") belong to the members of the EASE group of companies (the "Group") or are licensed to it. No license is granted for the use of it other than for information purposes in connection with the products to which it relates. No license of any intellectual property rights is granted. The Information is subject to change without notice and replaces all data sheets previously supplied. The Information supplied is believed to be accurate, but the Group assumes no responsibility for its accuracy or completeness, any error in or omission from it or for any use made of it. Users of this data sheet should check for themselves the Information and the suitability of the products for their purpose and not make any assumptions based on information included or omitted. Liability for loss or damage resulting from any reliance on the Information or use of it (including liability resulting from negligence or where the Group was aware of the possibility of such loss or damage arising) is excluded. This will not operate to limit or restrict the Group's liability for death or personal injury resulting from its negligence. EASE is the registered trademark of Ease Electronics Co., Limited 2019.