

## 50-Way Connector Plug for Through Hole Mount, 2-Row

RoHS  
Compliant

Stock No.: A2544WVA-250-P0BKG

### FEATURES

- 50 Ways
- 2 Rows
- 2.54mm Pitch



### Product Description

The flat cable connector is a mainstream of circuit board connector that comes with new improved design. There are various plugs which are available like space-saving box-type plugs, IDC plugs which can be used for relaying. These connectors come with long locks and straight DIP terminals.

### General Specifications

<b>Connector Type</b>	Plug
<b>Number of Contacts</b>	50
<b>Number of Rows</b>	2
<b>Gender</b>	Male
<b>Body Orientation</b>	Straight
<b>Contact Material</b>	Brass
<b>Housing Material</b>	PBT
<b>Colour</b>	Black
<b>Applications</b>	relaying

### Electrical Specifications

<b>Current Rating</b>	3A
<b>Voltage Rating</b>	250V
<b>Proof Voltage</b>	1500VDC or AC peak
<b>Termination Method</b>	IDC
<b>Contact Plating</b>	Gold flash
<b>Cable</b>	2.54mm (0.10in) pitch flat cable
<b>Insulator Resistance</b>	1000MOhm min. at DC 500V
<b>Contact Resistance</b>	20MOhm max. at DC 100mA
<b>Dielectric Withstanding Voltage</b>	1000VAC for 1 Minute
<b>Connector System</b>	Wire to Board

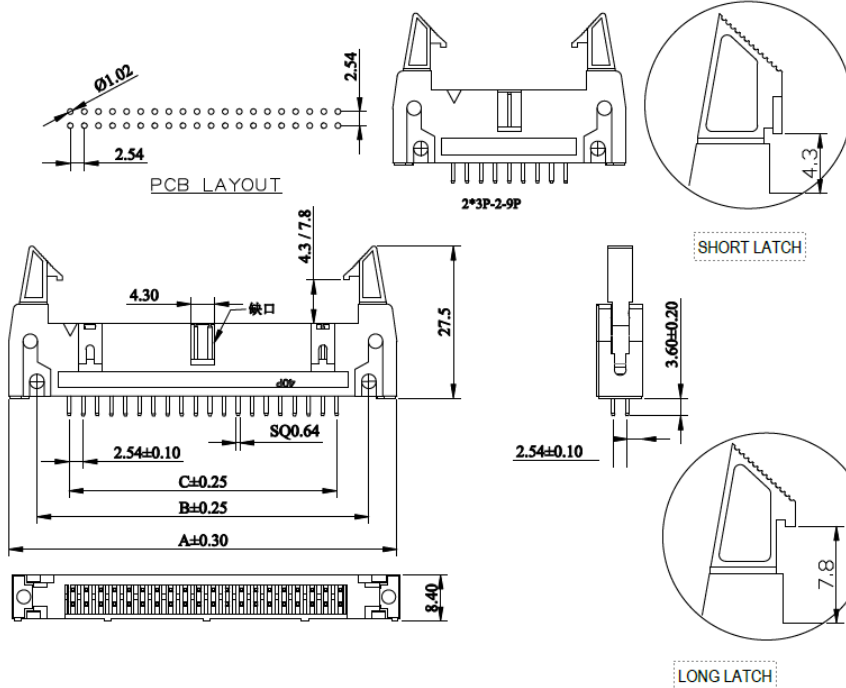
## Mechanical Specifications

<b>Pitch</b>	2.54mm
<b>Mounting Type</b>	Through Hole
<b>Ejector Style</b>	Long latches
<b>Length</b>	82.8mm
<b>Width</b>	8.4mm

## Operation Environment Specifications

<b>Operating Temperature Range</b>	-25°C to 85°C
<b>Minimum Operating Temperature</b>	-25°C
<b>Maximum Operating Temperature</b>	85°C

## Product Drawing



- Specifications :**
- Voltage rating: 250V AC / DC
  - Current rating: 3A AC / DC
  - Withstanding voltage: 1500V AC/minute
  - Temperature Range: -25° C~+85° C
  - Insulation Resistance: 1000MΩ Min.
  - Contact Resistance: 20mΩ Max.

**Reference Informations:**

**\*Material:**  
**PIN: Brass/Gold-flash**  
**Wafer: PBT,UL94V-0**  
**Color: BK-Black**

A2544 W V A - 2NP - P0 BK G X  
 ① ② ③ ④ ⑤ ⑥ ⑦ ⑧

- ① Series No.
- ② Category:W-wafer
- ③ Welding Board Angle: V- Straight 180° , R-Vertical 90°
- ④ Collid Feature: Blank-Common,A-A type( ...
- ⑤ Circuit No.: 230-2\*15PIN,
- ⑥ Material: 6T-Nylon6T,UL94V-0; PO-PBT,UL94V-0;
- ⑦ Color: BK-Black, WT-White
- ⑧ Plating Method: G-Gold-flash, T-Tin-plated,
- ⑨ Option: Blank-Standard type( ), 2-B type( )

**Ordering Information & Dimensions**

Poles	Dimensions (mm)			Poles	Dimensions (mm)		
	A	B	C		A	B	C
2*3P	26.92	16.76	5.08	2*18P	65.02	54.86	43.18
2*4P	29.46	19.30	7.62	2*19P	67.56	57.40	45.72
2*5P	32.00	21.84	10.16	2*20P	70.10	59.94	48.26
2*6P	34.54	24.38	12.70	2*21P	72.64	62.48	50.80
2*7P	37.08	26.92	15.24	2*22P	75.18	65.02	53.34
2*8P	39.62	29.46	17.78	2*23P	77.72	67.56	55.88
2*9P	42.16	32.00	20.32	2*24P	80.26	70.10	58.42
2*10P	44.70	34.54	22.86	2*25P	82.80	72.64	60.96
2*11P	47.24	37.08	25.40	2*26P	85.34	75.18	63.50
2*12P	49.78	39.62	27.94	2*27P	87.88	77.72	66.04
2*13P	52.32	42.16	30.48	2*28P	90.42	80.26	68.58
2*14P	54.86	44.70	33.02	2*29P	92.96	82.80	71.12
2*15P	57.40	47.24	35.56	2*30P	95.50	85.34	73.66
2*16P	59.94	49.78	38.10	2*31P	98.04	87.88	76.20
2*17P	62.48	52.32	40.64	2*32P	100.58	90.42	78.74

Dimensions: Millimeters (Inches)

## Part Number Table

Part Number	Description
A2544WVA-250-P0BK	50-Way Connector Plug for Through Hole Mount, 2-Row

Important Notice: This data sheet and its contents (the "Information") belong to the members of the EASE group of companies (the "Group") or are licensed to it. No license is granted for the use of it other than for information purposes in connection with the products to which it relates. No license of any intellectual property rights is granted. The Information is subject to change without notice and replaces all data sheets previously supplied. The Information supplied is believed to be accurate, but the Group assumes no responsibility for its accuracy or completeness, any error in or omission from it or for any use made of it. Users of this data sheet should check for themselves the Information and the suitability of the products for their purpose and not make any assumptions based on information included or omitted. Liability for loss or damage resulting from any reliance on the Information or use of it (including liability resulting from negligence or where the Group was aware of the possibility of such loss or damage arising) is excluded. This will not operate to limit or restrict the Group's liability for death or personal injury resulting from its negligence. EASE is the registered trademark of Ease Electronics Co., Limited 2019.