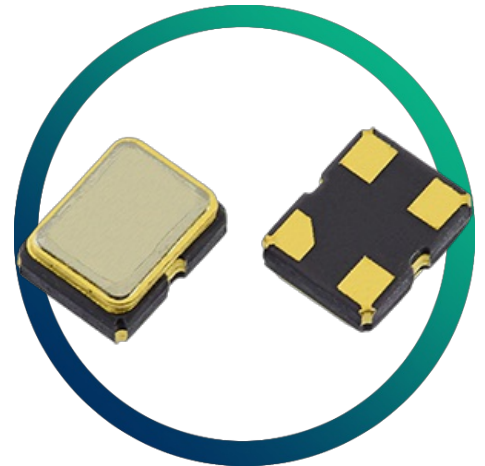


# GXO-3301L

## 2.5V-3.3V SM Oscillator With Low Current Consumption



- Low current consumption
- Miniature ceramic package with metal lid
- Enable / disable tristate function
- Competitive pricing

### CONFIGURABLE OPTIONS

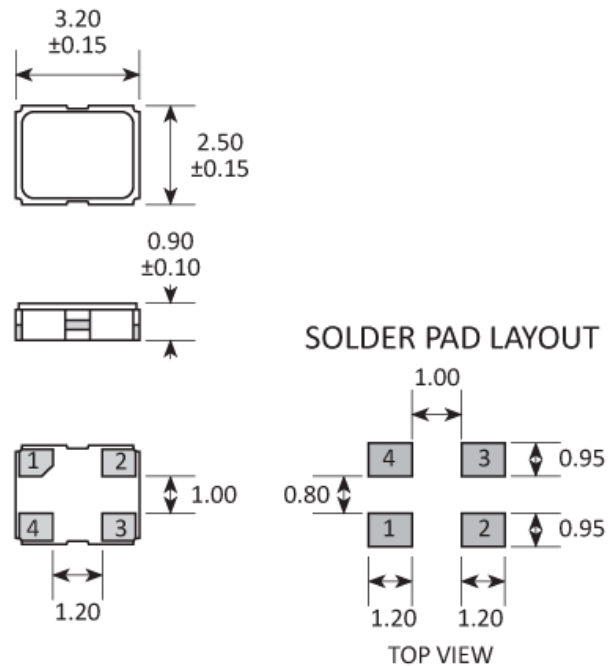
Parameter	Option Code
Frequency	
Frequency stability	
* see note below	
Any	
±100ppm	
±50ppm	B
±30ppm	E
±25ppm	A
Operating temperature range	
Any	
-20 to +70°C	
-40 to +85°C	I

**\* Frequency stability is inclusive of calibration @ 25°C, operating temperature range, supply, voltage change, load change, shock and vibration.**

**SPECIFICATIONS**

Frequency range	0.625 ~ 75.0MHz
Dimensions	3.2 x 2.5 x 1.0mm
Storage temperature range	-55 to +100°C
Supply voltage ( $V_{DD}$ )	+2.5V ~ 3.3V ( $\pm 5\%$ )
Supply current	6.0mA max ( $\leq 20.0$ MHz) 11.0mA max ( $> 20.0$ MHz - 40.0MHz) 16.0mA max ( $> 40.0$ MHz - 60.0MHz) 20.0mA max ( $> 60.0$ MHz - 75.0MHz)
Logic levels	'0' level = 10% $V_{DD}$ max '1' level = 90% $V_{DD}$ min
Start up time	10ms max
Waveform symmetry	45:55 @ 50% $V_{DD}$
Driving ability	15pF CMOS
Rise / fall time	10ns max
Enable / disable function	Tristate (control via pad 1) (E/D times 10ms / 200ns)
Period jitter RMS	5ps max
Phase jitter RMS	1ps max, 12kHz~20MHz
Ageing	$\pm 5$ ppm / year max
Net mass	22.4mg

\* **GXO-3301L will operate within specification on any supply voltage from +2.5V to +3.3V. Supply current will vary with supply voltage. Figures shown are for 3.0V supply.**

**PACKAGE DRAWING**


PAD	CONNECTION
1	Enable/Disable
2	Ground
3	Output
4	Supply

Dimensions in mm

## ORDERING INFORMATION

To request a quotation for the GXO-3301L please use the configurable options form to choose the options you require and then submit your configured product to our team. Our expert advisers are always happy to help with your requirements and can be contacted on +44 1460 256 100 or at [sales@golledge.com](mailto:sales@golledge.com).

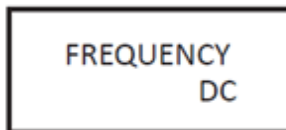
Following product selection you will be issued with a seven character Golledge part number. Your Golledge part number is the internationally accepted Golledge manufacturing part number (MPN) that should be used for all project documentation, including bills of materials (BoMs) and purchase orders.

If you have any queries regarding any of our documentation our dedicated sales team will be happy to help.

## ENABLE / DISABLE FUNCTION

Input (pad 1)	Output (pad 3)
Open	Enabled
'1' level	Enabled
'0' level	High Impedance

## MARKING

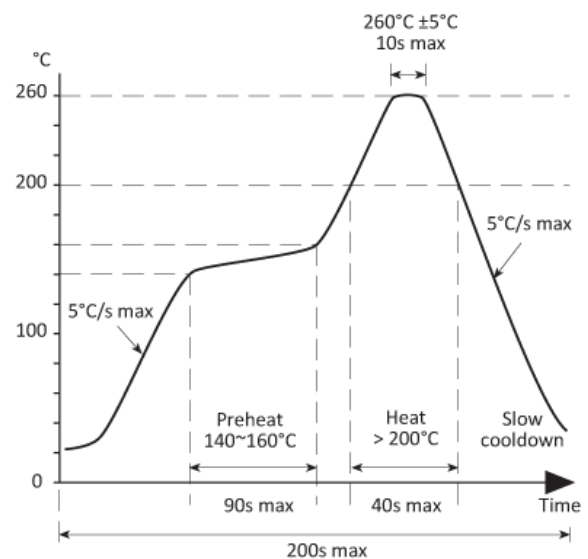


Marking type: Laser

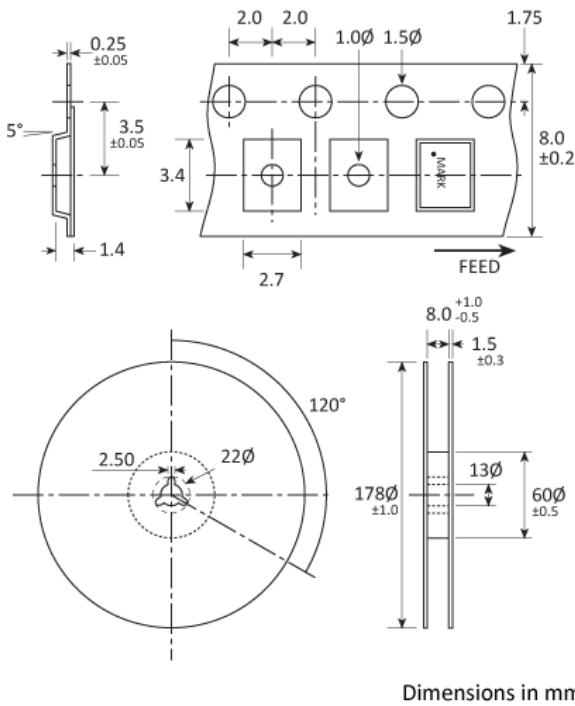
DC = Date Code in YM, eg. "GF" = Jun 2017

	A	B	C	D	E	F	G	H	J	K	L	M
Y	1	2	3	4	5	6	7	8	9	0		
M	Jan	Feb	Mar	Apr	May	Jun	Jul	Aug	Sep	Oct	Nov	Dec

## SOLDERING PROFILE



**TAPE & REEL SPECIFICATION**



**HANDLING & STORAGE**



Human Body Model (HBM) 1A (250V to <500V)



Moisture Sensitivity Level (MSL): 1 (or not applicable)

**CONSTRUCTION**

Ceramic body with gold-plated pads  
Metal lid, seam sealed

**COMPLIANCE**

Please refer to our **DOCUMENTS** section for more information.



Lead-free (< 0.1% by weight)



RoHS compliant with no exemptions.



REACH compliant.



Free of conflict minerals.



Free from halogens.



Free from ozone-depleting substances.