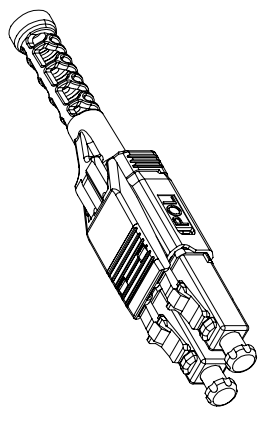
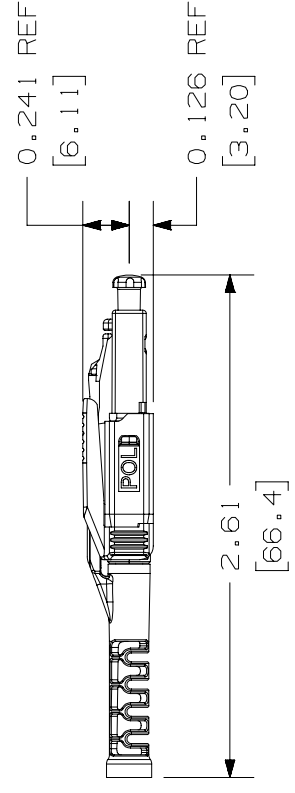
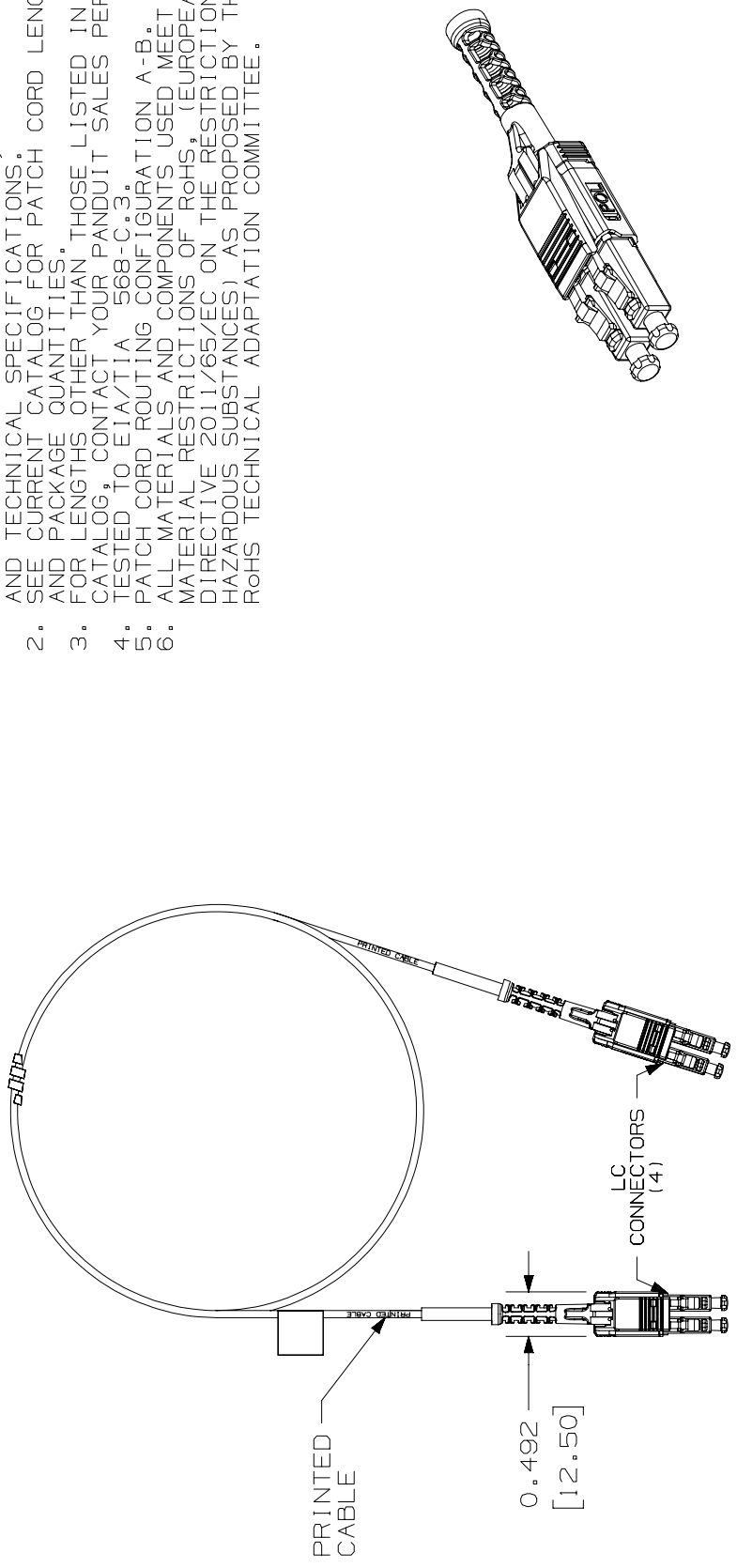


THIS COPY IS PROVIDED ON A RESTRICTED BASIS AND IS NOT TO BE USED IN ANY WAY DETRIMENTAL TO THE INTERESTS OF PANDUIT CORP.

NOTES:

1. SEE SHEET 2 FOR PART NUMBERS, PRODUCT DETAILS AND TECHNICAL SPECIFICATIONS.
2. SEE CURRENT CATALOG FOR PATCH CORD LENGTHS AND PACKAGE QUANTITIES.
3. FOR LENGTHS OTHER THAN THOSE LISTED IN CATALOG, CONTACT YOUR PANDUIT SALES PERSON.
4. TESTED TO EIA/TIA 568-C.3.
5. PATCH CORD ROUTING CONFIGURATION A-B.
6. ALL MATERIALS AND COMPONENTS USED MEET THE MATERIAL RESTRICTIONS OF ROHS. (EUROPEAN DIRECTIVE 2011/65/EC ON THE RESTRICTION OF HAZARDOUS SUBSTANCES) AS PROPOSED BY THE ROHS TECHNICAL ADAPTATION COMMITTEE.



TITLE		CUSTOMER DRAWING	
FIBER OPTIC PATCH CORD LC UNIBOOT 2.0		M02779EV/00	
ITEM REVISION NAME		M02779EV_DC/00A	
DATASET FILE NAME		M02779EV_DC/00A	
UNLESS OTHERWISE SPECIFIED, DIMENSIONAL TOLERANCES ARE: IN (mm)		DRAWING NUMBER: M02779EV-DC	
.X ± .03 (0.8)		MATERIAL:	
.XX ± .03 (0.8)		ANGLES ± .010 (0.3)	
THIRD ANGLE PROJECTION		DRAWN BY: SAT	
SCALE: NONE		DATE: 12-17-20	
CHK: JGD		JGD	
SHT 1 OF 2		SIZE: A	

00A	12-17-20	SAT	JGD	RASO	INITIAL RELEASE	M02779EV-DC
REV	DATE	BY	CHK	APR	DESCRIPTION	ECN

B

A

B

A

1

1

2

2

THIS COPY IS PROVIDED ON A RESTRICTED BASIS AND IS NOT TO BE USED IN ANY WAY DETRIMENTAL TO THE INTERESTS OF PANDUIT CORP.

LC UNIBOOT TO LC UNIBOOT FIBER OPTIC PATCHCORD

PANDUIT P/N	CABLE			LC CONNECTOR			PERFORMANCE				
	RATING	FIBER TYPE	COUNT	COLOR	CONNECTOR TYPE	HOUSING COLOR		BOOT COLOR			
FX2RPU1U10N*****	PLENUM (OF NP)	OM3	2 FIBER 2.0mm UNITARY CABLE	AQUA	MM	AQUA	AQUA	OPTIMIZED IL ≤ 0.15dB			
FZ2RPU1U10N*****		OM4									
FX2RPU1U11N*****		OM3									
FZ2RPU1U11N*****		OM4									ULTRA IL ≤ 0.10dB
FS2RPU1U11N*****		OM4+									
FW2RPU1U11N*****	OM5			LIME		LIME	BLACK				
F92RPU1U10N*****	OS2			YELLOW	SM	BLUE	BLUE	OPTIMIZED IL ≤ 0.25dB			
F92RPU2U20N*****	OS2			YELLOW	SM APC	GREEN	GREEN				
FX2RLU1U10N*****	LSZH	OM3	2 FIBER 2.0mm UNITARY CABLE	AQUA	MM	AQUA	AQUA	OPTIMIZED IL ≤ 0.15dB			
FZ2RLU1U10N*****		OM4									
FV2RLU1U11N*****		OM4EV				ERIKA VIOLET		ERIKA VIOLET			
FX2RLU1U11N*****		OM3									ULTRA IL ≤ 0.10dB
FZ2RLU1U11N*****		OM4									
FS2RLU1U11N*****	OM4+			AQUA		AQUA	AQUA				
FW2RLU1U11N*****	OM5			LIME		LIME	BLACK				
F92RLU1U10N*****	OS2			YELLOW	SM	BLUE	BLUE	OPTIMIZED IL ≤ 0.25dB			
F92RLU2U20N*****	OS2			YELLOW	SM APC	GREEN	GREEN				

**** - DENOTES PATCH CORD LENGTH, WHERE M = METERS, F = FEET

TITLE		FIBER OPTIC PATCH CORD LC UNIBOOT 2.0	
ITEM REVISION NAME		CUSTOMER DRAWING	
DATASET FILE NAME		M02779EV/00	
MATERIAL:		M02779EV_DC/00A	
UNLESS OTHERWISE SPECIFIED, DIMENSIONAL TOLERANCES ARE: IN (mm)			
.X ± .03 (0.8)		.XXX ± .010 (0.3)	
.XX ± .03 (0.8)		ANGLES ±	
THIRD ANGLE PROJECTION		DRAWING NUMBER: M02779EV-DC	
DRAWN BY	DATE	CHK	SCALE
SAT	12-17-20	JGD	NONE
REV	DATE	BY	CHK
APR			
SEE SHEET 1 FOR REVISION HISTORY			
REV	DATE	BY	CHK
APR			
DESCRIPTION			
ECN			
SHT 2 OF 2			
SIZE			
A			