

# SMB 200 Series Round Low Profile Snap-in Fresnel Lens



Available in different transparent and translucent colors and snaps fit into a 0.171"(4.34mm) dia. panel hole.

## Key Features

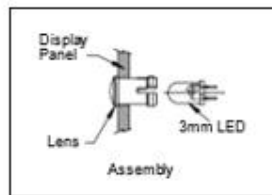
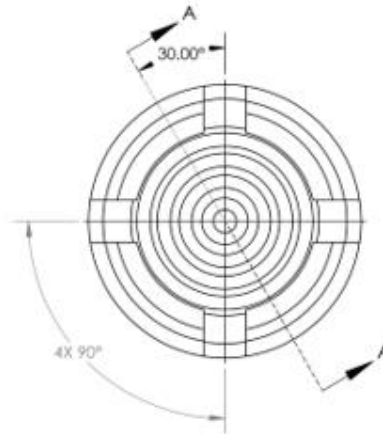
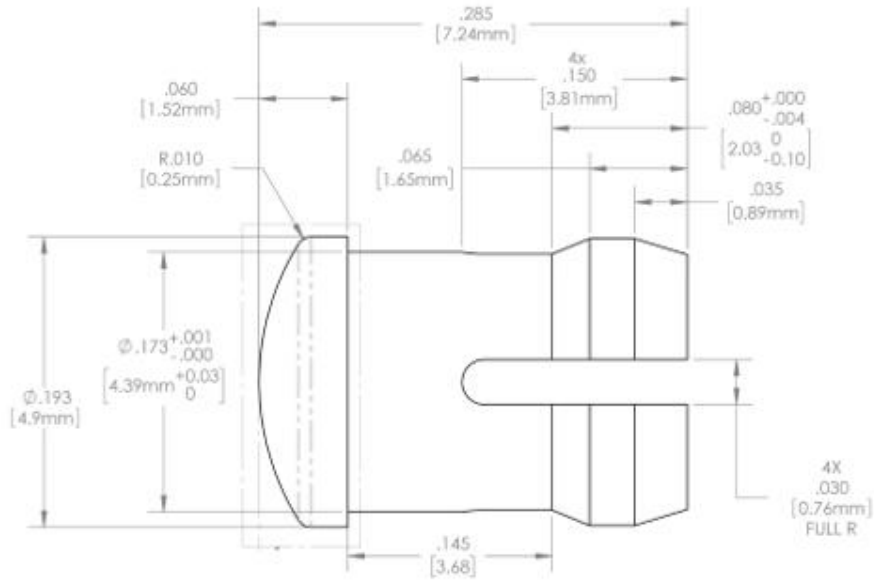
- **Mounting:** Mounts in a .171 .002 [ 4.34mm .05] panel hole on .250 [6.35mm] centers. Panel thickness .063 [1.6mm] to .125 [3.17mm]. Panel hole should be deburred, but not chamfered
- **Assembly:** Insert lens through panel hole, and insert LED into lens
- **Material:** Polycarbonate, UL 94-V2 GLO Series- Polycarbonate & Acrylic blend
- Lens style: Round with convex top
- Easy front panel snap-in
- Available in 7 different colors red, amber, green, blue, yellow, clear and white
- U.S. & Foreign Pat. Issued & Pending.

## Ordering Data

ORDERING CODE: **SMB\_200\_XXX**

| MATERIAL TABLE |                       |  |                         |
|----------------|-----------------------|--|-------------------------|
| CODE           | DESCRIPTION           | PLASTIC                                    | COLORANT/<br>PERCENTAGE |
| RTP            | RED<br>TRANSPARENT    | PC - HF1130-112;<br>UL RATING 94-V2        | FCC-92808-PC-6; 4%      |
| ATP            | AMBER<br>TRANSPARENT  | PC - HF1130-112;<br>UL RATING 94-V2        | FCC-41686-PC-1; 4%      |
| GTP            | GREEN<br>TRANSPARENT  | PC - HF1130-112;<br>UL RATING 94-V2        | FCC-52676-PC-1; 4%      |
| BTP            | BLUE<br>TRANSPARENT   | PC - HF1130-112;<br>UL RATING 94-V2        | FCC-83191-PC-1; 4%      |
| YTP            | YELLOW<br>TRANSPARENT | PC - HF1130-112;<br>UL RATING 94-V2        | FCC-41685-PC-1; 4%      |
| CTP            | CLEAR<br>TRANSPARENT  | PC - HF1130-112;<br>UL RATING 94-V2        | N/A (CLEAR)             |
| GLO            | WHITE<br>TRANSLUCENT  | PC/ACRYLIC<br>BLEND - RTP 1800A<br>S-24249 | N/A (WHITE)             |

# Product Dimensions



## Notes:

All dimensions are in inches [mm]

# Compliances and Approvals

