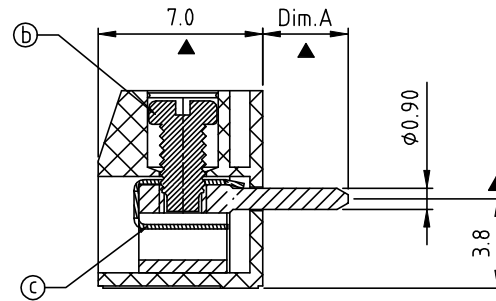
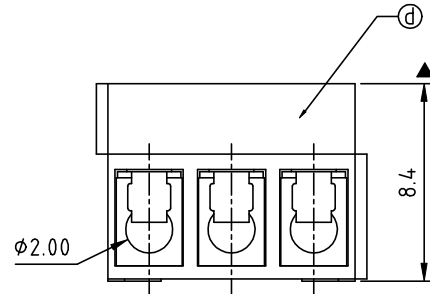
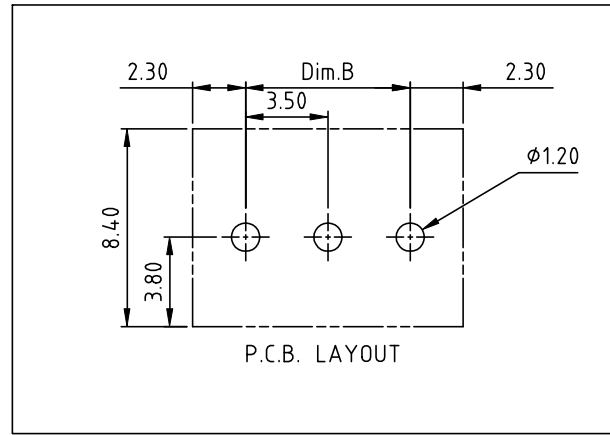
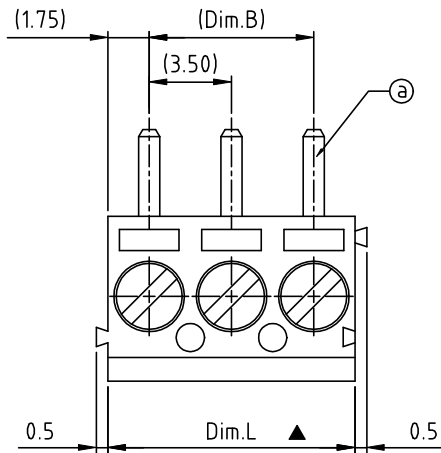


RoHS Compliant

Rev.	SIGN	DATE	DESCRIPTION	APPROVER
C		06/26-23	Remove CSA.	Guoxue
THIS IS CAD DRAWING, DO NOT REVISE MANUALLY!!!				



Material

- Item ① Terminal body(metal housing): Brass(CuZn),Tin plated
- Item ② Terminal screw: Steel Zinc plating "--" slot type
- Item ③ Wire guard :stainless steel
- Item ④ Insulator (housing): Thermoplastic (UL94V-0)

Electrical

UL

- Voltage rating: 125V
- Current rating: 10A
- Wire range:
- Solid wire(AWG): 16-26
- Stranded wire(AWG): 16-26
- Torque: 1.7Lb-In
- Screw: M2
- Wire strip length: 5-6mm
- Withstanding Voltage: 1.25KV
- Operating temperature: -40°C to +115°C
- Wave Soldering temperature: 260°C±5°C/5 Sec
- Safety Approval:
- Critical dimension:
- Reference dimension: (x) The dimensions of pitch are just for reference, take the actual assembly result as a judgment when inserting the terminal block into the PCB hole.

TF xx 0 1 x x xxxx G

POLES	Color	DIM A Length	000 0 @ logo
02 02 POLES	0 Black (RAL9005)	0 4.4mm	000 A ANY logo
03 03 POLES	2 Red (RAL3001/D)	1 3.8mm	Any special item by
...	3 Orange(RAL2011/P)	2 3.5mm	customer request,
24 24 POLES	4 Yellow(RAL1018/A)		please contact sales
	5 Green(RAL6018/T)		department.
	6 Blue (RAL5015/A)		
	8 Grey(RAL7035/D)		
	9 White(RAL1102)		
	C Green(RAL6018/U)		

N = Number of poles  
 Dim L=Nx3.5  
 Dim B=(N-1)x3.5

	Dim L
2-5p	±0.15
6-10p	±0.20
11-15p	±0.25
16-20p	±0.35
21-24p	±0.40

**Amphenol**  
**ANYTEK**

**CUSTOMER COPY**

ALL RIGHTS RESERVED. REPRODUCTION OR ISSUE TO THIRD PARTIES IN ANY FORM WHATEVER IS NOT PERMITTED WITHOUT WRITTEN AUTHORITY FROM THE PROPRIETOR. PROPERTY OF ANYTEK TECHNOLOGY CO., LTD

TITLE	TF 3.5 series "--"			
PART NO.	TFxx01xxxxxxG	DWG NO.	8TF0003	
APPROVED	CHECKED	DESIGNED	DRAWN	CUST NO.
		Guoxue 2023.06.26	Guoxue 2023.06.26	
				Tolerance
				X. ±0.50
				X.X ±0.30
				X.XX ±0.10
				X° ±1°
SHEET: 01/01				UNIT: mm
				SCALE: NONE
				REV.: C