



PM Type
Motors

Reference Characteristics

Motor Size	SM3.4 - F20
Number of Steps per Rotation	20 (18° / Step)
Drive Method	2 - 2 PHASE
Drive Circuit	BIPOLAR CONST. VOLT.
Drive Voltage	3 [V]
Current / Phase	
Coil Resistance / Phase	25 [Ω]
Drive IC	LB1836M
Magnet Material	Nd-Fe-B bonded magnet (N51)
Insulation Resistance	1M [Ω] MIN
Dielectric Strength	AC 100 [V] 1 [min]
Class of Insulation	CLASS E
Operating Temp.	-10 [°C] ~ 50 [°C]
Storage Temp.	-25 [°C] ~ 60 [°C]
Operating Hum.	5 [%] RH ~ 85 [%] RH

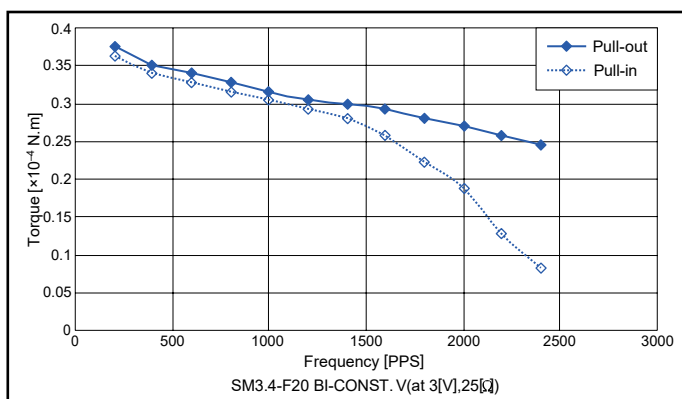
※ Bipolar only. Unipolar is not available .
 ※ No dew condensation.

Applications

Optical instrument : Digital cameras / Blu-ray
 Aberration correction

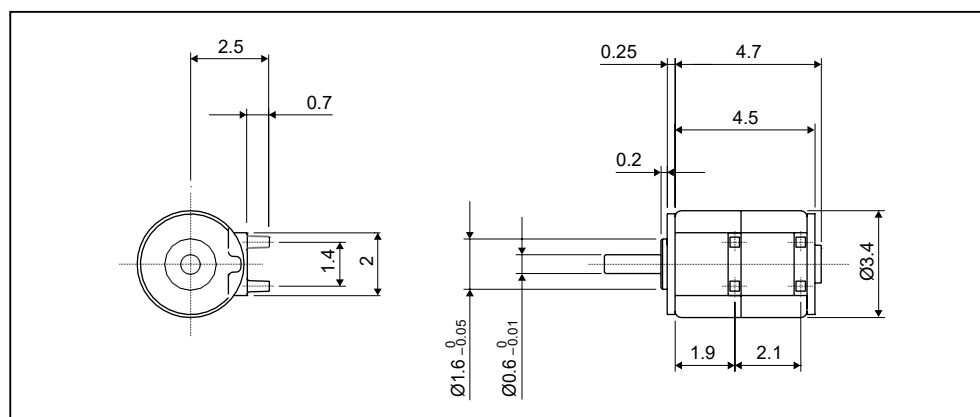
Telecommunication Equipment : Smart phone / Tablet

Torque Characteristics



These torque values are reference only. Heat radiation conditions and temperature rise effect by duty are different on each equipment, therefore please select motors after considering the actual equipment .

Dimensions



Please contact our sales for inventory and lot information. Specification may be changed without notice.