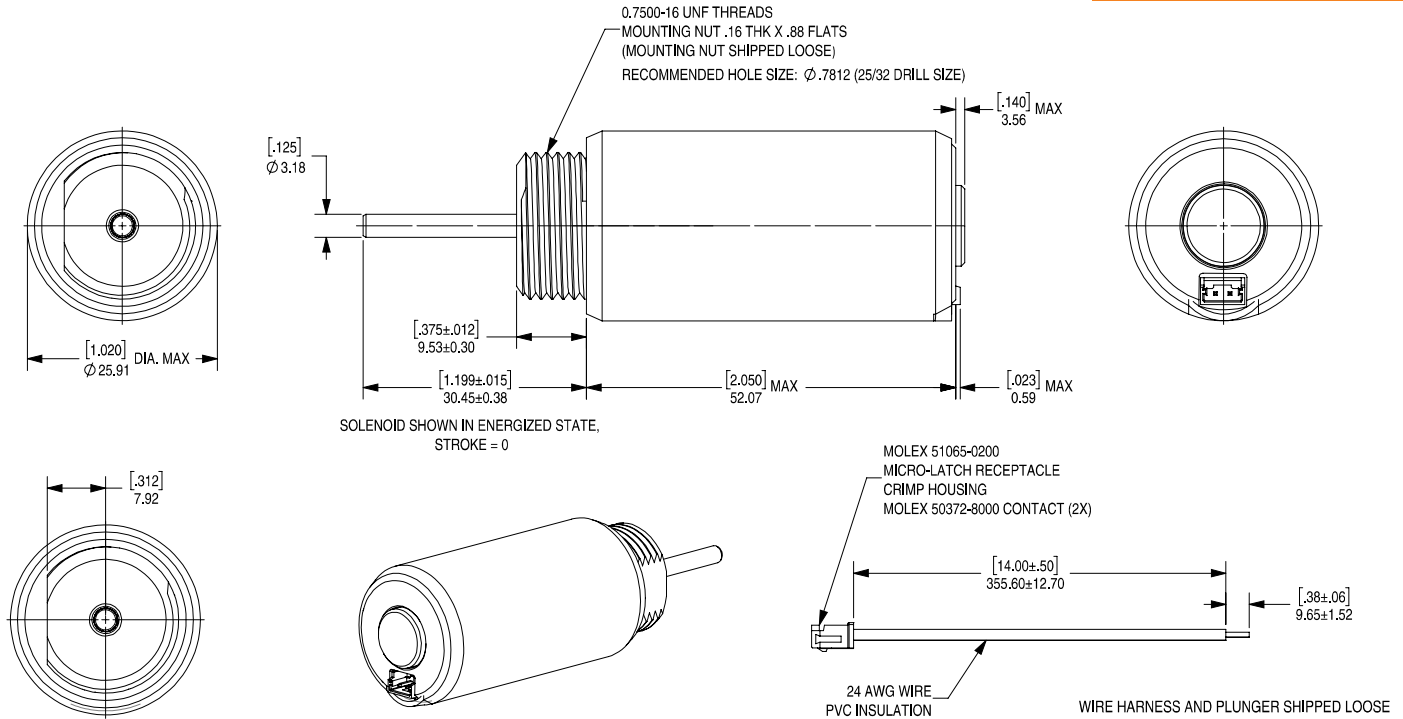


Tubular Solenoid 100

**PUSH
TYPE**



| Part No. | Duty Cycle | Ampere Turns ⁴ | Max. ON Time Continuous Pulse (sec.) ¹ | Max. ON Time Single Pulse (sec.) | Voltage (V) ³ | Resistance (Ω) | Power (W) | Current (A) |
|--------------|------------|---------------------------|---|----------------------------------|--------------------------|-------------------------|-----------|-------------|
| 1671-9B20008 | 25% | 2332 | 32 | 120 | 10.4 | 2.7 | 40 | 3.87 |
| | 100% | 1166 | ∞ | ∞ | 5.2 | | 10 | 1.93 |
| 1671-9B40010 | 25% | 2332 | 32 | 120 | 35.0 | 31.2 | 40 | 1.12 |
| | 100% | 1166 | ∞ | ∞ | 17.7 | | 10 | 0.57 |
| 1671-9B60012 | 25% | 2332 | 32 | 120 | 45.0 | 49.6 | 40 | 0.91 |
| | 100% | 1166 | ∞ | ∞ | 22.0 | | 10 | 0.44 |

| Typical Push Force - lbf (N) ² | | | | | | | | |
|---|---------------|---------------|---------------|---------------|---------------|---------------|---------------|--|
| Stroke - in.(mm) | 0.000 (0.00) | 0.100 (2.54) | 0.200 (5.08) | 0.300 (7.62) | 0.400 (10.16) | 0.500 (12.70) | 0.600 (15.24) | |
| Continuous Duty | 5.140 (22.86) | 2.196 (9.77) | 1.085 (4.83) | 0.640 (2.85) | 0.441 (1.96) | 0.343 (1.53) | 0.274 (1.22) | |
| Intermittent Duty | 7.597 (33.79) | 5.434 (24.17) | 3.638 (16.18) | 2.453 (10.91) | 1.791 (7.97) | 1.420 (6.32) | 1.145 (5.09) | |

Performance

Dielectric Strength 1000Vrms

Recommended Minimum Heat Sink Maximum watts dissipated by solenoid are based on an unrestricted flow of air at 20°C, with solenoid mounted on the equivalent of an aluminum plate measuring 4" square by 1/8"

Class B Insulation System

¹ Continuously pulsed at stated watts and duty cycle

² All values shown are average at 20°C

³ Other voltages available (please consult factory)

⁴ Reference number of turns

RoHS Compliant

Made in Ohio, USA