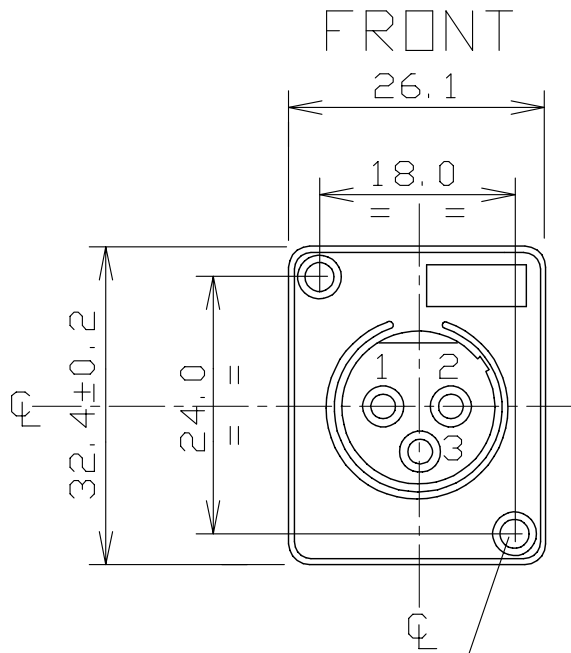
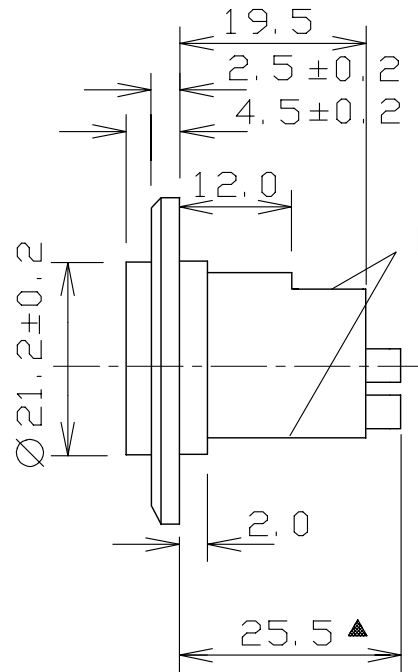


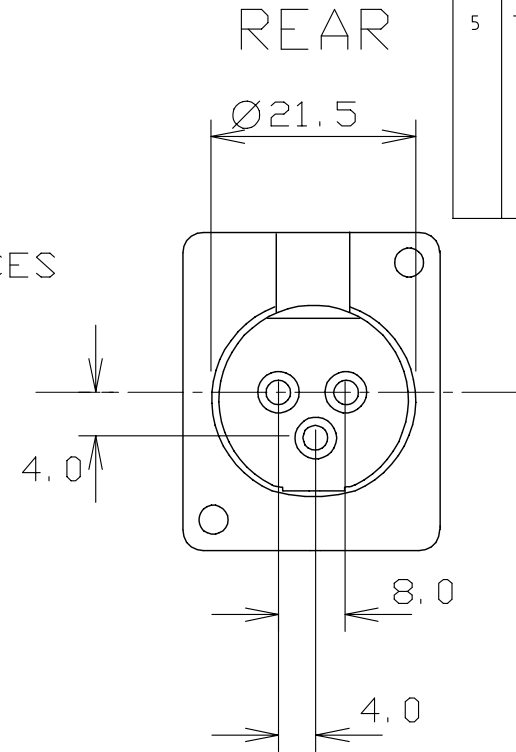
ISS.	AMEND	DATE
1	REDRAWN	12/10/90
2	RS ADDED	1/2/91
3	▲ERROR CORR	2/5/91
4	PIN ALIGN NOTE	17/5/93
5	TOLS, ISIR 0142	6/9/93



FOR HOLE SIZE &
CONFIGURATION
SEE PANEL A



FLAT SURFACES



NOTE: PINS ARE IN LINE,
NOT STAGGERED.

PANEL A	
ACM CP 3000	TO SUIT M3 C. S. SCREW
XACM CP 30001	NO C. SINK Ø2.5mm

VARIANT	
P/No.	MODEL
CP 300005	ACM/RS RS#486-252 (MARKED WITH RS LOGO)

RoHS
COMPLIANT

Tolerance
NO DEC. PLACE ± 0.2
1 DEC. PLACE ± 0.1
2 DEC. PLACE ±
DIA. HOLES ±
ANGLES ± 1/2°
UNLESS
OTHERWISE STATED

WHERE USED F.R.
SCALE N.T.S.

DIMENSIONS IN MILLIMETERS UNLESS OTHERWISE STATED. WORK TO DIMENSIONS. DO NOT SCALE DRAWING. 3rd ANGLE PROJECTION. REMOVE BURRS. IF IN DOUBT ASK.

Cliff Electronic Components Limited
76 Holmehorpe Ave., Holmehorpe Ind. Estate,
Redhill, Surrey. RH1 2PF. England.
Tel: 01737-771375 Fax: 01737-766012

MATERIAL NYLON / BRASS
FINISH MATT / SILVER PLATED
DRAWN C.A.M.J. APPD. RWT

TITLE AUDIO CONNECTOR MODEL ACM

DRWG. No. **CP 3000**

FORM: A4DRWGH