

150mm Dual Inlet Blower

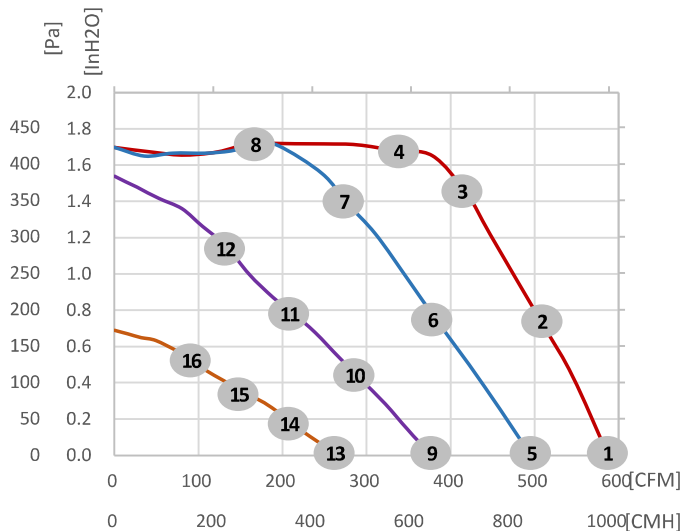
Specification:

- Material: Impeller: Plastic
Volute: Plastic
Stator: BMC
- Number of blades: 57
- Direction of rotation: Clockwise viewed toward impeller
- Insulation class: "B"
- Installation position: Any
- Degree of protection: IP54
- Condensation drainage holes: None
- Mode: Continuous operation (S1)
- Mounting: Maintenance-free ball bearings
- Technical features: Controller input PWM/0-10V
- Cable exit: Variable
- Protection class: I (with customer connection of protective earth)
- Conformity with standards: EN 60335-1
- Weight: 2.2KG



Performance:

Nominal data	Platform	Curve	Nominal voltage range	Frequency	Speed*	Max input power*	Max input current*	Operating ambient temp	Life time	PWM	PWM/0-10V
Type	Motor		VAC	Hz	rpm	W	A	°C	Hr		
ECO150AD235072220	OD72	A	230	50	1740	170	1.32	-20 to +40	40,000		●



	n (rpm)	P1 (W)	I (A)	η (%)	P (Pa)	P (InH2O)	Q (CMH)	Q (CFM)
①	1737	170	1.31	—	0	0	998	587
②	2061	170	1.31	24.5	173	0.68	867	510
③	2400	170	1.31	40.4	349	1.37	713	419
④	2508	141	1.12	45.3	418	1.64	568	334
⑤	1459	100	0.81	—	0	0	841	494
⑥	1875	100	0.81	32.6	181	0.71	650	382
⑦	2291	100	0.81	43.9	336	1.32	470	276
⑧	2506	85	0.68	40.2	426	1.67	292	171
⑨	1147	47	0.40	—	0	0	641	377
⑩	1444	47	0.40	30.2	104	0.40	494	290
⑪	1734	47	0.40	40.5	189	0.74	362	212
⑫	2081	47	0.40	37.2	279	1.09	225	132
⑬	817	21	0.19	—	0	0	450	264
⑭	1018	21	0.19	22.1	47	0.18	352	207
⑮	1201	21	0.19	29.4	86	0.33	256	150
⑯	1511	21	0.19	23.5	139	0.54	125	73

150mm Dual Inlet Blower

Drawing:

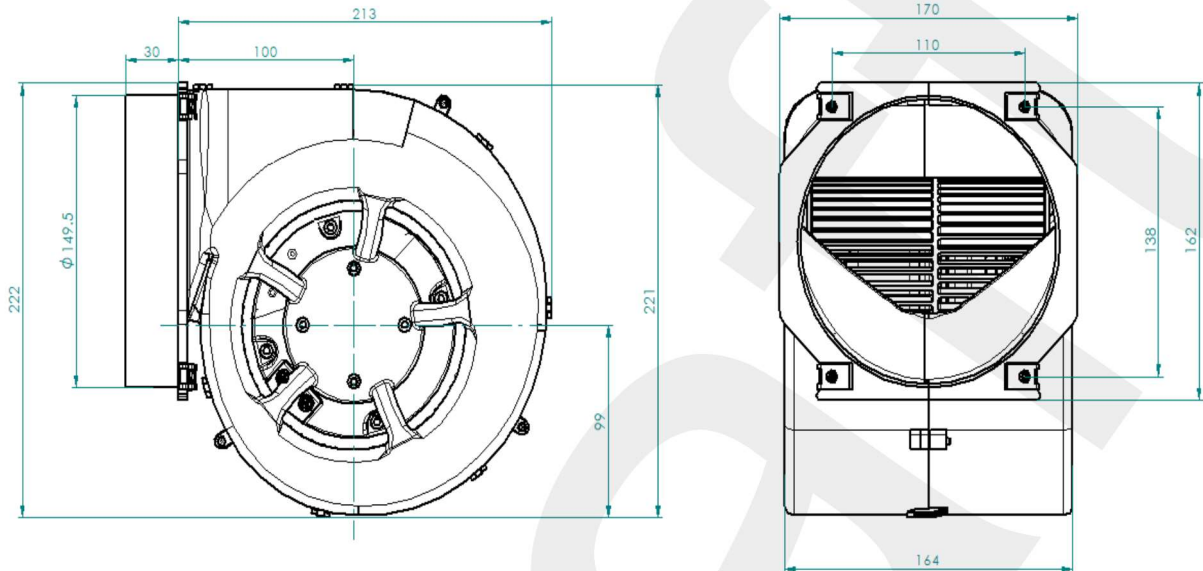
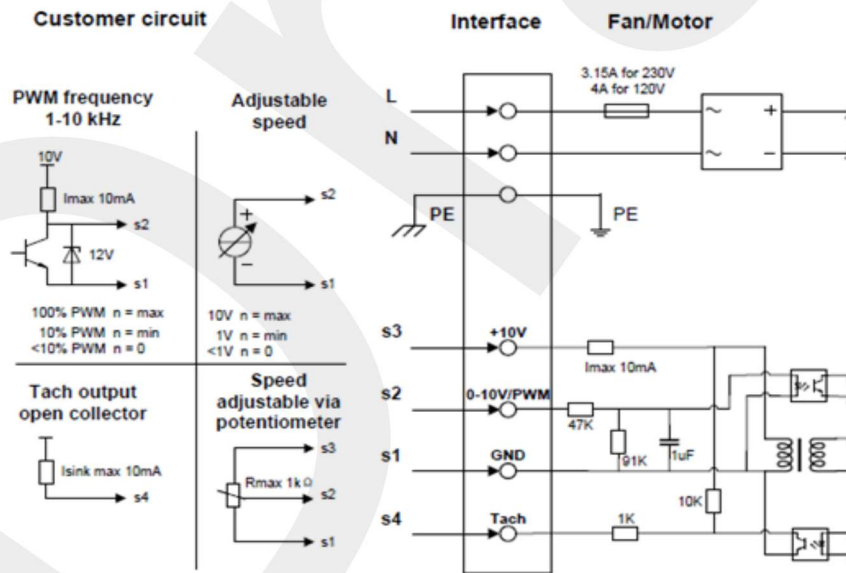


Diagram:



NO.	DESIGNATION	COLOR	ASSIGNMENT
1	L	BROWN	POWER SUPPLY
2	N	BLUE	NEUTRAL
3	PE	GREEN/YELLOW	PROTECTIVE EARTH
4	GND	BLACK	GND CONNECTION FOR CONTROL INTERFACE, SELV
5	PWM/0-10V	YELLOW	CONTROL INPUT PWM/0-10V, SELV
6	TACHO	WHITE	TACHO OUT, SELV
7	+10V	RED	VOLTAGE OUTPUT 10 VDC, SELV