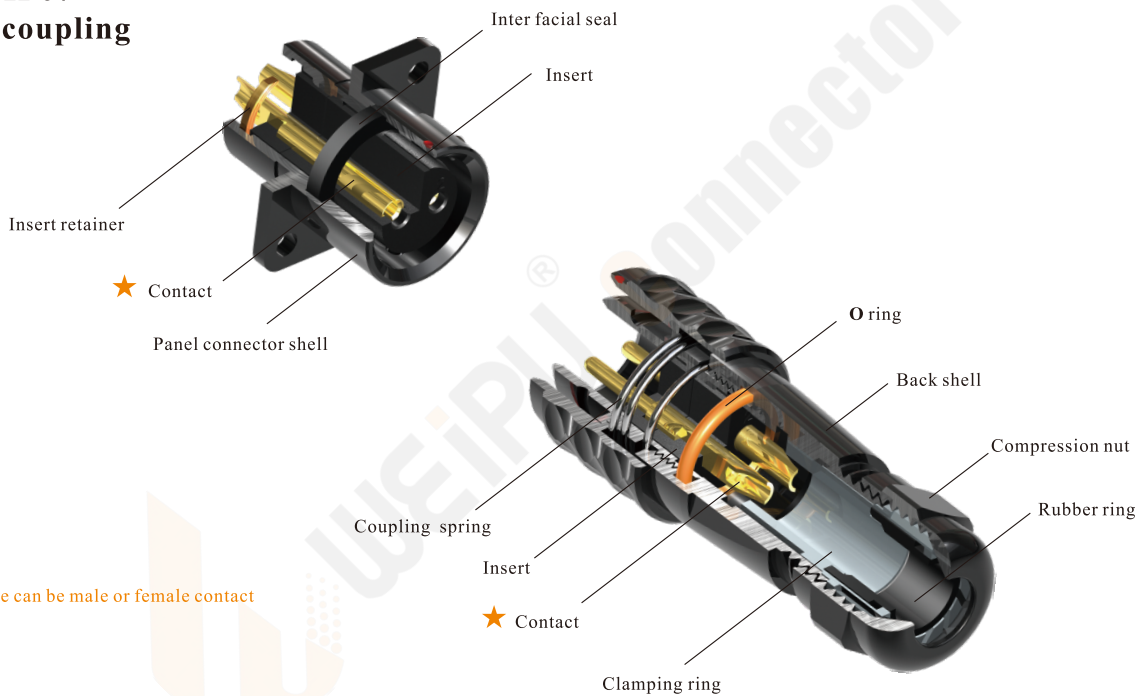


IP67

03



- SA Series IP67
- Push-pull coupling



Material and spec

Coupling	Push-pull
Shell material	Anodized aluminium
Insert material	PPS, max temperature 260 °C
Contact material	Brass with gold plating
Termination	Solder: SA6, SA8, SA10, SA12, SA16, SA20, SA24, SA28 Crimp: SA16, SA20, SA24, SA28 Screw: SA20, SA24, SA28
Cable outer diameter range	SA6: I:2-3mm, II:3-4mm SA12: I: 4-6.5mm , II: 5-8mm SA24:10-14mm SA8: I:3-4mm, II: 4-5mm SA16: I: 5-8mm , II: 8-12mm SA28:I:9-13mm, II :13-16mm SA10:I:3-4mm, II:4-6.5mm SA20: I: 5-9mm, II: 8-12mm
IP rating	IP67
Mating cycle	500, USB:1000
Temperature range	-40°C ~ +85°C; SA24 Data: -20°C ~ +70°C
Insulation resistance	2000 MΩ

SA24 Series



SA24

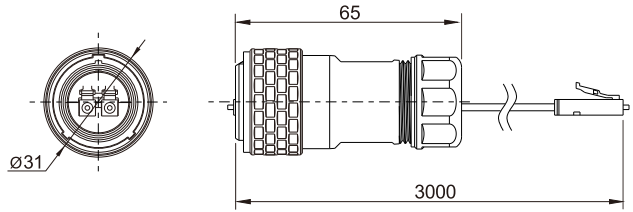


Plug with LC adapter
Mate with SA2411, SA2412, SA2413

SA2410/PLC

- Wire length:
- 0.5m
 - 1.0m
 - 1.5m
 - 2.0m
 - 3.0m

- Colour:
- B: Black
 - S: Silver
 - L: Blue (special order)
 - G: Green (special order)
 - R: Red (special order)

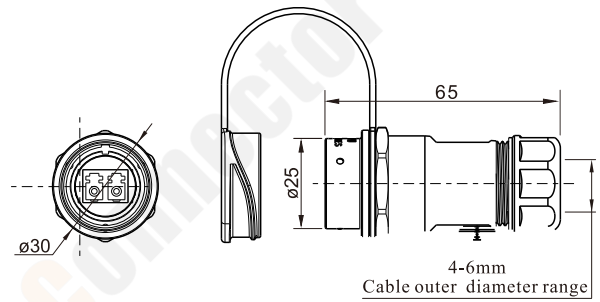


★ Wire length can be customized



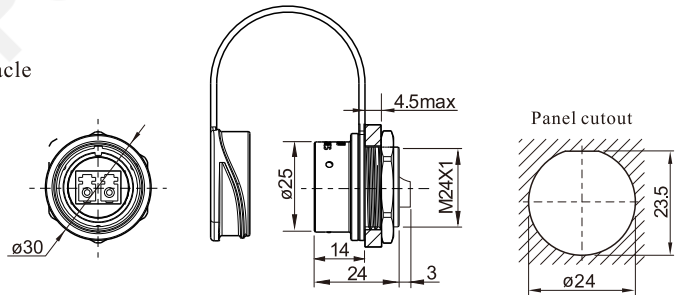
Receptacle with LC adapter
Mate with SA2410

SA2411/SLC



Rear-nut mount receptacle with LC adapter
Mate with SA2410

SA2412/SLC



Square flange receptacle with LC adapter
Mate with SA2410

SA2413/SLC

