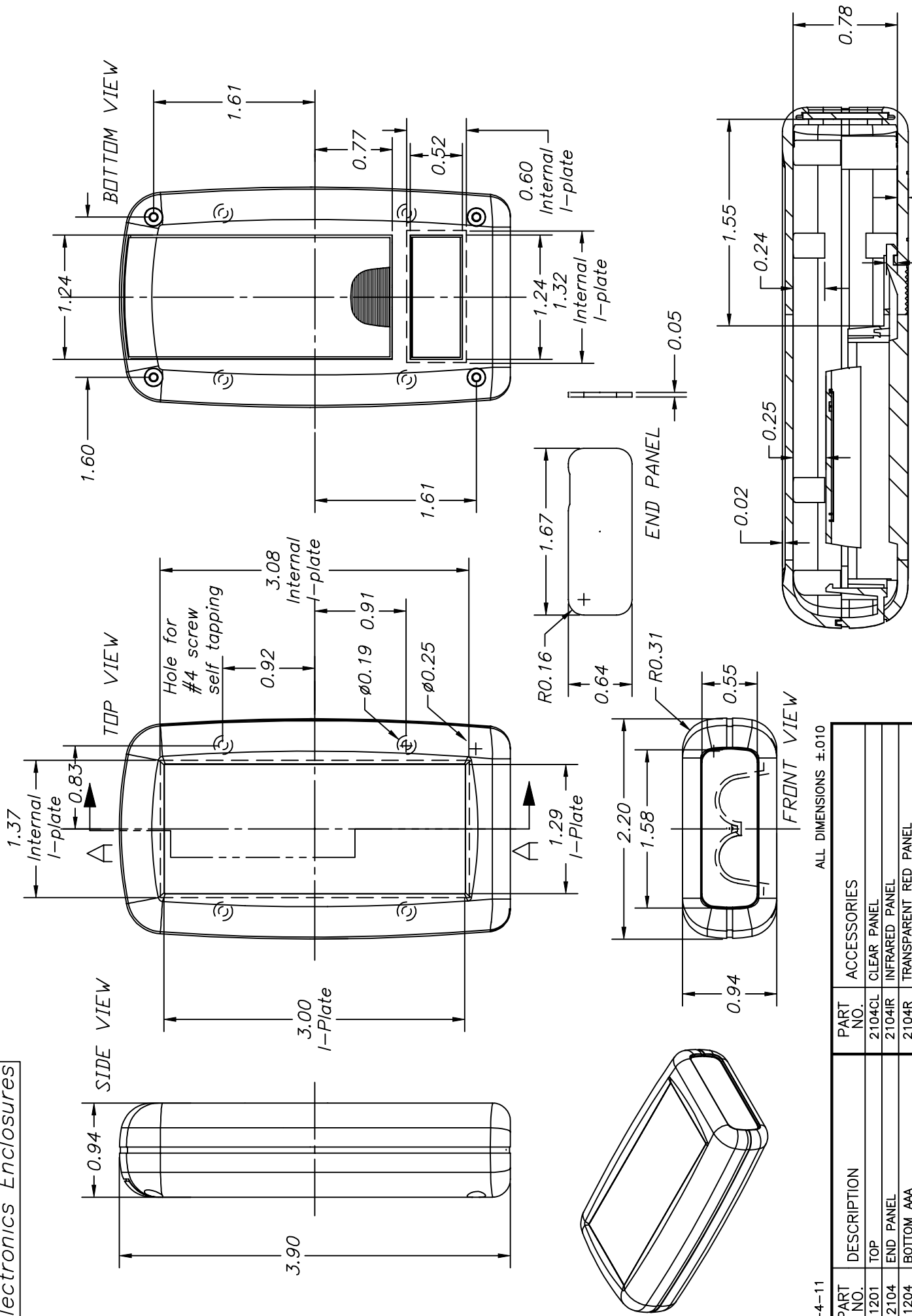


NOTES:

1. WHEN MACHINE OR I PLATES MODIFICATIONS ARE REQUIRED, USE THE CENTER OF THE ENCLOSURE TO DIMENSION.



ALL DIMENSIONS  $\pm 0.10$

PART NO.	DESCRIPTION	PART NO.	ACCESSORIES
1201	TOP	2104CL	CLEAR PANEL
1204	END PANEL	2104IR	INFRA-RED PANEL
1204	BOTTOM AAA	2104R	TRANSPARENT RED PANEL
6003	SCREW (4)		
71	BATTERY CONTACT (1)		
1205	BATTERY COVER		
76	BATTERY CONTACT (2)		

### SECTION A-A