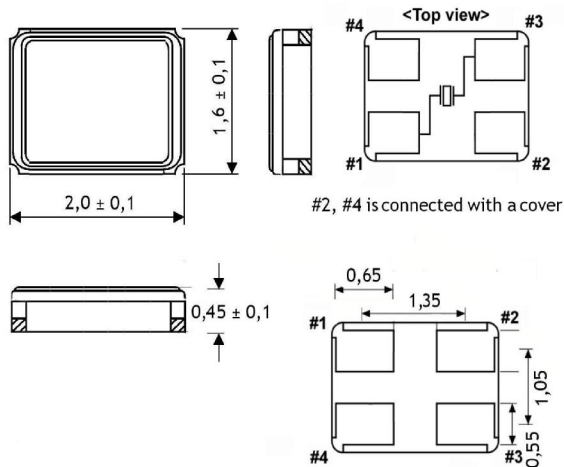


Quartz Crystal

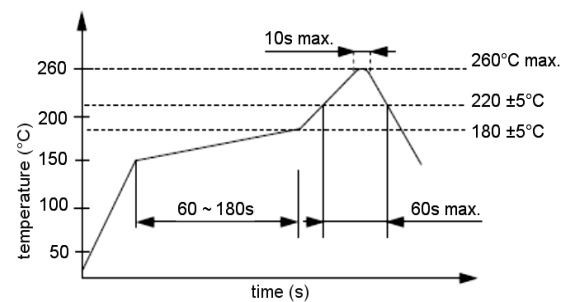
SMD-version

part no.	12.85533
model	KX – 5T
frequency	25.0 MHz
mode	fundamental
operating temperature	-40° ~ +85°C
frequency tolerance at +25°C	±30 ppm
temperature tolerance -40° ~ +85°C	±50 ppm
load capacitance C_L	8 pF
series resistance R_1 max.	100 Ohm
aging at +25°C (first year) max.	±2 ppm
shunt capacitance C_0 max.	3.5 pF
drive level	50 μ W typ., 100 μ W max.
contents of reel	1000 pcs.

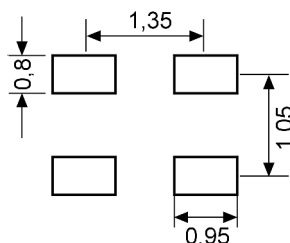
Dimensions (mm):



Reflow soldering condition:



Suggested soldering pad:



Tape specification:

