

# 2J2115K-B07H

868/915 MHz ISM Wall Mount

## Key Features

### Cable 1: 868/915 MHz

- 863-870 MHz

- 902-928 MHz

Wall Mount

High Performance

Ground Plane Independent

Customizable Cable and Connector

Dimensions 271 × 30 × 115 (219 × Ø 16) mm



## 1. Antenna and electrical specifications

Cable 1

Parameters	868/915 MHz ISM Antenna	
<b>Standards</b>	ZigBee, ISM, SigFox, LoRa	
<b>Band (MHz)</b>	868	915
<b>Frequency (MHz)</b>	863-870	902-928
<b>Return Loss (dB)</b>	~-15.5	~-12.8
<b>VSWR</b>	~1.4:1	~1.6:1
<b>Efficiency (%)</b>	~63.2	~62.4
<b>Peak Gain (dBi)</b>	~3.4	~3.7
<b>Average Gain (dB)</b>	~-2.0	~-2.0
<b>Impedance (Ohm)</b>	50	
<b>Polarisation</b>	Linear	
<b>Radiation Pattern</b>	Omni-Directional	
<b>Max. Input Power (W)</b>	50	
<b>Connector Type</b>	SMA-Male Standard (Other Connectors Available)	
<b>Cable Length</b>	300 cm Standard (Any Cable Length Available)	
<b>Cable Type</b>	LL195 Standard (Other Cables Available)	

### Antenna Measurement Conditions:

Free Space

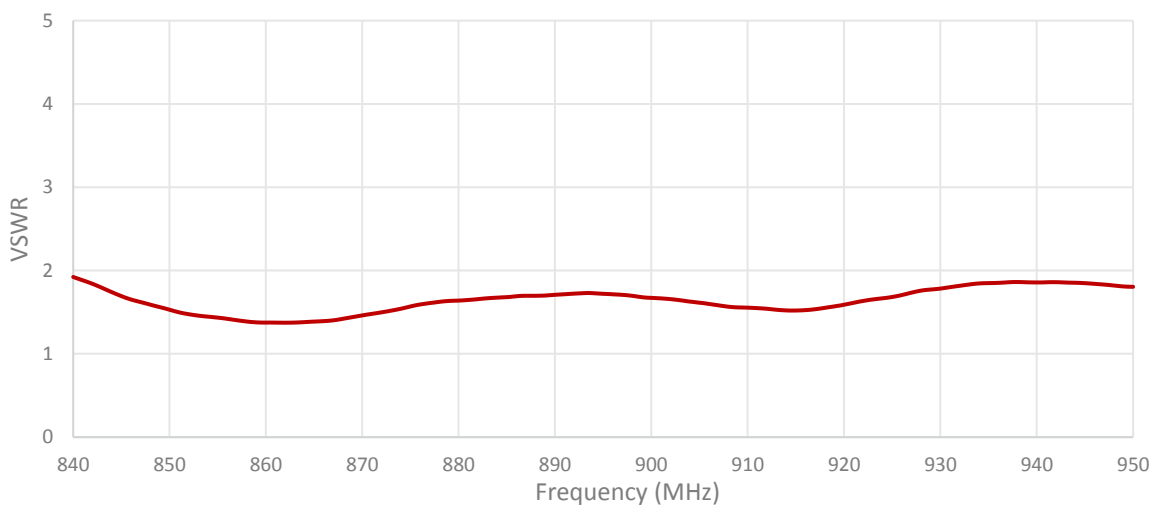
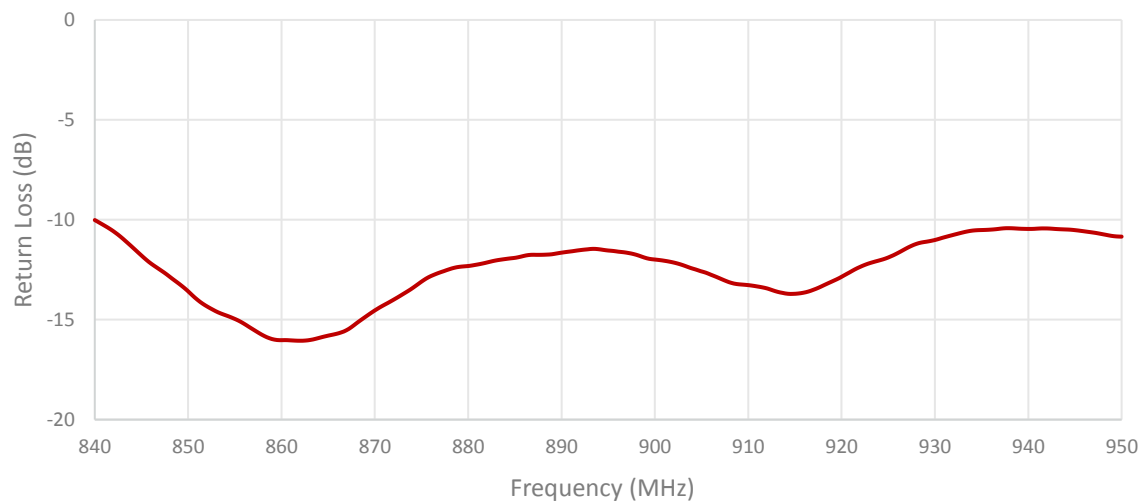
200 cm LL195 Cable

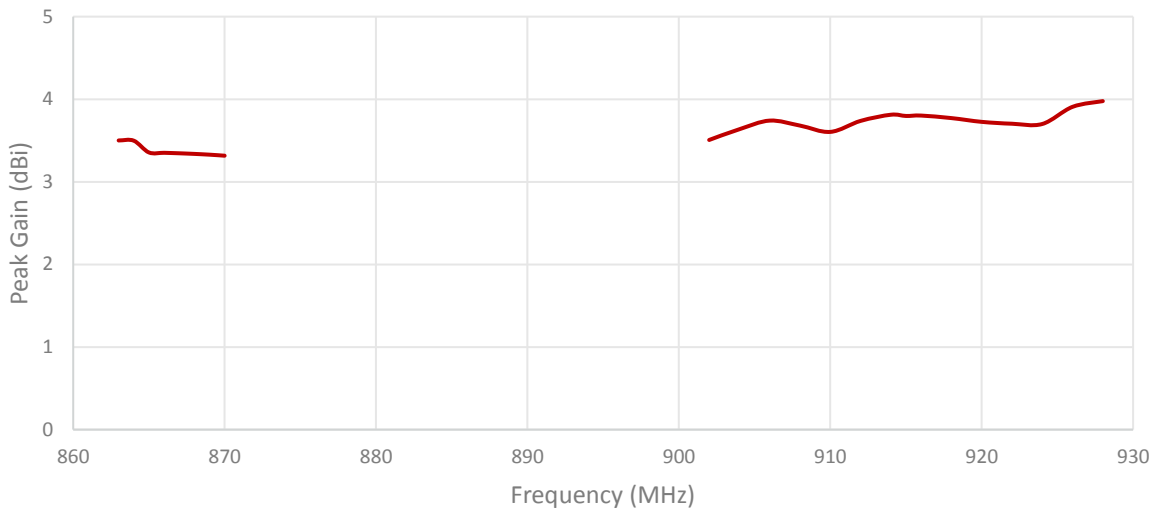
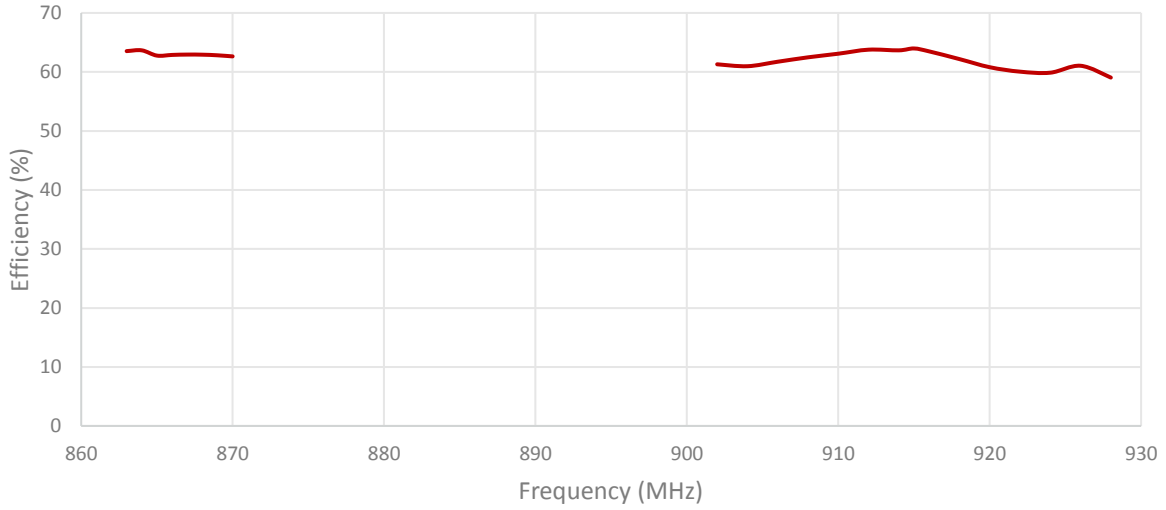
Measured in Certified CTIA 3D Anechoic Chamber

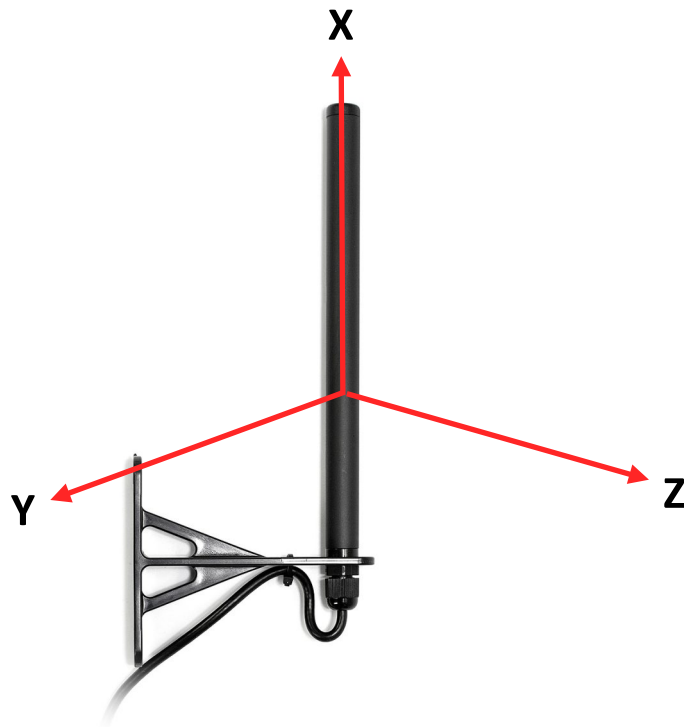
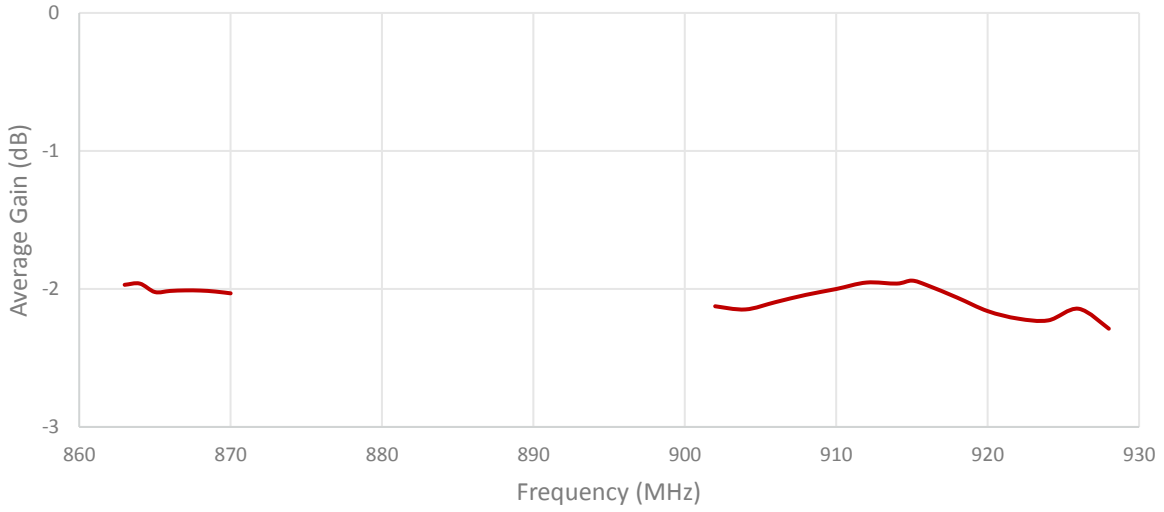
## 2. Mechanical and environmental specifications

Specifications	2J2115K-B07H
<b>Mounting Type</b>	Wall Mount
<b>Dimensions (mm)</b>	271 × 30 × 115 (219 × Ø 16)
<b>Radome</b>	ASA
<b>Radome color</b>	Black
<b>Bracket</b>	ASA
<b>Operating Temperature (C)</b>	-40 to +85
<b>Storage Temperature (C)</b>	-40 to +85
<b>Substance Compliance</b>	RoHS

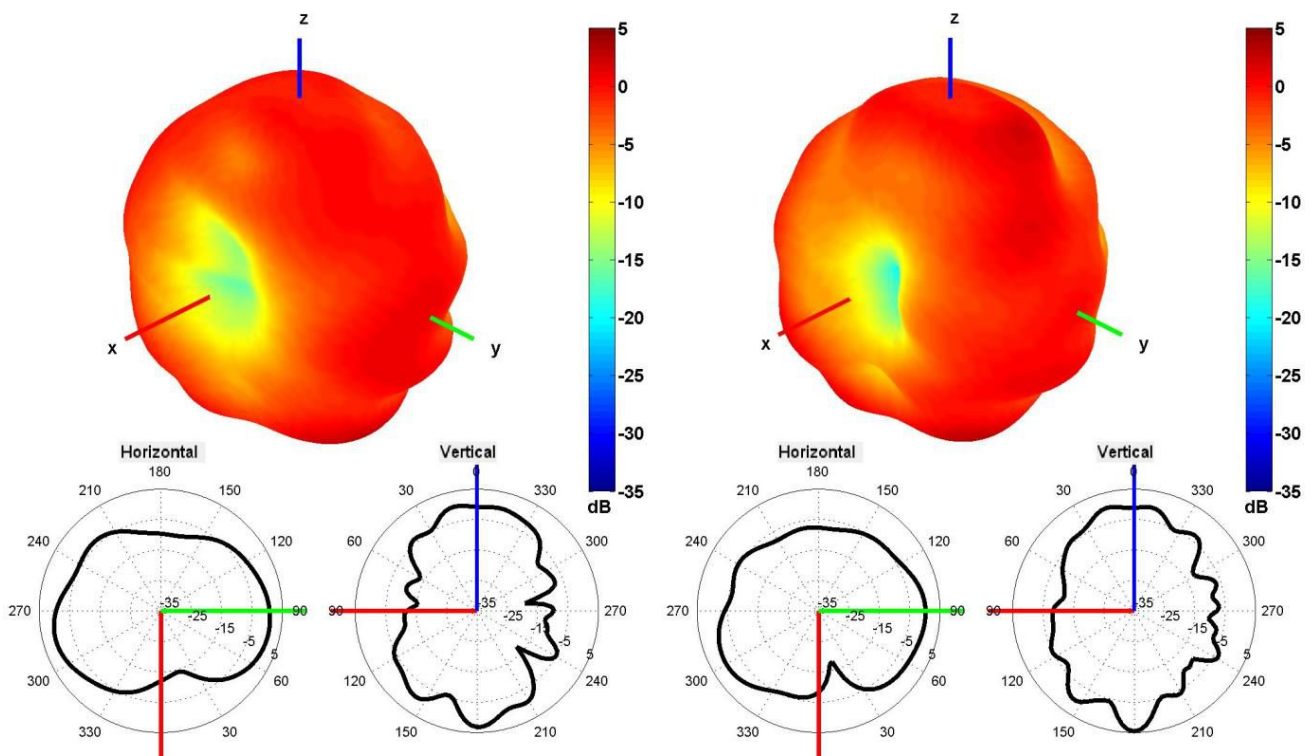
### 3. Antenna parameters





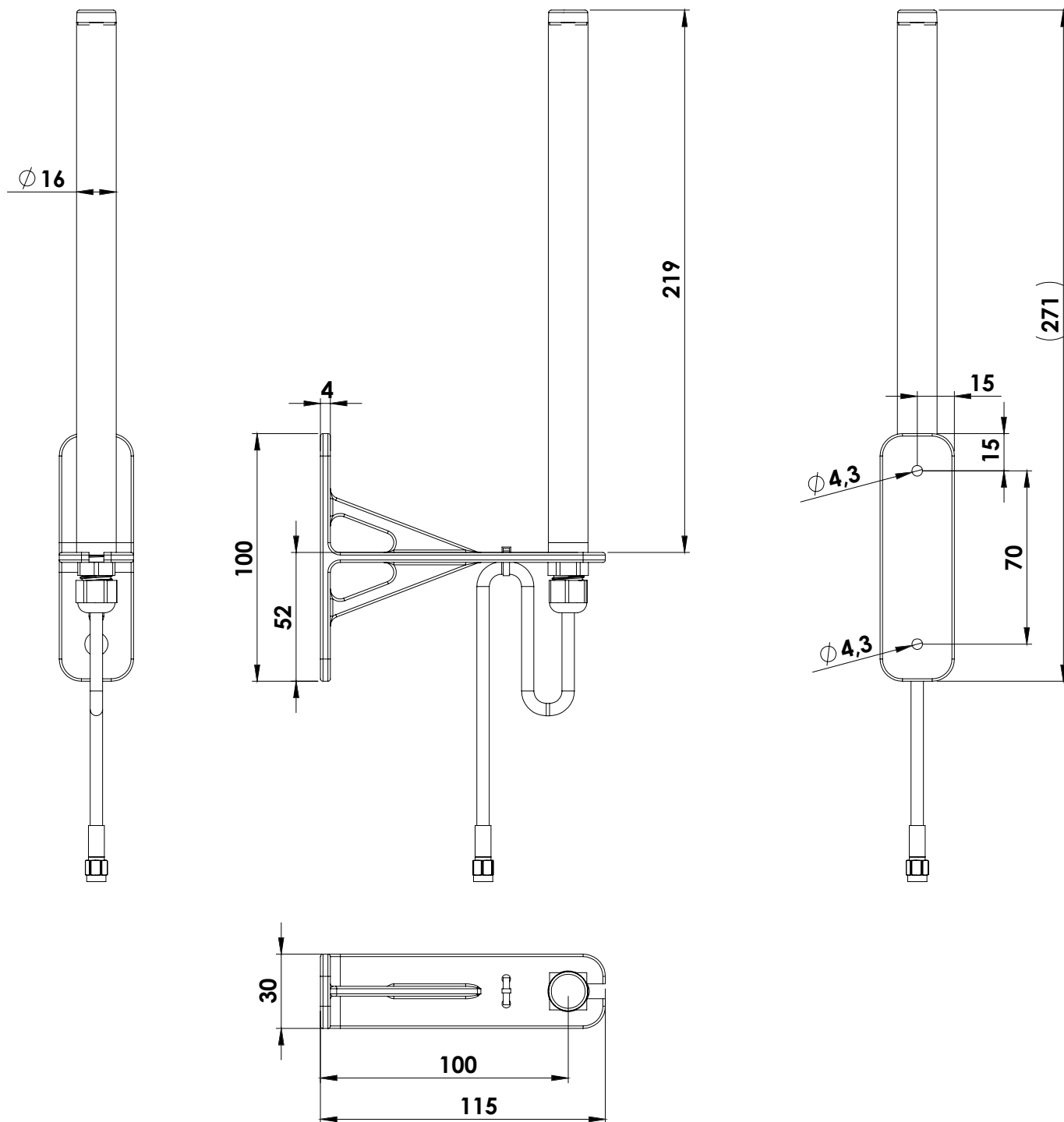


Radiation pattern reference



868 and 915 MHz Radiation pattern

## 4. Antenna drawings



## 5. Antenna Images

