

2J2115B-B07H

868/915 MHz ISM Wall Mount

Key Features

868/915 MHz ISM

- 863-870 MHz

- 902-928 MHz

Wall Mount

High Performance

Ground Plane Independent

Customized Cable and Connector

Dimensions 272 × 30 × 115 (220 × Ø 16) mm

Certificates: IP67



1. Antenna and electrical specifications

Parameters	868/915 MHz ISM Antenna	
Standards	ZigBee, ISM, SIGFOX, LoRa	
Band (MHz)	868 MHz	915 MHz
Frequency (MHz)	863-870	902-928
Return Loss (dB)	~-17.6	~-16.9
VSWR	~1.3:1	~1.4:1
Efficiency (%)	~65.1	~71.3
Peak Gain (dBi)	~3.2	~2.9
Average Gain (dB)	~-1.9	~-1.5
Impedance (Ohm)	50	
Polarisation	Linear	
Radiation Pattern	Omni-Directional	
Max. Input Power (W)	25	
Connector Type	Most RF Connectors (SMA-Male Standard)	
Cable Length	Any Cable Length (300cm Standard)	
Cable Type	Other Cables Available (RG58 Standard)	

Antenna Measurement Conditions:

Free Space

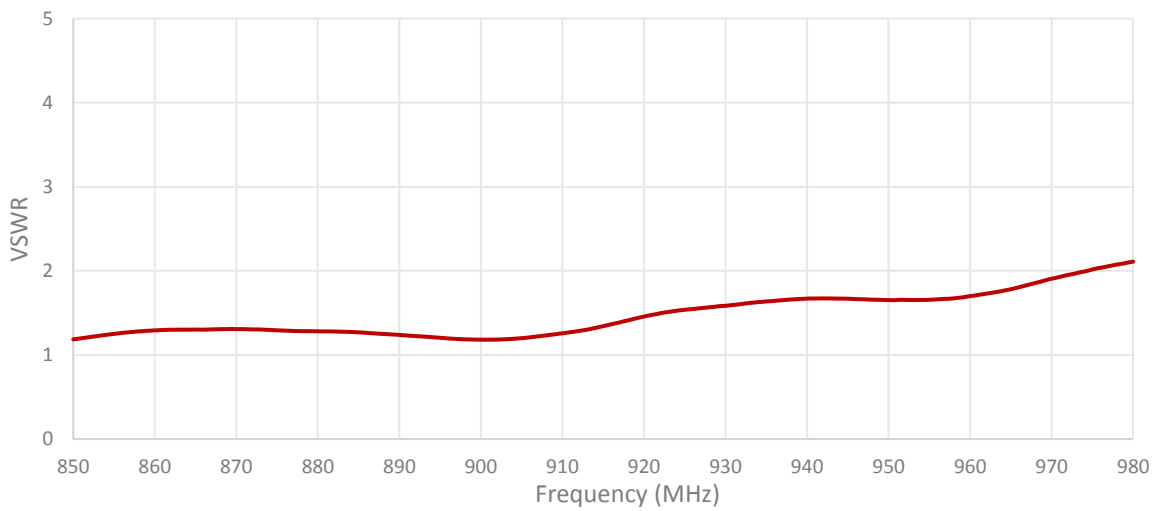
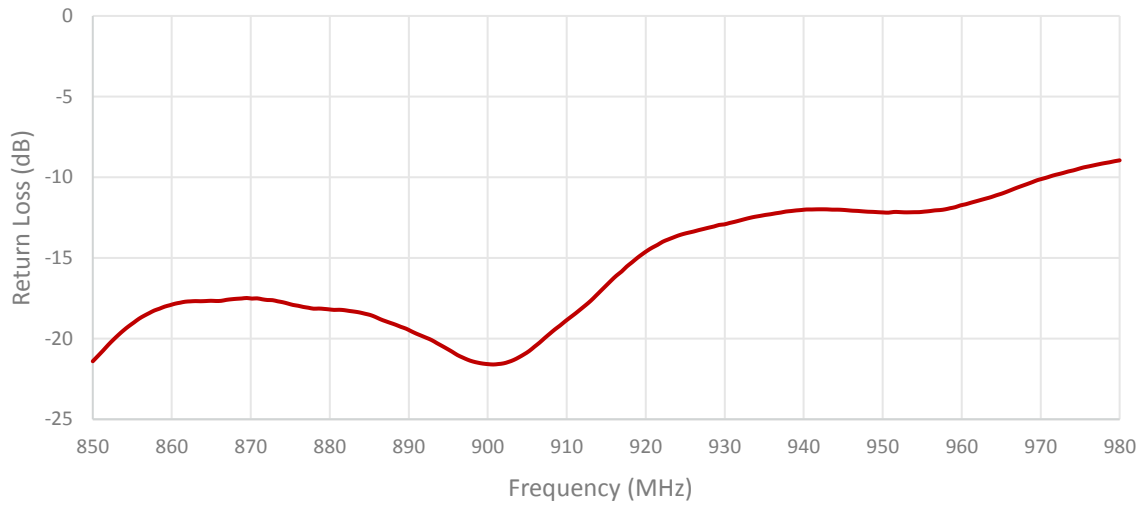
200 cm RG58 Cable

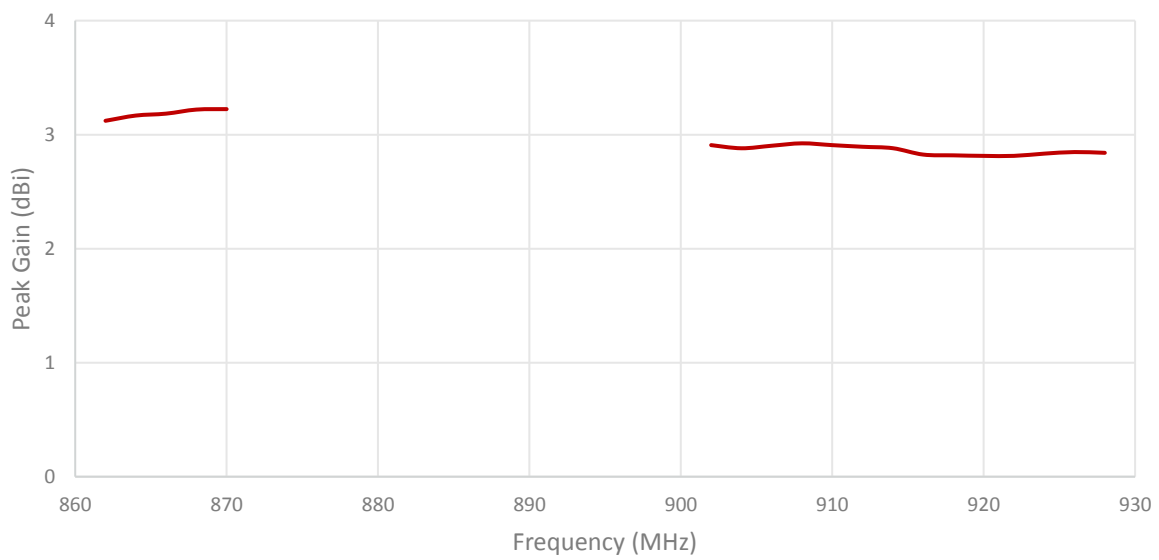
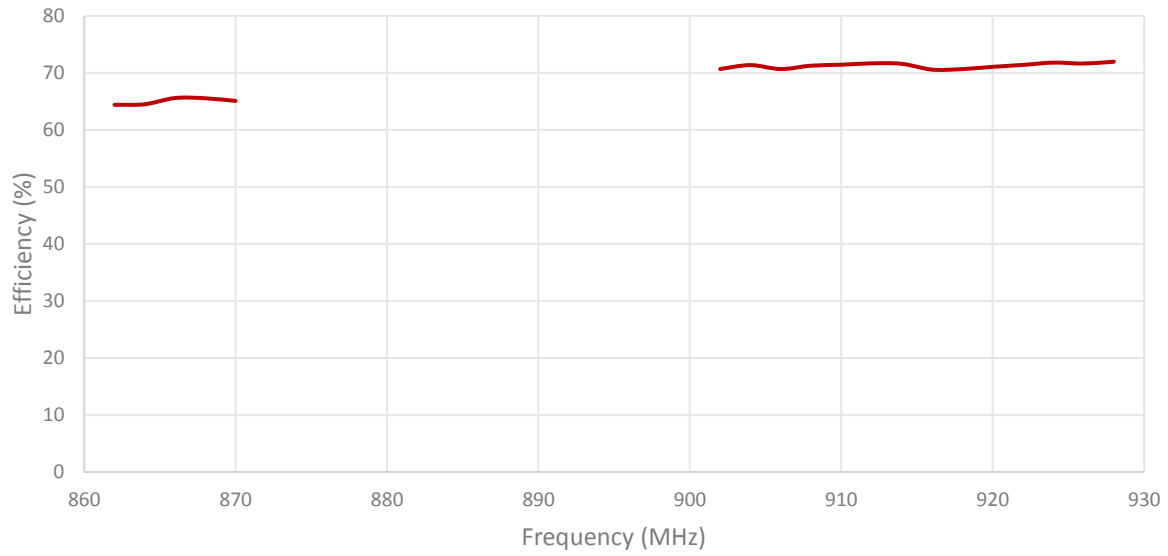
Measured in Certified CTIA 3D Anechoic Chamber

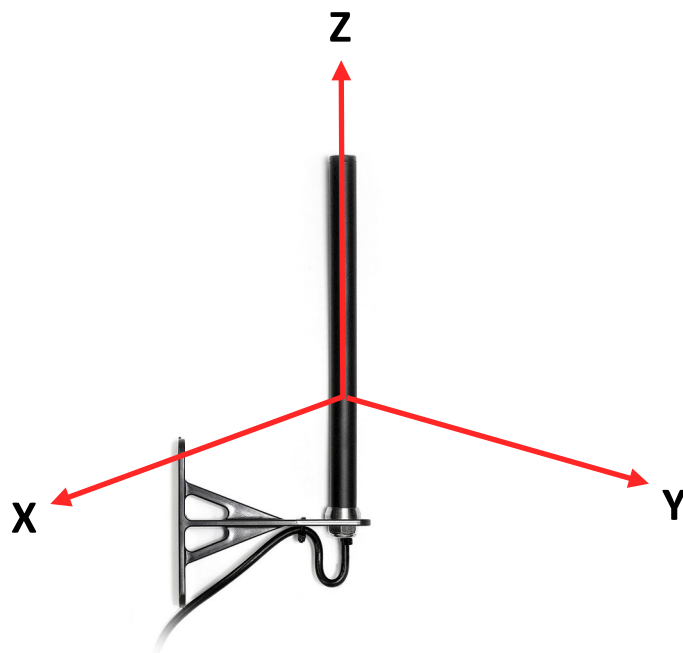
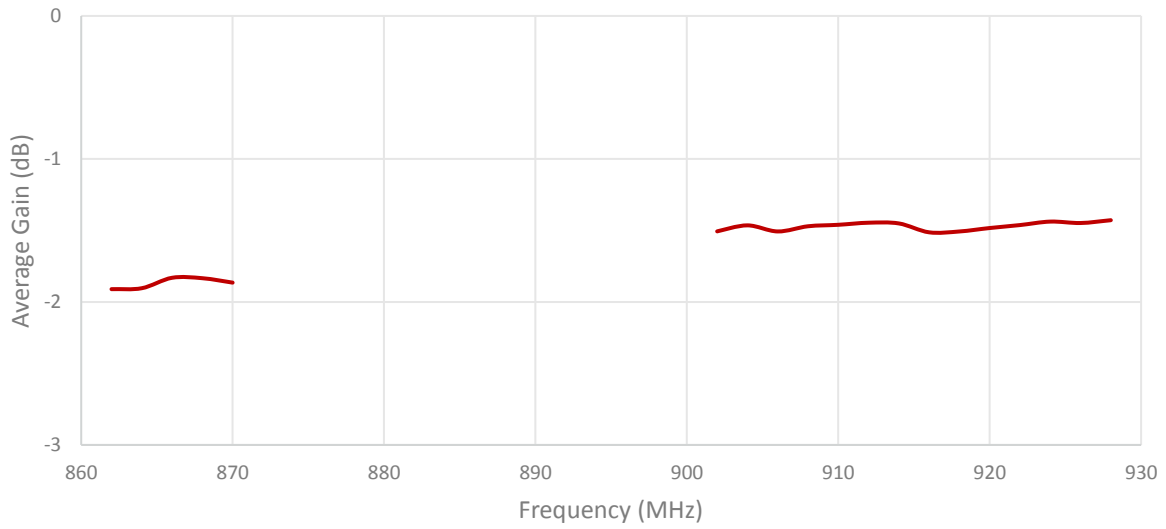
2. Mechanical and environmental specifications

Specifications	2J2115B-B07H
Mounting Type	Wall Mount
Dimensions (mm)	272 × 30 × 115 (220 × Ø 16) mm
Radome	ASA
Radome color	Black
Antenna Base	Brass
Bracket	ASA
Operating Temperature (C)	-40 to +85
Storage Temperature (C)	-40 to +85
Substance Compliance	RoHS
Certificates	IP67

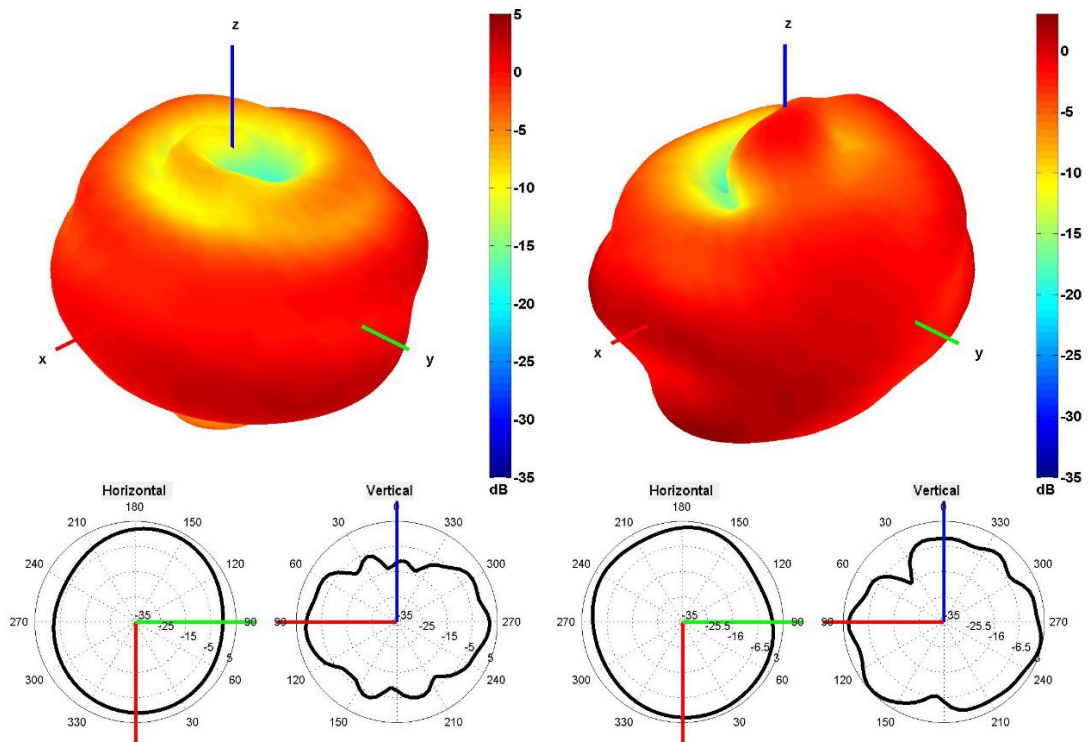
3. Antenna parameters





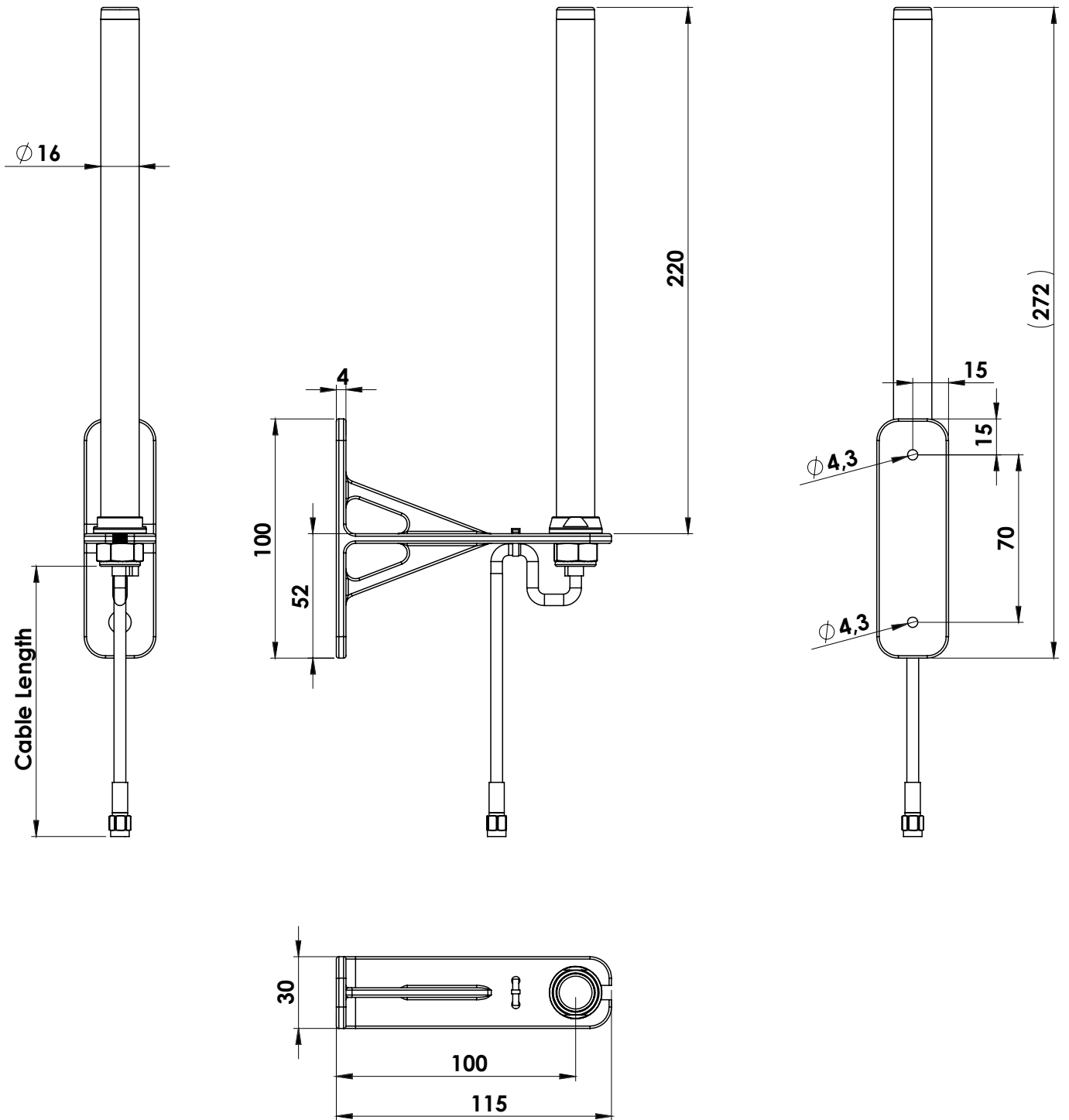


Radiation pattern reference



868 and 915 MHz Radiation pattern

4. Antenna drawings



5. Antenna Images

