

## 2J2115B-915-B07H

915 MHz ISM Wall Mount

### Key Features

**915 MHz ISM**

- 902-928 MHz

Wall Mount

High Performance

Ground Plane Independent

Customized Cable and Connector

Dimensions 272 × 30 × 115 (220 × Ø 16) mm

Certificates: IP67



## 1. Antenna and electrical specifications

| Parameters                  | 915 MHz ISM Antenna                    |
|-----------------------------|--|
| <b>Standards</b>            | ZigBee, ISM, SIGFOX, LoRa              |
| <b>Band (MHz)</b>           | 915 MHz                                |
| <b>Frequency (MHz)</b>      | 902-928                                |
| <b>Return Loss (dB)</b>     | ~-10.9                                 |
| <b>VSWR</b>                 | ~1.9:1                                 |
| <b>Efficiency (%)</b>       | ~70.7                                  |
| <b>Peak Gain (dBi)</b>      | ~3.1                                   |
| <b>Average Gain (dB)</b>    | ~-1.8                                  |
| <b>Impedance (Ohm)</b>      | 50                                     |
| <b>Polarisation</b>         | Linear                                 |
| <b>Radiation Pattern</b>    | Omni-Directional                       |
| <b>Max. Input Power (W)</b> | 25                                     |
| <b>Connector Type</b>       | Most RF Connectors (SMA-Male Standard) |
| <b>Cable Length</b>         | Any Cable Length (300cm Standard)      |
| <b>Cable Type</b>           | Other Cables Available (RG58 Standard) |

### Antenna Measurement Conditions:

Free Space

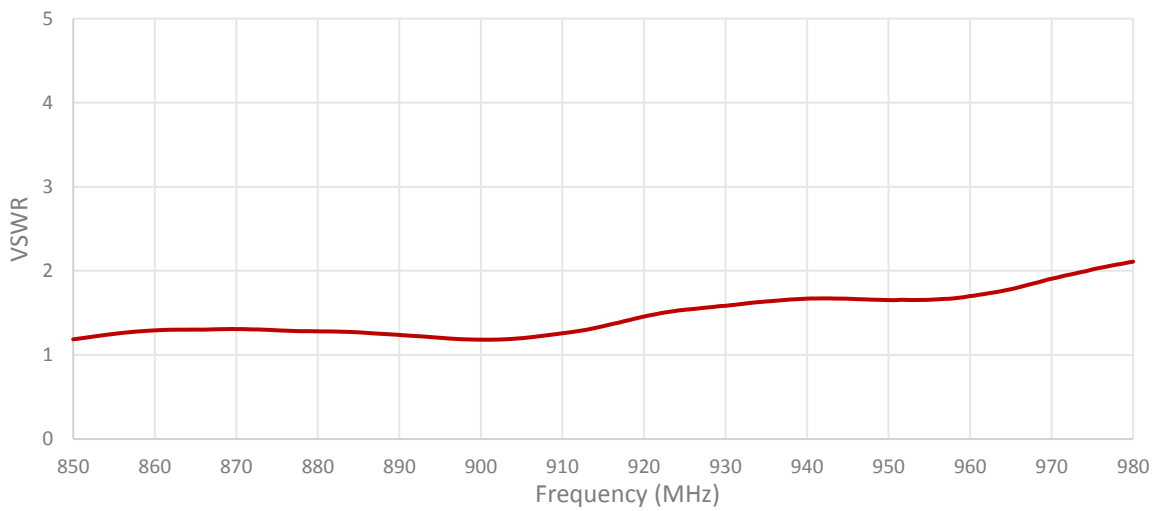
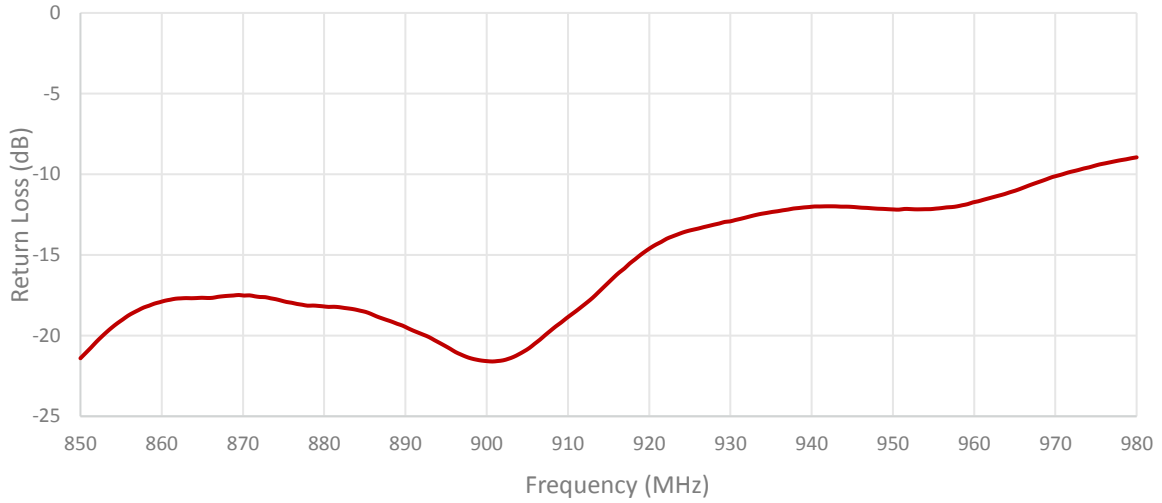
200 cm RG58 Cable

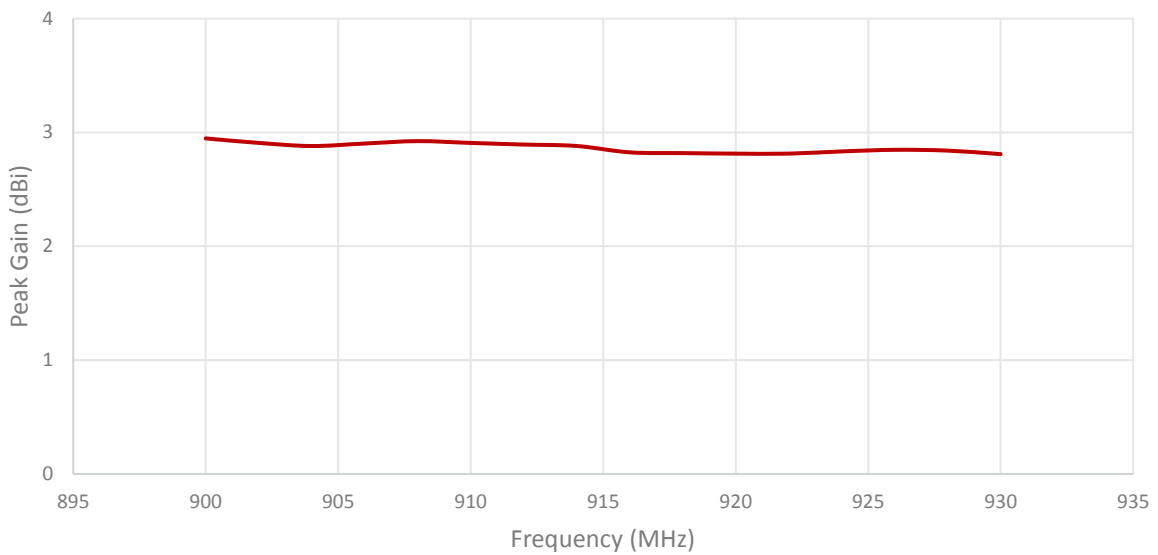
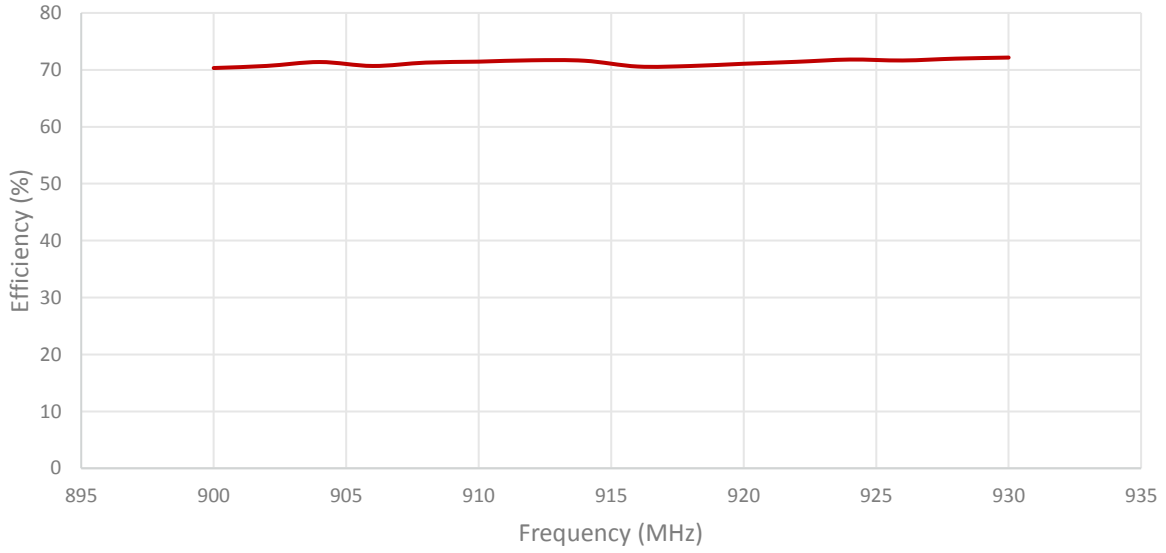
Measured in Certified CTIA 3D Anechoic Chamber

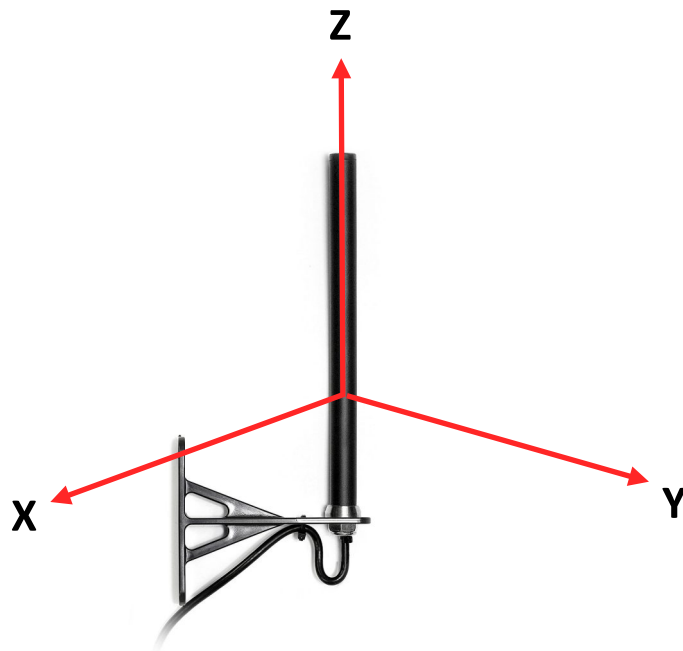
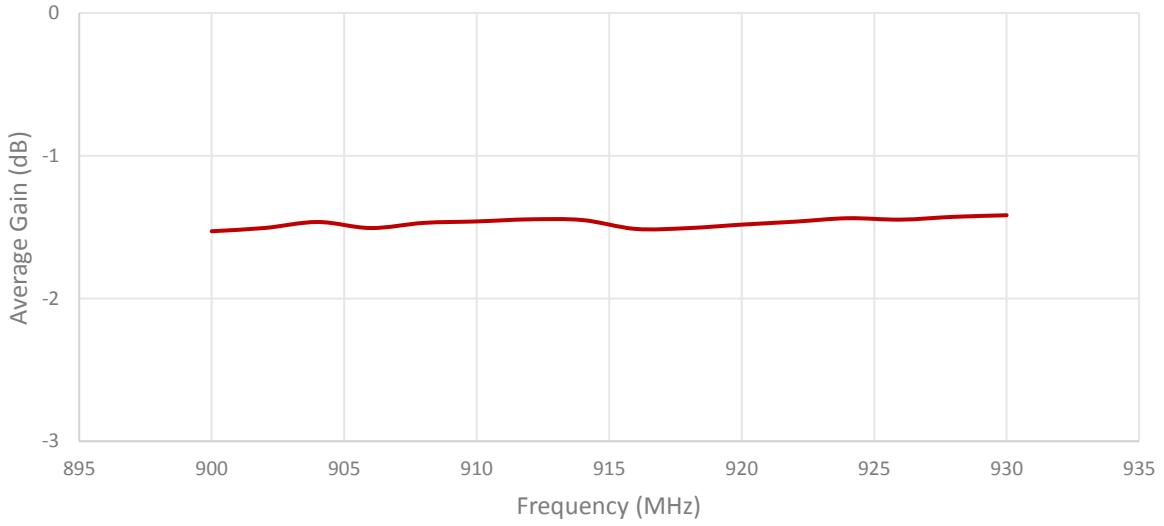
## 2. Mechanical and environmental specifications

| Specifications                   | 2J2115B-915-B07H               |
|----------------------------------|--------------------------------|
| <b>Mounting Type</b>             | Wall Mount                     |
| <b>Dimensions (mm)</b>           | 272 × 30 × 115 (220 × Ø 16) mm |
| <b>Radome</b>                    | ASA                            |
| <b>Radome color</b>              | Black                          |
| <b>Antenna Base</b>              | Brass                          |
| <b>Bracket</b>                   | ASA                            |
| <b>Operating Temperature (C)</b> | -40 to +85                     |
| <b>Storage Temperature (C)</b>   | -40 to +85                     |
| <b>Substance Compliance</b>      | RoHS                           |
| <b>Certificates</b>              | IP67                           |

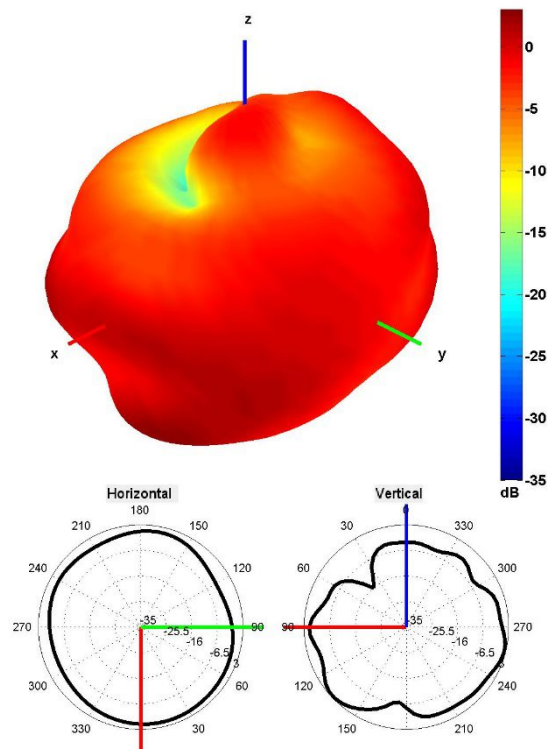
### 3. Antenna parameters





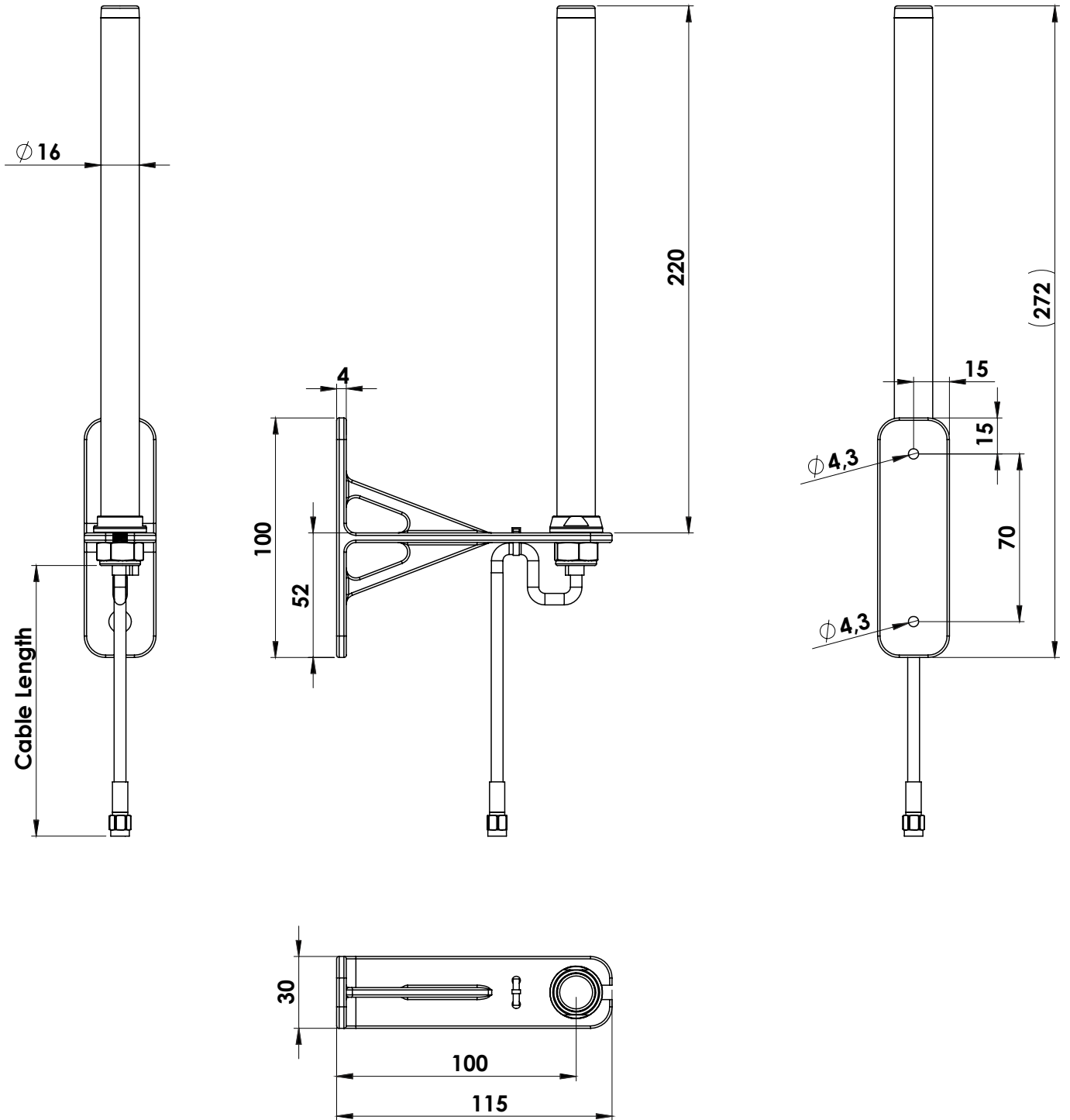


Radiation pattern reference



915 MHz Radiation pattern

## 4. Antenna drawings



## 5. Antenna Images

