

# 2J2115B-868-B07H

868 MHz ISM Wall Mount

## Key Features

**868 MHz ISM**

- 863-870 MHz

Wall Mount

High Performance

Ground Plane Independent

Customized Cable and Connector

Dimensions 272 × 30 × 115 (220 × Ø 16) mm

Certificates: IP67



## 1. Antenna and electrical specifications

Parameters	868 MHz ISM Antenna
<b>Standards</b>	ZigBee, ISM, SIGFOX, LoRa
<b>Band (MHz)</b>	868 MHz
<b>Frequency (MHz)</b>	863-870
<b>Return Loss (dB)</b>	~-13.6
<b>VSWR</b>	~1.5:1
<b>Efficiency (%)</b>	~65.2
<b>Peak Gain (dBi)</b>	~3.2
<b>Average Gain (dB)</b>	~-1.9
<b>Impedance (Ohm)</b>	50
<b>Polarisation</b>	Linear
<b>Radiation Pattern</b>	Omni-Directional
<b>Max. Input Power (W)</b>	25
<b>Connector Type</b>	Most RF Connectors (SMA-Male Standard)
<b>Cable Length</b>	Any Cable Length (300cm Standard)
<b>Cable Type</b>	Other Cables Available (RG58 Standard)

### Antenna Measurement Conditions:

Free Space

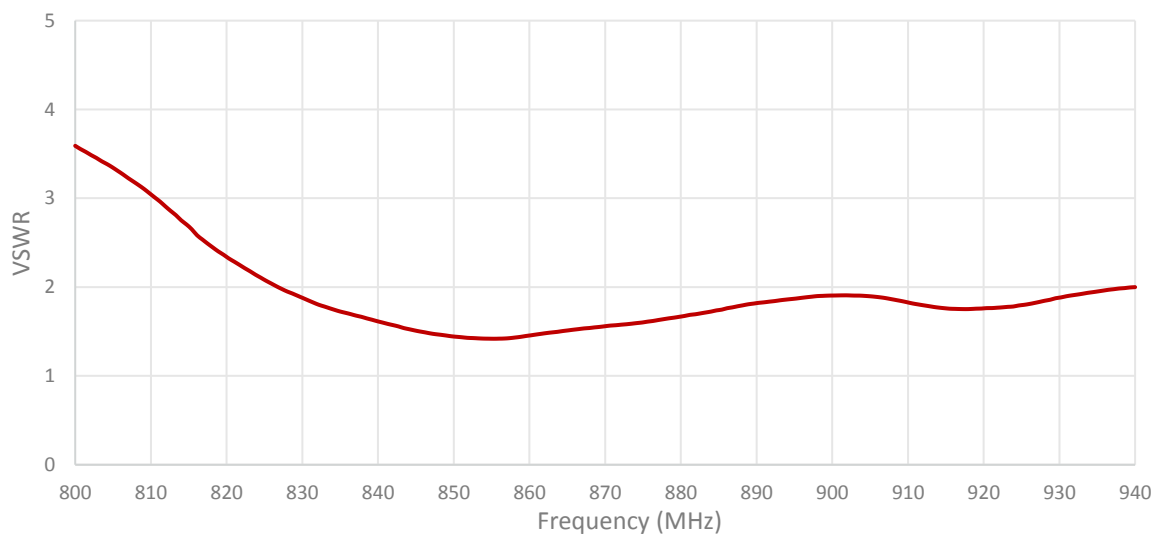
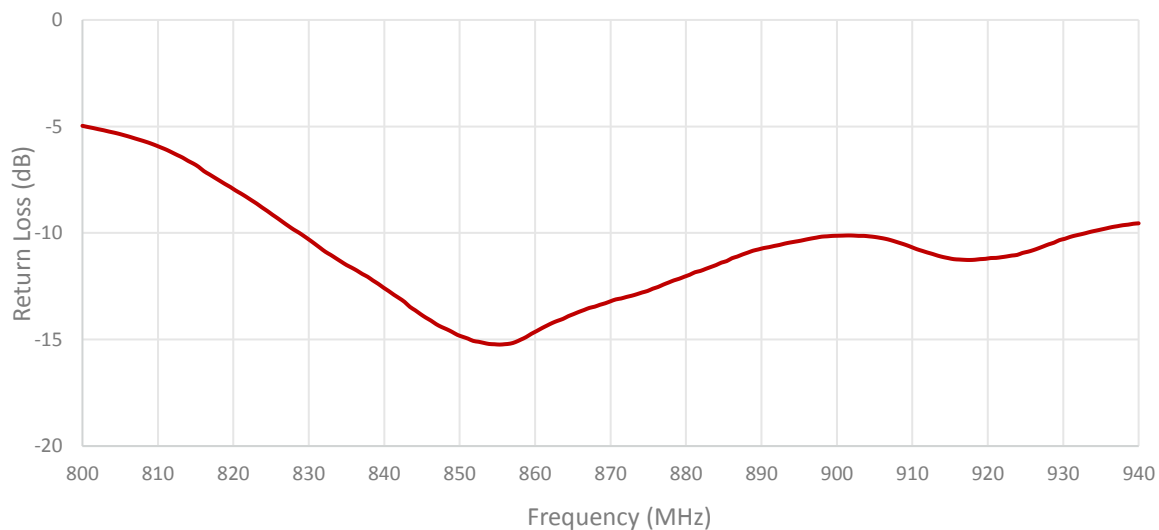
200 cm RG58 Cable

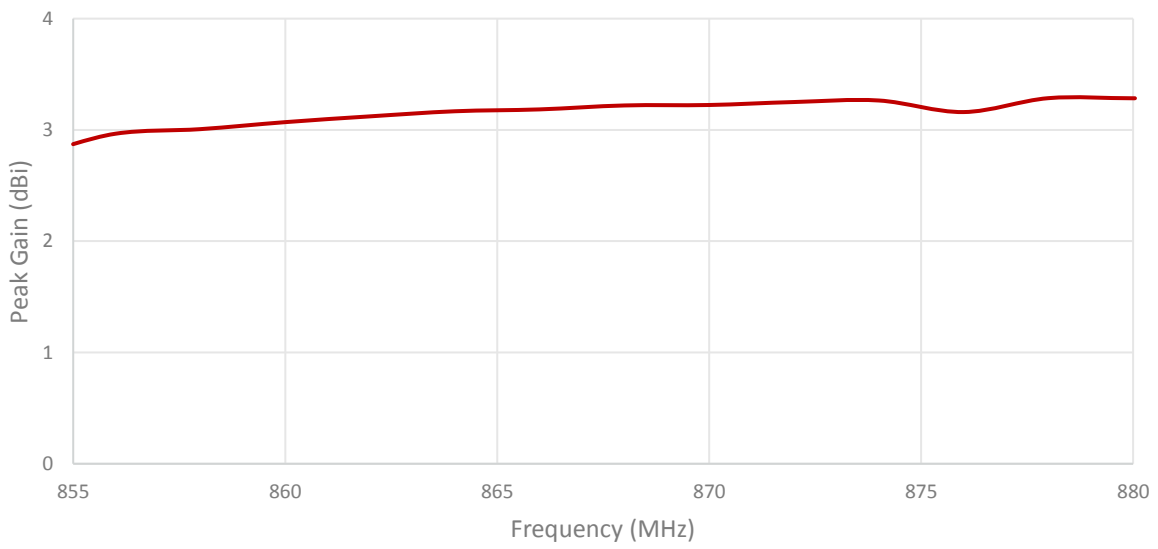
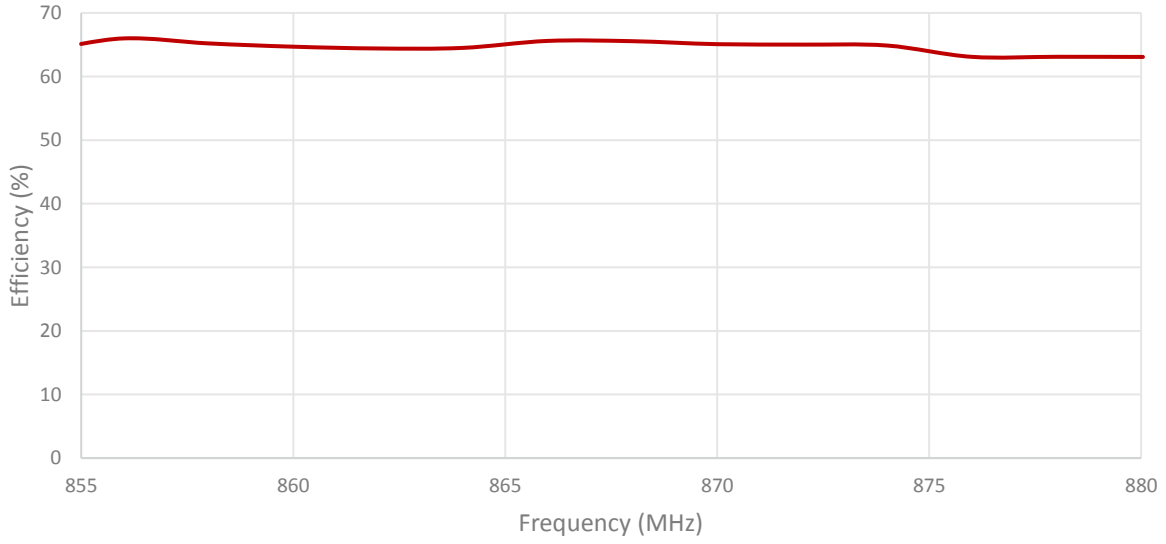
Measured in Certified CTIA 3D Anechoic Chamber

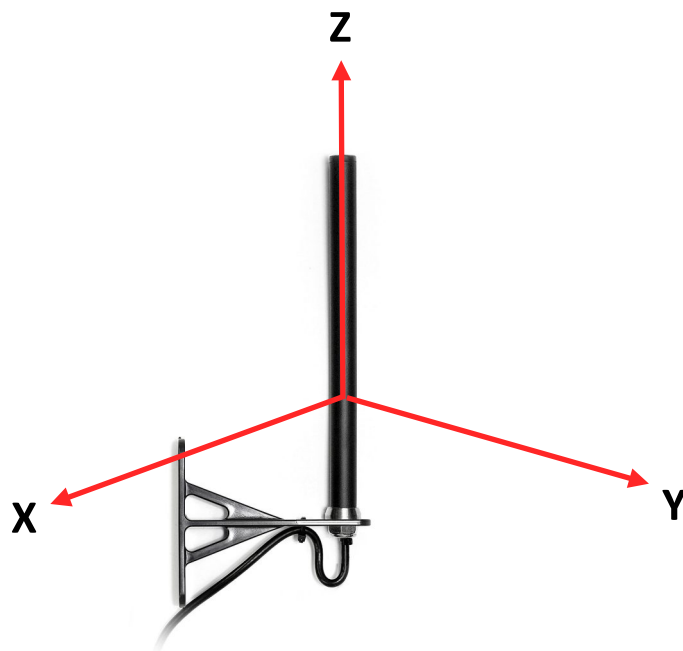
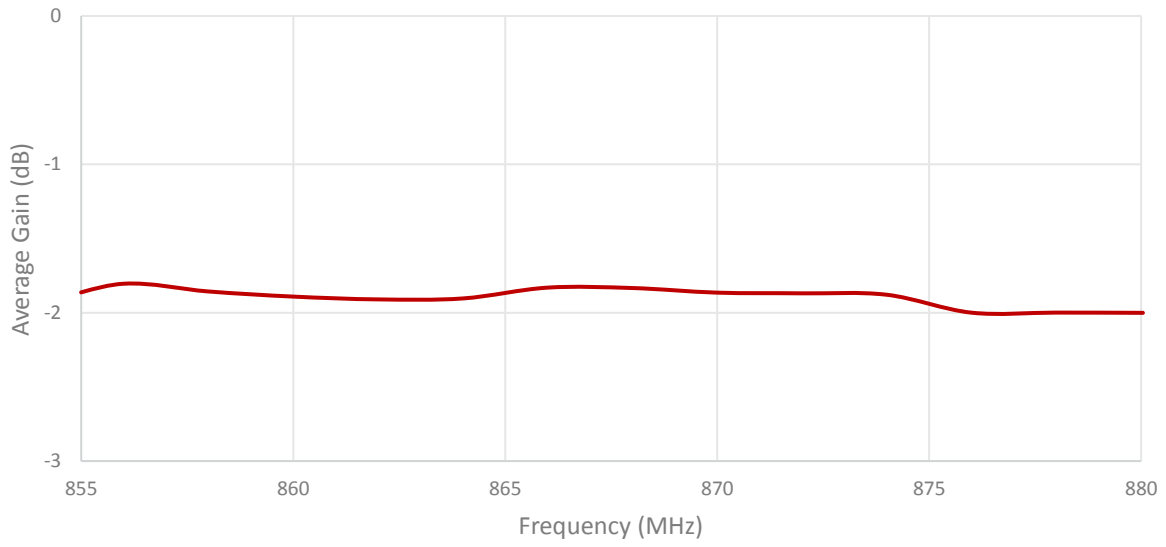
## 2. Mechanical and environmental specifications

Specifications	2J2115B-868-B07H
<b>Mounting Type</b>	Wall Mount
<b>Dimensions (mm)</b>	272 × 30 × 115 (220 × Ø 16) mm
<b>Radome</b>	ASA
<b>Radome color</b>	Black
<b>Antenna Base</b>	Brass
<b>Bracket</b>	ASA
<b>Operating Temperature (C)</b>	-40 to +85
<b>Storage Temperature (C)</b>	-40 to +85
<b>Substance Compliance</b>	RoHS
<b>Certificates</b>	IP67

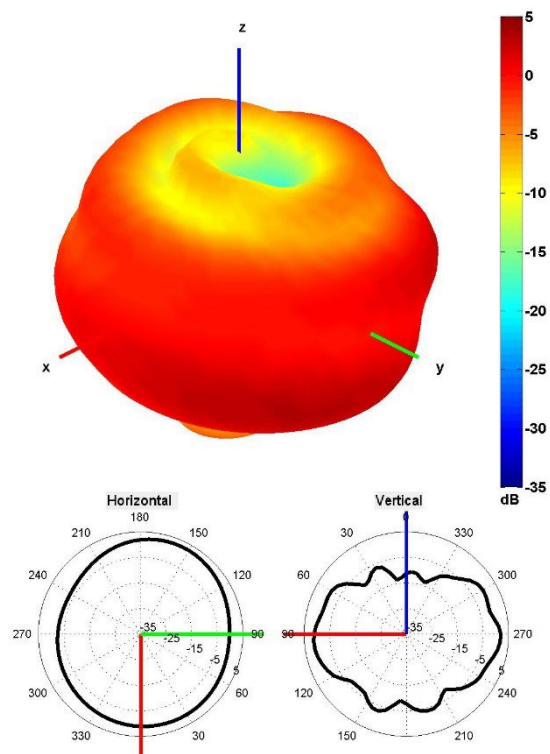
### 3. Antenna parameters





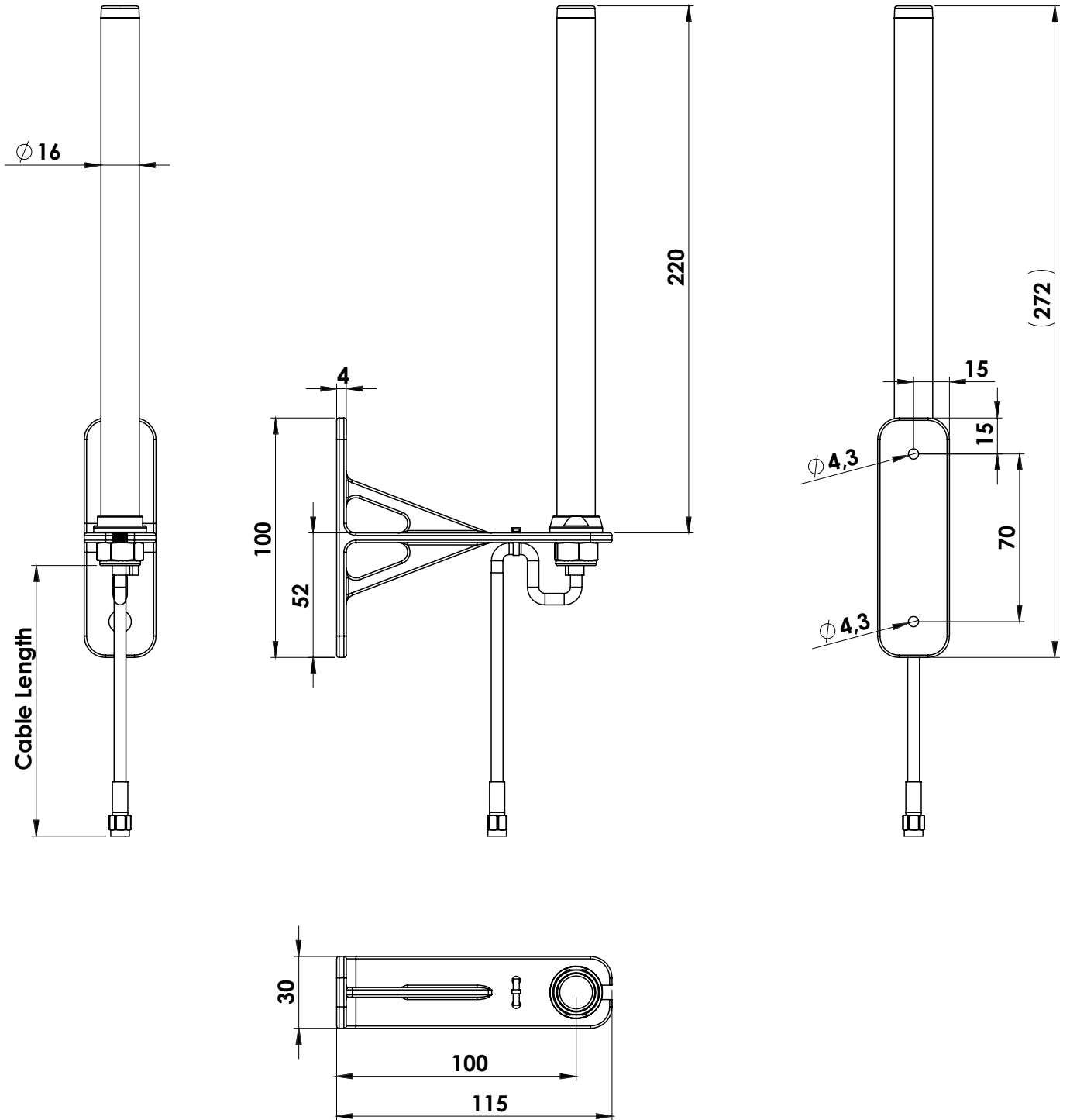


Radiation pattern reference



868 MHz Radiation pattern

## 4. Antenna drawings



## 5. Antenna Images

