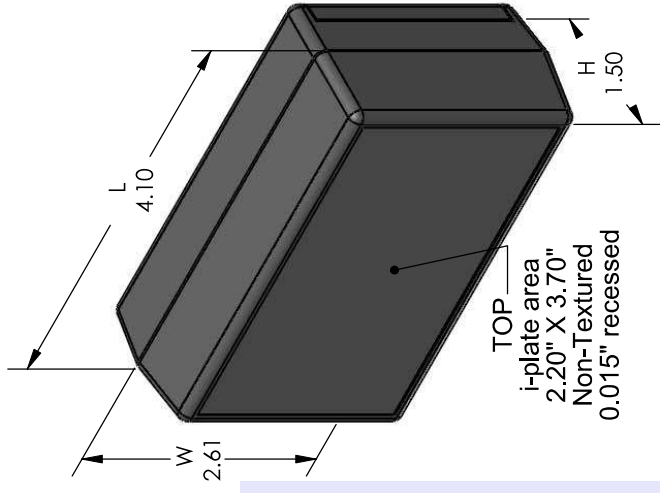
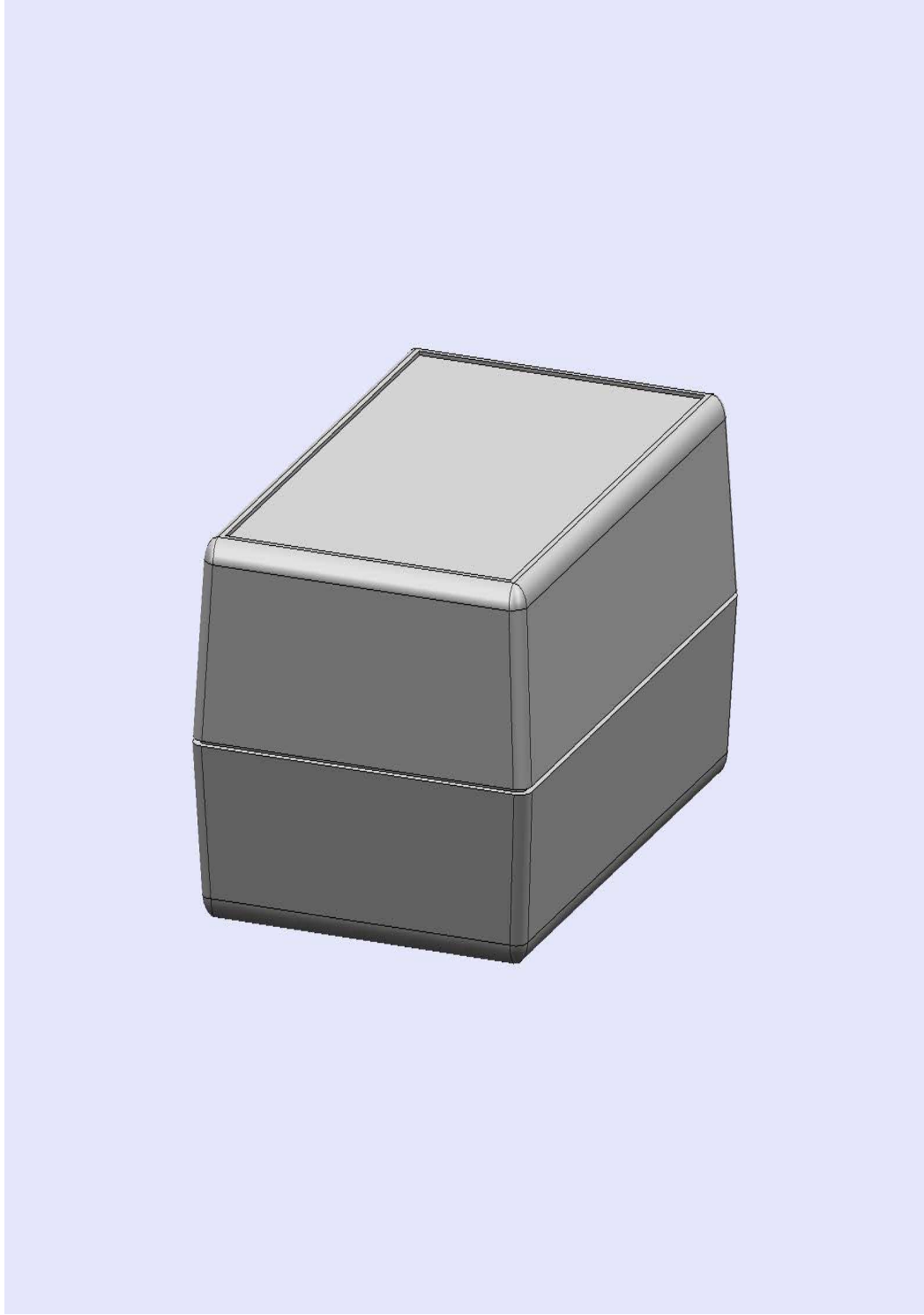


# SERPAC 221i (3D exploded)

Electronic Enclosures

- Click on image to show toolbar. Use  to Play/Pause Animation.
- Left click and drag on image to move 3D model.



- Zoom in & out with center wheel.
- Pause at any moment to view and or print views.
- Change the views to ortho and section views if needed from the Views pull down menu.
- Explore options included in the tool bar like: Views, Transparency of model, Lighting type, etc.

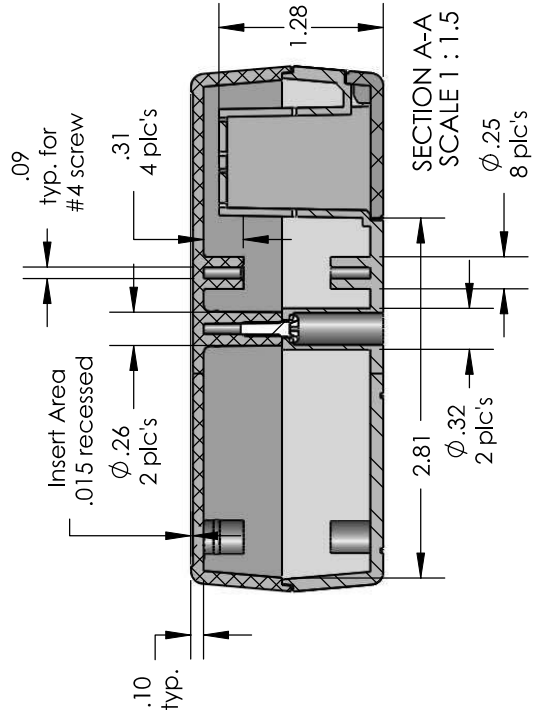
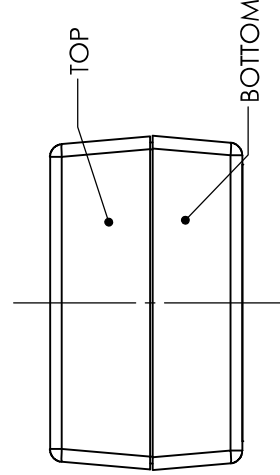
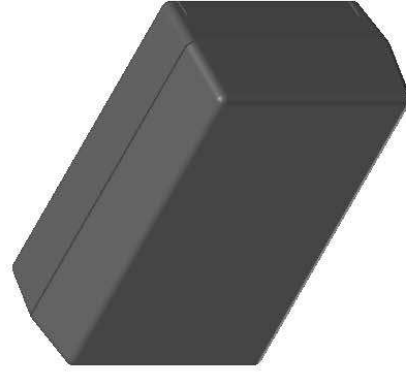
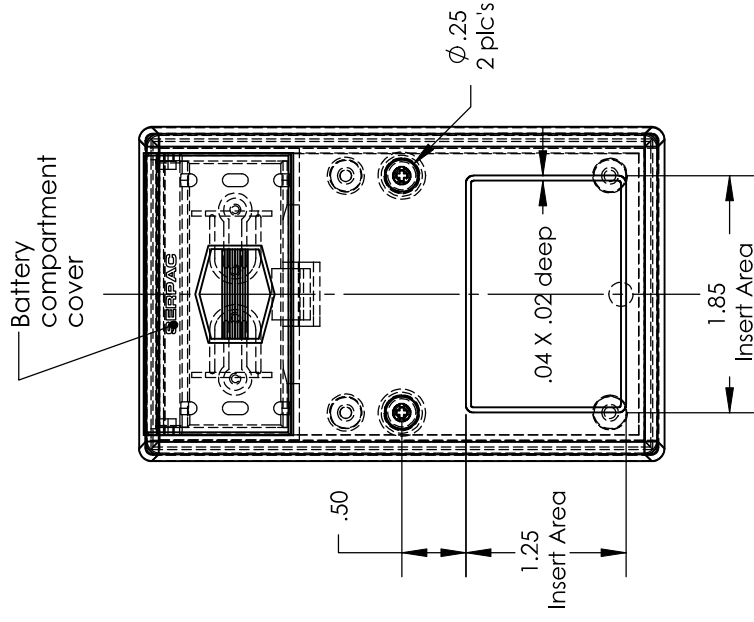
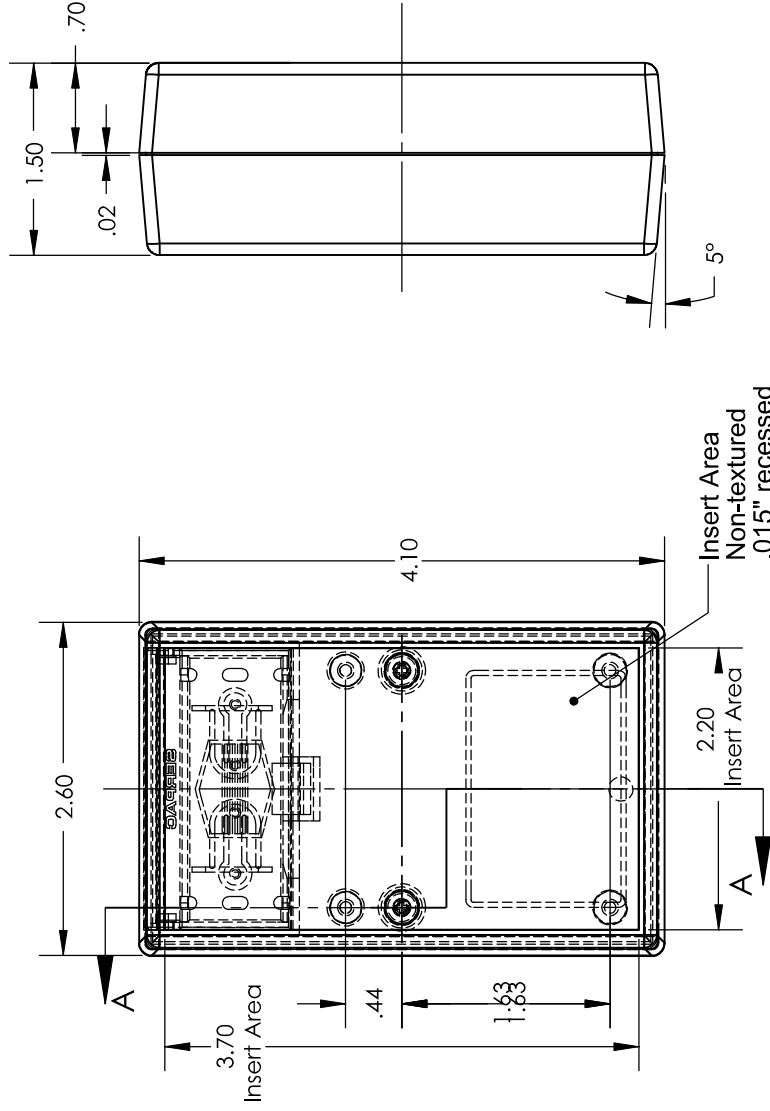
Notes: (Enclosure weight 0.17 lb / 79 gm)

- Enclosure meets or exceeds IP40 and NEMA 1
- Circuit Board drawings can be download at:  
<http://www.serpac.com/Products/Accessories/CircuitBoard/drawings/319-419.pdf>
- All components are RoHS Compliant.

PART NO.	DESCRIPTION (Included)	ACCESSORIES (Optional)	
		PART NO.	DESCRIPTION
2-1i	TOP	319	Prototype grid board
22	BOTTOM	419	Prototype clad board
1025	Battery Cover		
6005	#4X3/8" Self tapping (2)		

# SERPAC 221i (user print)

Electronic Enclosures



Notes:  
 1) Enclosure weight 0.17 lb / 79 gm  
 2) Enclosure meets or exceeds IP40 and NEMA 1  
 3) Circuit Board drawings can be downloaded at:  
<http://www.serpac.com/Products/Accessories/CircuitBoard/drawings/319-419.pdf>  
 4) All components are RoHS Compliant.

PART NO.	DESCRIPTION (Included)	ACCESSORIES (Optional)
2-11	TOP	PART NO. DESCRIPTION
22	BOTTOM	319 Prototype grid board
1025	Battery Cover	419 Prototype clad board
6005	#4X3/8" self tapping (2)	