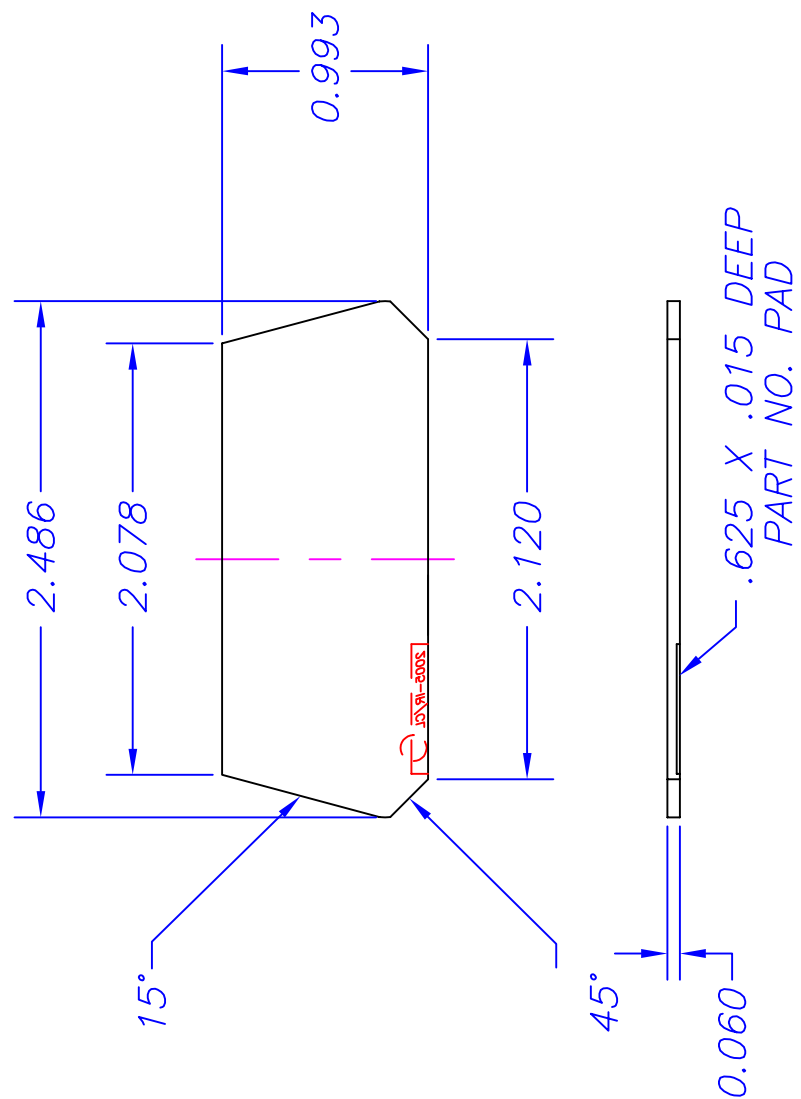


NO.		REVISION		DATE	
N/A				5/96	



P/N	MATERIAL
2005-IR	INFRARED LEXAN 101-21125
2005-CL	CLEAR TERLUX 2802TR(BASF)

TITLE			DES.		
A-21 END PANEL IR-CL			D.CHAMBERS		
TOLERANCE			P/N		
MAT'L SEE MATERIAL NOTE			6/93		
DRWN.			2005,IR and CL		
DECIMAL	FRAC.	ANG.	CKD.		
.XXX			1=1		
±.010	±1/64	±1/2°	APPR.		
			A-21IRCL		
NO. OF SHTS. 1			DWC NO.		
			A-21IRCL		
SERPAC					
612 COMMERCIAL AVE., COVINA, CA. 91723 (818) 331-0517 FAX: (818) 331-8584					