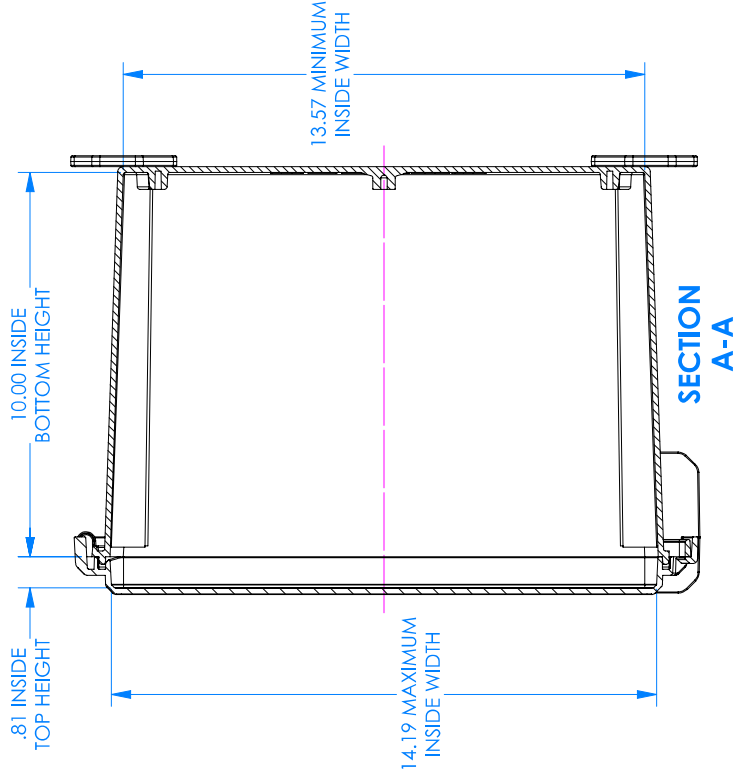
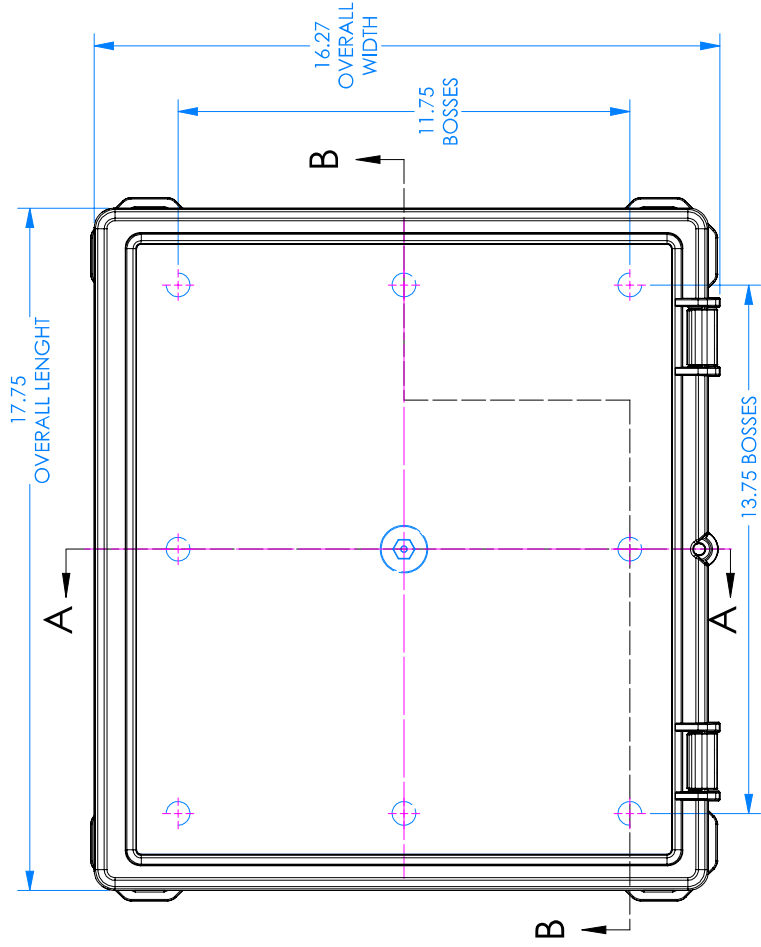


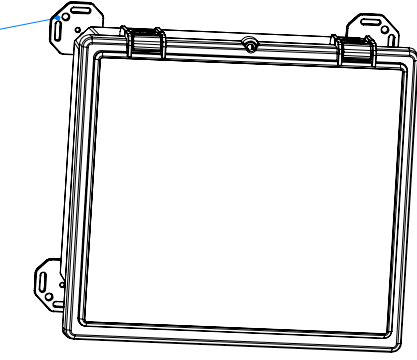
SERPAC I652HL

Electronic Enclosures



SECTION A-A

4 Mounting Brackets included. See Sheet 2 for dimensions.

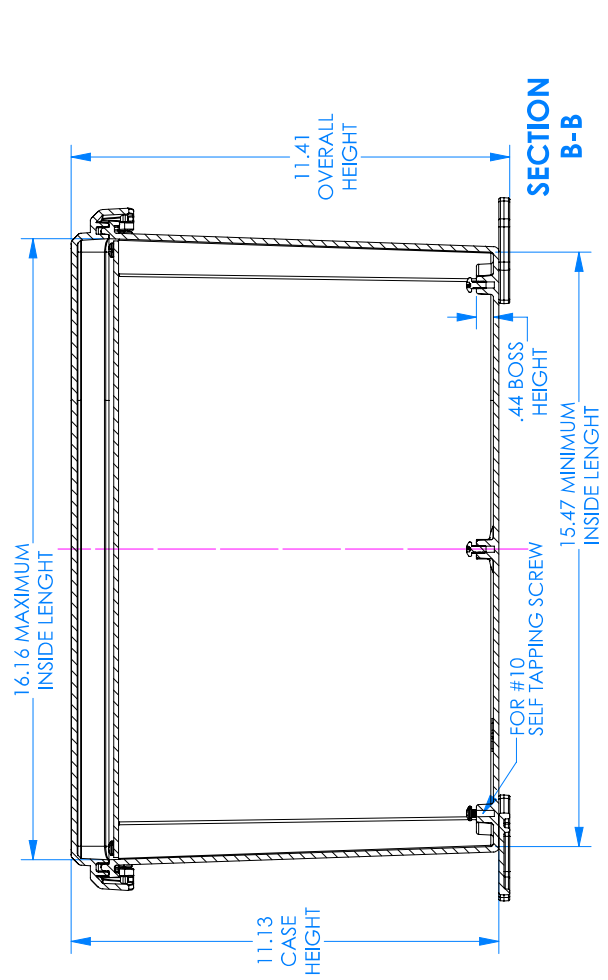


Aluminum Panel Kits are available as options, see sheets 3-5. The aluminum panel options are:
 Bottom Panel Kit p/n 73000B
 Top Panel Kit p/n 73040T
 Hinged Panel Kit p/n 73020TH

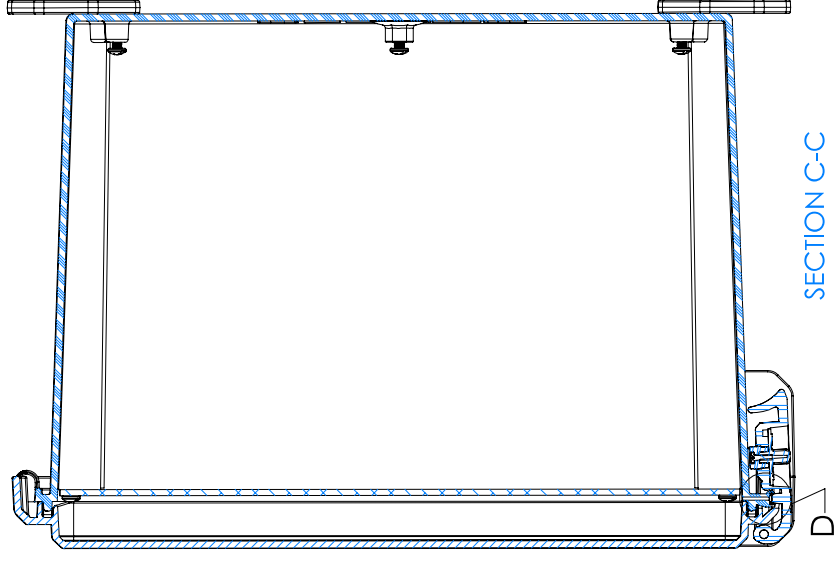
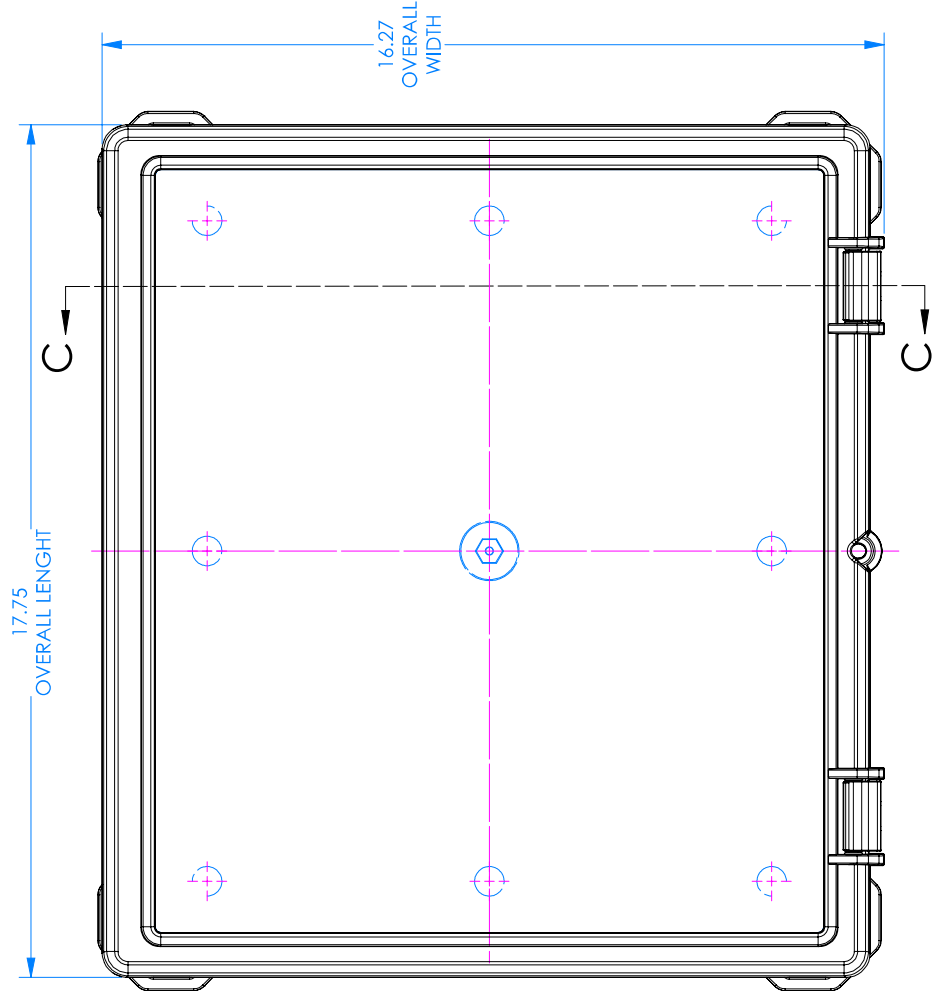
Enclosure venting / pressure equalizing option is available. (See next page)

- UL listed to UL 508A 4/4X standard (UL file E519183).
- Material: UV stabilized Polycarbonate Flammability V0, F1 rated material.
- Watertight enclosure meets or exceeds Nema 4 and or IP67.

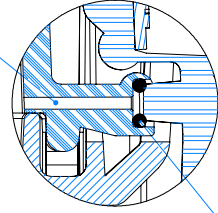
P/N	Qty.	Description
I652HLT	1	I652 Hinge Latch Top
I650HLB	1	I650 Hinge Latch Bottom
8850	1	650 Perimeter O-ring
7011PCM	2	Safety Latch for I-Series
1355	4	Corner Mounting Bracket
6028	9	SS #10 X 5/8" Pan H/L Screw



SECTION B-B

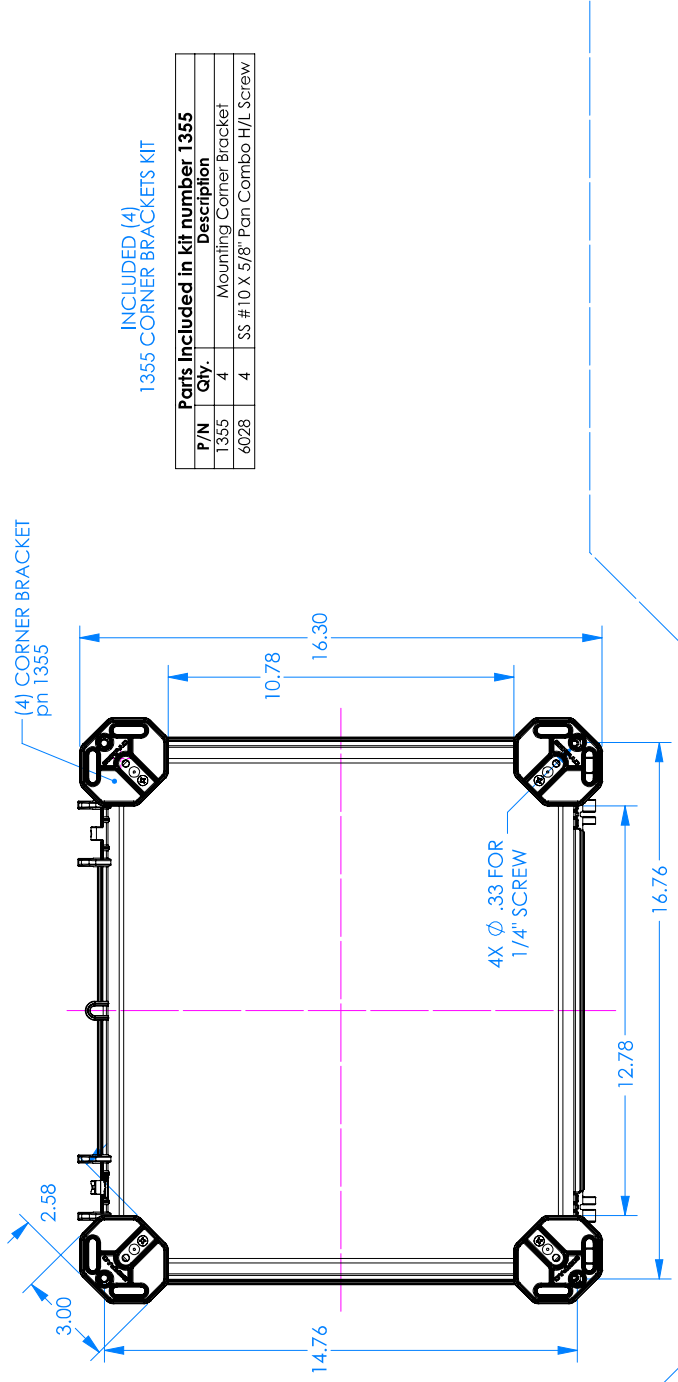


DRILLED HOLE
1/16" DIA



For Ventiling option
drill 1/16" ϕ hole as shown
and use pn 8000 for sealing.

I652HL Mounting Bracket Dimensions



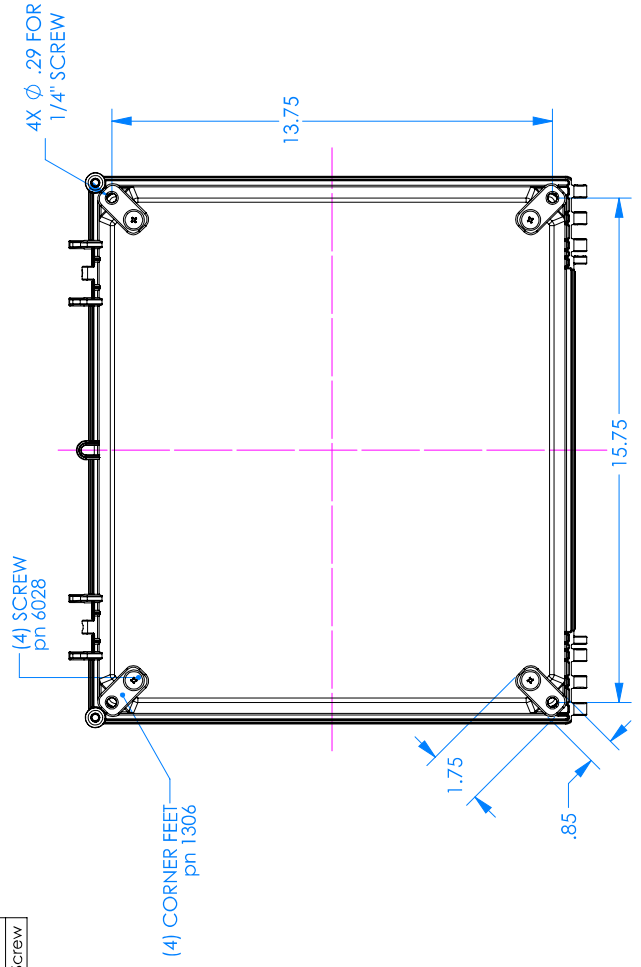
**INCLUDED (4)
1355 CORNER BRACKETS KIT**

P/N	Qty.	Description
1355	4	Mounting Corner Bracket
6028	4	SS #10 X .5/8" Pan Combo H/L Screw

TOP & LATCHES REMOVED
FOR CLARITY FROM ALL VIEWS

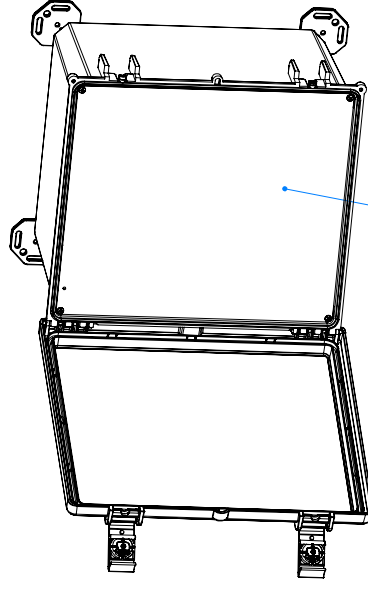
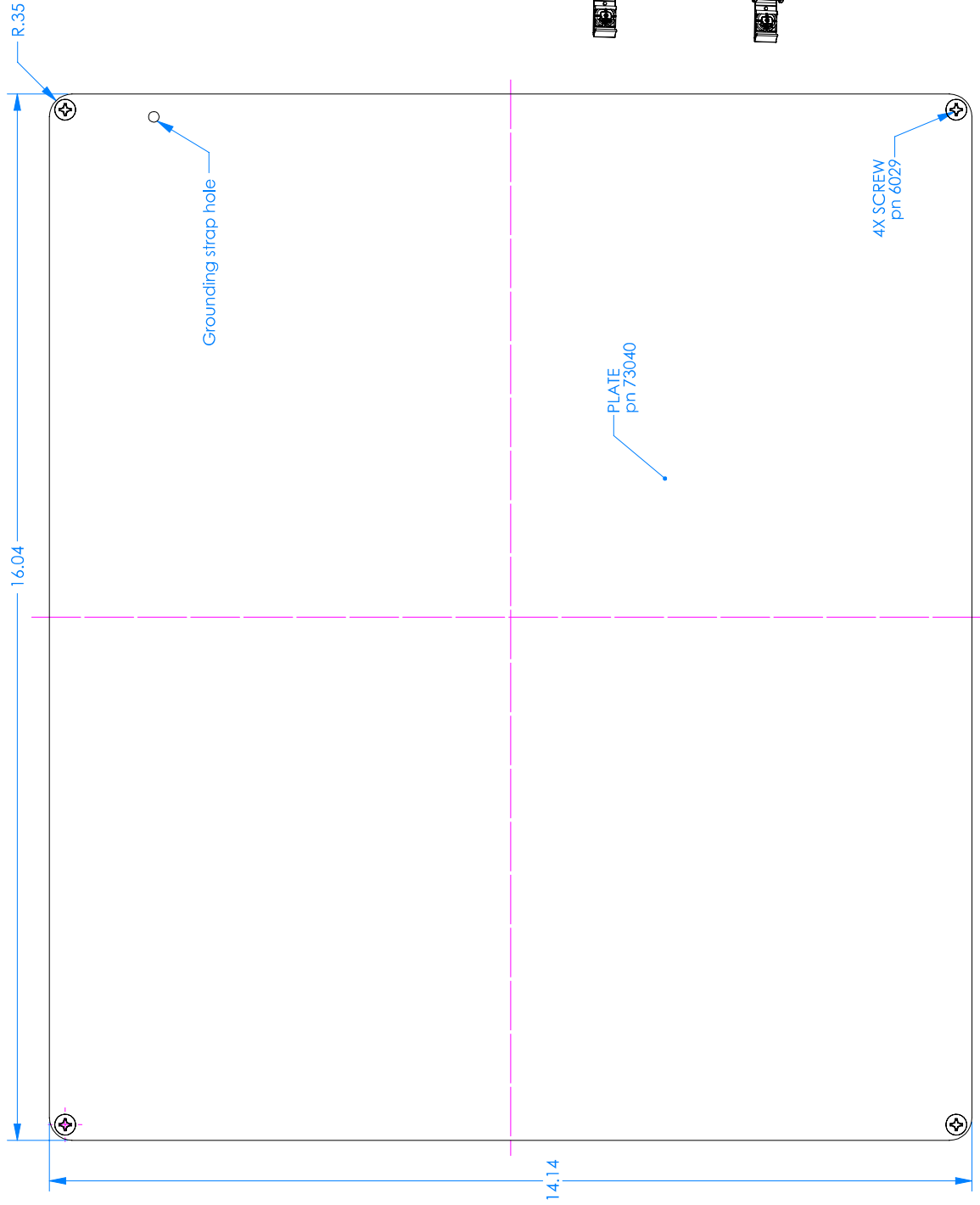
OPTIONAL 1306 CORNER FEET KIT

P/N	Qty.	Description
1306	4	Mounting Corner Feet
6028	4	SS #10 X .5/8" Pan Combo H/L Screw



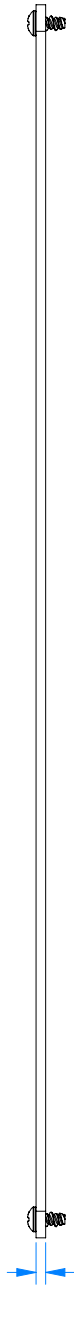
SERPAC 7300T Top Panel Kit for I652HL

Electronic Enclosures

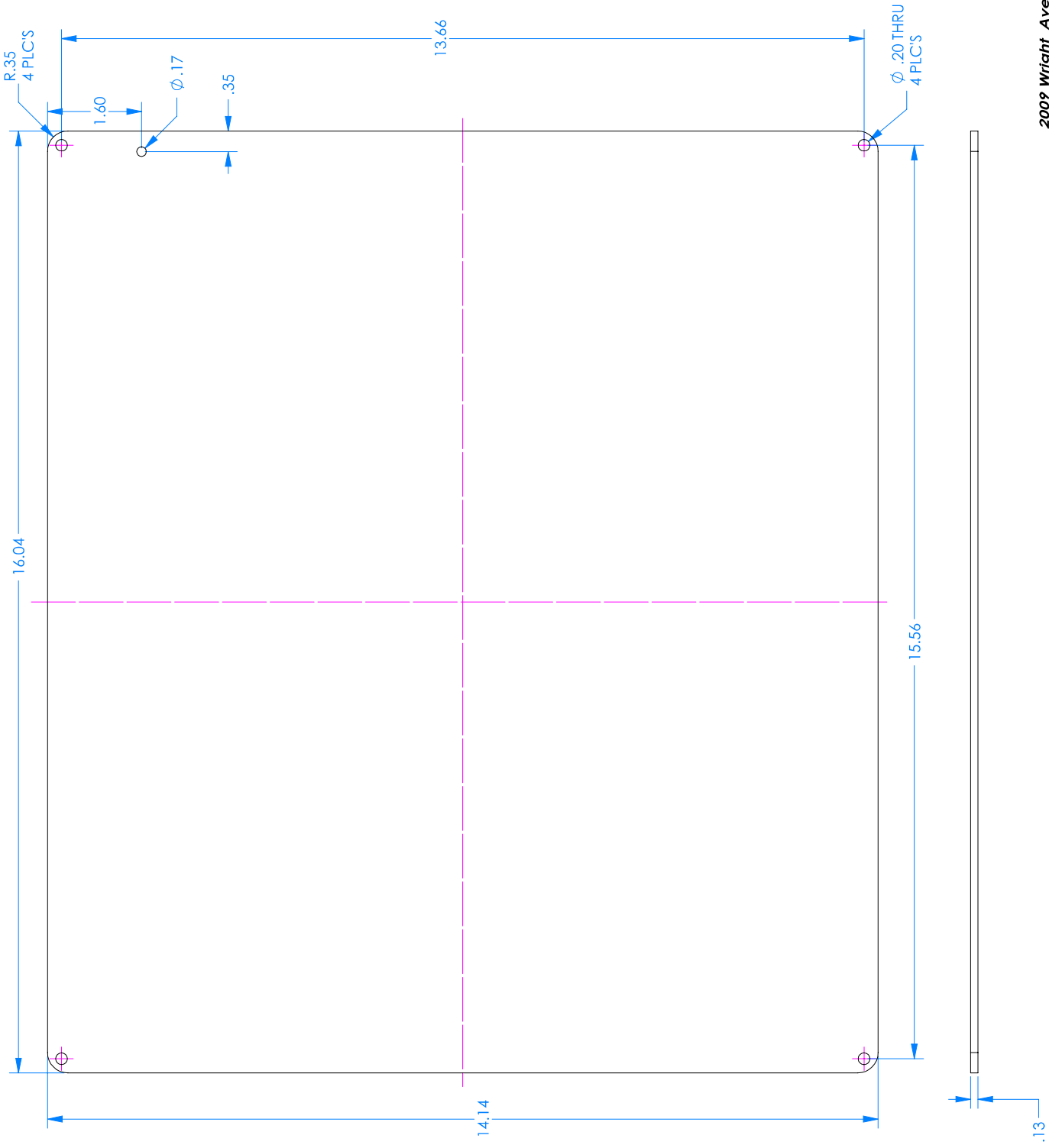


Optional kit
pn 7300T

Parts included in kit number 7300T	
P/N	Description
73040	Top Aluminum Panel
6029	SS #10 X 3/8" Pan HL Screw
Qty.	
1	
4	

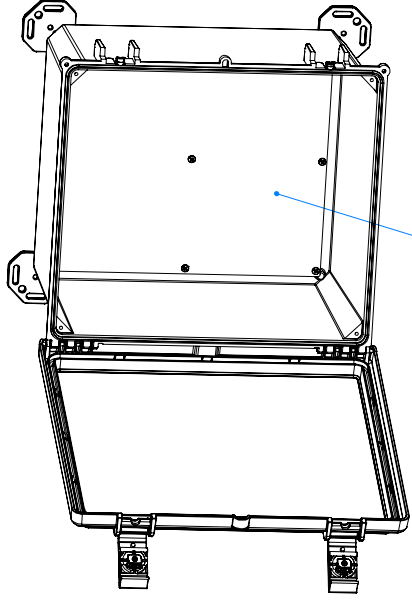
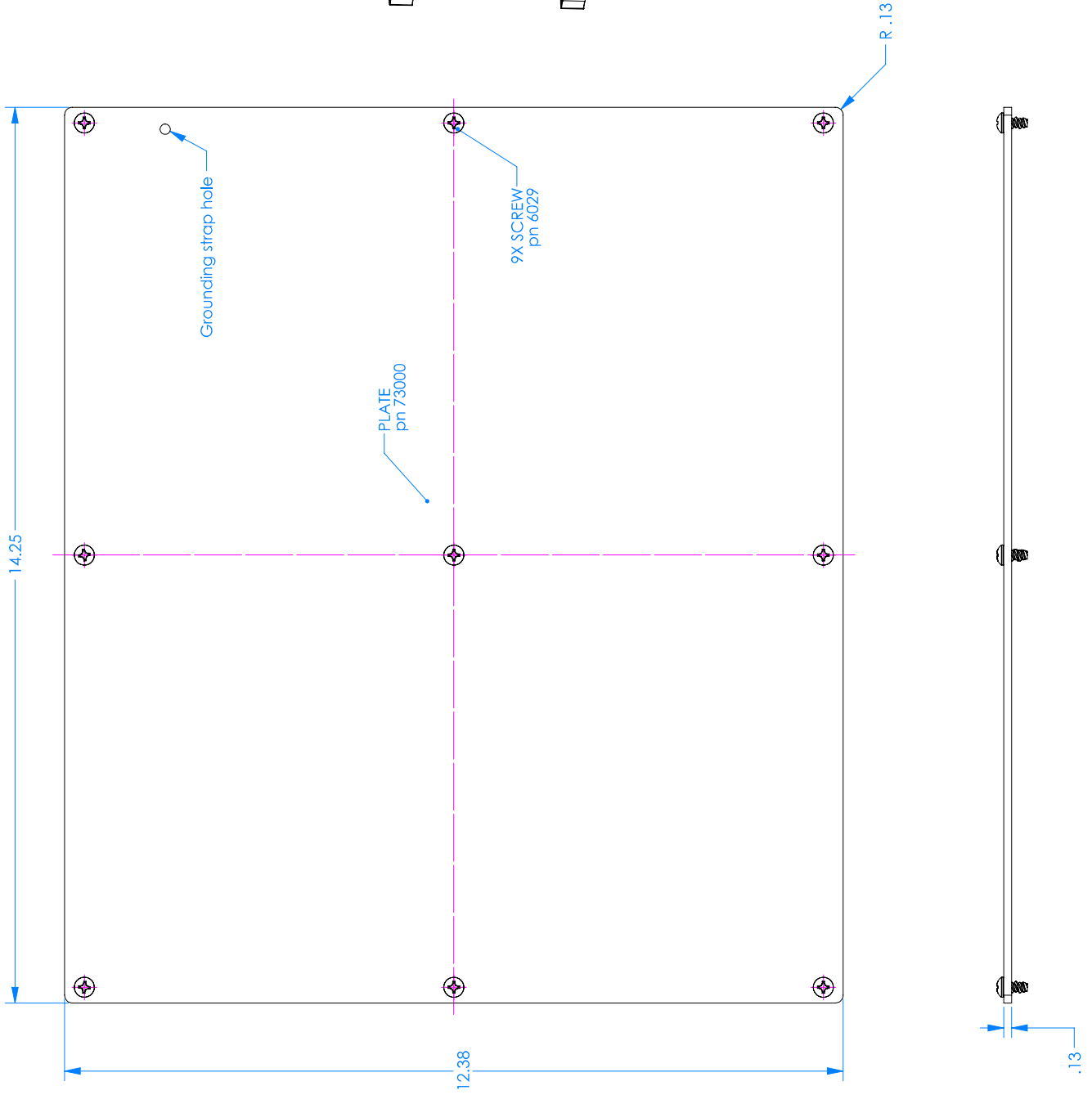


73040 AP-1 Top Alum Panel for I652HL

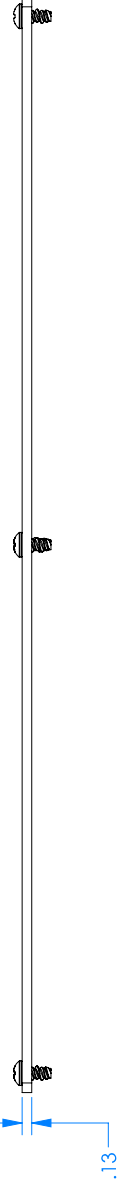


SERPAC 7300B Bottom Panel Kit for I652HL

Electronic Enclosures



Optional kit
pn 7300B

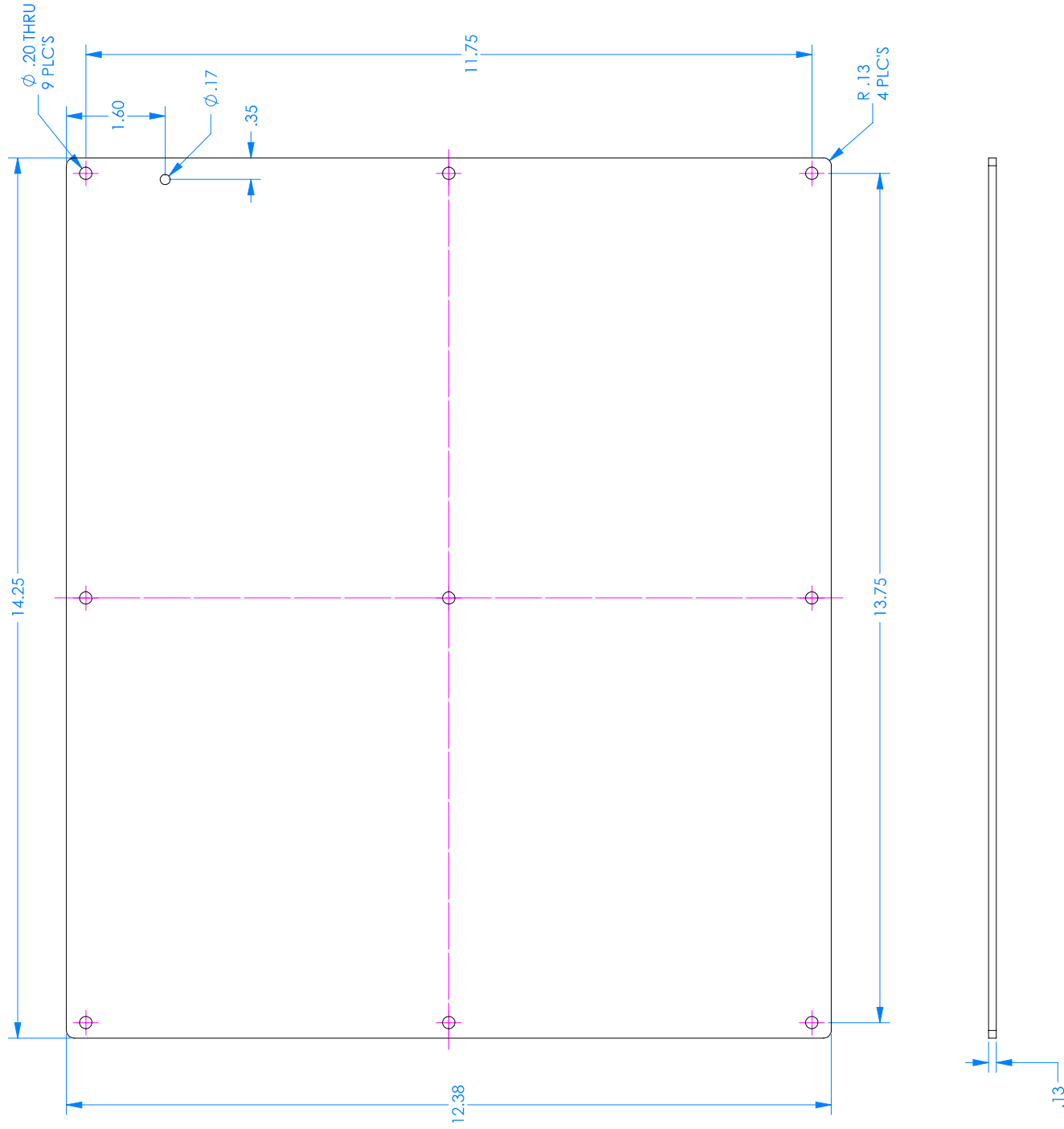


Parts Included in kit number 7300B	
P/N	Description
73000	Bottom Aluminum Panel
6029	SS #10 X 3/8" Pan-IL Screw

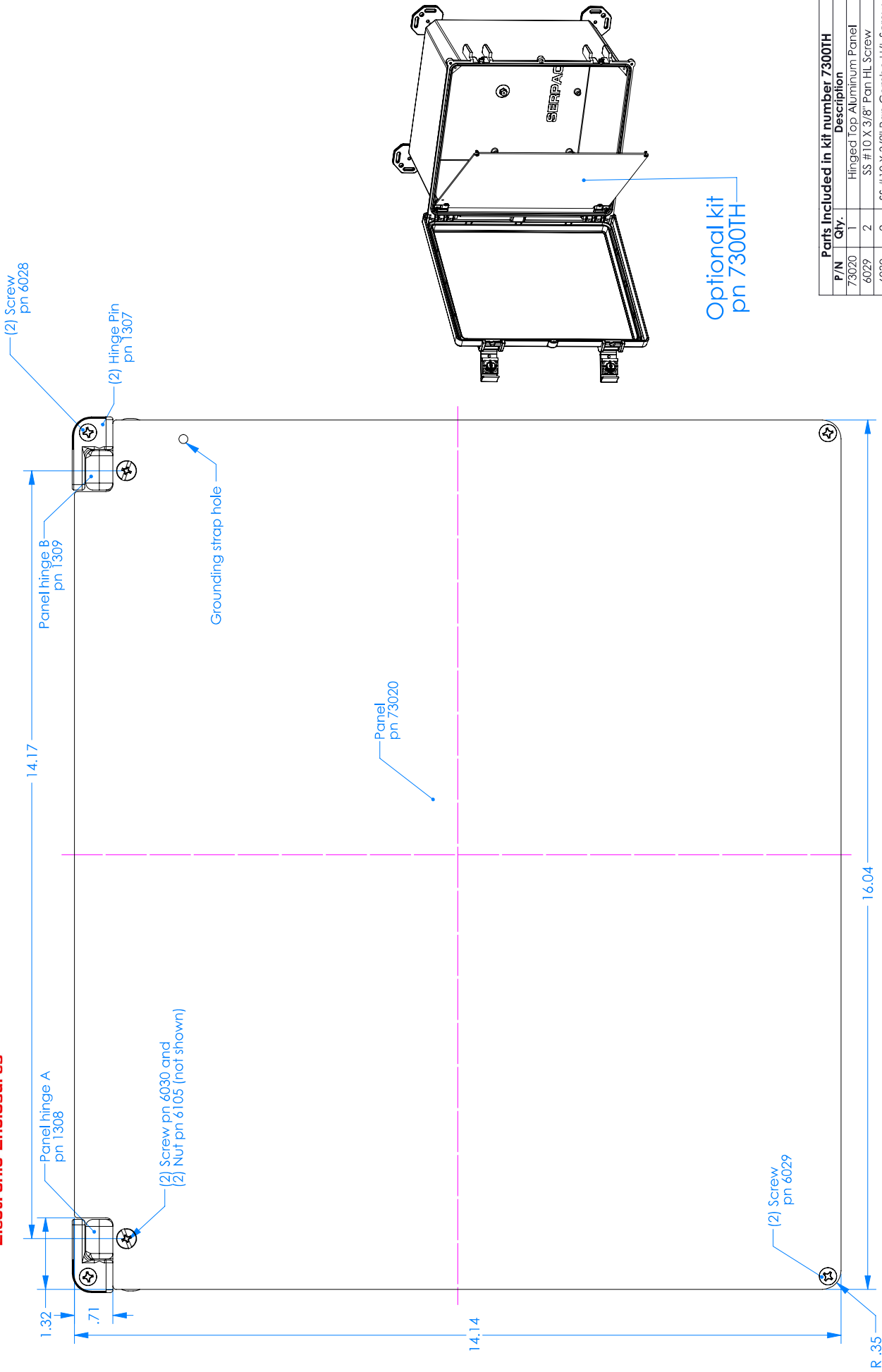
4/16/2021

2009 Wright Ave. La Verne, CA 91750
Ph. (626) 331-0517 Fx. (626) 331-8584 serpac.com

73000 AP-3 Bottom Alum Panel for I652HL



7300TH Hinged Top Panel Kit for I652HL



Parts Included in kit number 7300TH	
P/N	Description
73020	1 Hinged Top Aluminum Panel
6029	2 SS #10 X 3/8" Pan HL Screw
6030	2 SS #10 X 3/8" Pan Combo H/L Screw
6105	2 SS #10-32 X 1/8" Nut
6028	2 SS #10 X 5/8" PH HD H/L Screw
1307	2 Hinge Pin for Hinge Panel
1308	1 Hinge A for Hinge Panel
1309	1 Hinge B for Hinge Panel

73020 AP-2 Hinged Alum Panel for I652HL

