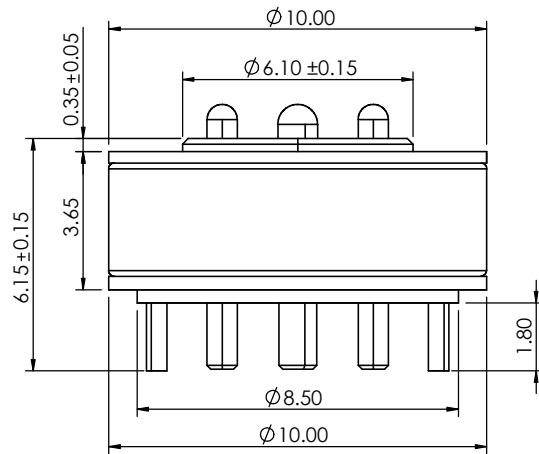


TOLERANCE UNLESS OTHERWISE SPECIFIED	
.X	±0.15
.XX	±0.10

THIS IS A C.A.D. GENERATED DRAWING
DO NOT MAKE MANUAL REVISIONS TO MASTER.



ISSUE NUMBER	
ORIGINAL	①
Ø6.10±0.15 WAS Ø6.10 +0/-0.05, 6.15±0.15 WAS 6.15±0.05, Ø7.2±0.20 WAS Ø7.2, Ø1.00 GUILD PIN DELETED IN FRONT VIEW AND BOTTOM	
L.K.	JUN. 12/2023 ②
ADD NOTE 4 & 5	
P.M.	AUG. 12/2023 ③
REVISE NOTE 1 & 2	
ADD DIM 1.80	
L.K.	AUG. 18/2023 ④

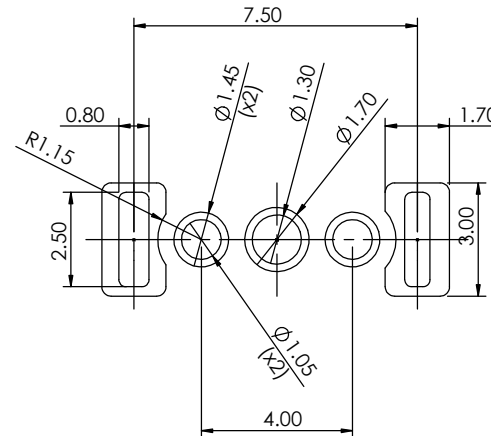
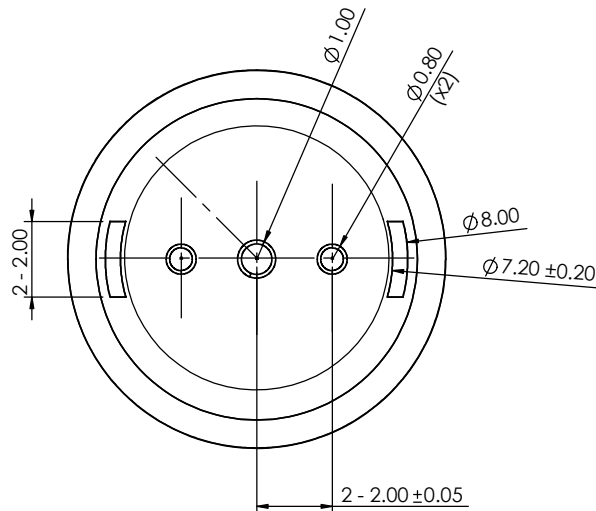


SPECIFICATION:

- MATERIAL:
CONTACT: BRASS, GOLD FLASH PLATING ALL OVER NICKEL UNDERPLATING
HOUSING: PA9T, BLACK
MAGNET: N52
- ELECTRICAL:
RATED VOLTAGE (PER CONTACT): 24V
RATED CURRENT (PER CONTACT): 2A
- WORKING TEMPERATURE RANGE: -30--+85°C.

4- RECOMMENDED SOLDERING PROCESS ARE SELECTIVE SOLDERING OR MANUAL SOLDERING. OTHER FORMS OF SOLDERING SUCH AS WAVE SOLDER OR REFLOW SOLDER ARE NOT RECOMMENDED AND CAN POTENTIALLY CAUSE DEMAGNETIZATION OF MAGNET IN THE CONNECTOR

5- MATING WITH: 686A03222001D1E



PCB LAYOUT
LAYOUT TOLERANCE: ±0.05MM



THIS SERIES FULLY CONFORMS TO
THE EUROPEAN UNION DIRECTIVES
2011/65/EU FOR RoHS COMPLIANCY.



YOUR CONNECTION TO QUALITY & SERVICE

EDAC INC
TORONTO, ONTARIO
CANADA

THESE DRAWINGS AND SPECIFICATIONS
ARE THE PROPERTY OF EDAC INC., AND
SHALL NOT BE REPRODUCED, OR COPIED
OR USED AS THE BASIS FOR THE
MANUFACTURE OR SALE OF APPARATUS
WITHOUT WRITTEN PERMISSION.

MAGNETIC SPRING LOADED CONNECTOR,
3POS, MALE

ACAD REFERENCE NO.:	685A03222011D1E	UNIT: MM
DRAWN:	J.L.	DATE: 8/24/2023
CHECKED:	R.S.M	DATE: 8/24/2023
SCALE:	(IN CAD 1:1)	SHEET 1 OF 1
DRAWING NUMBER:	685A03222011D1E	ISSUE
PART NUMBER:	685A03222011D1E	4