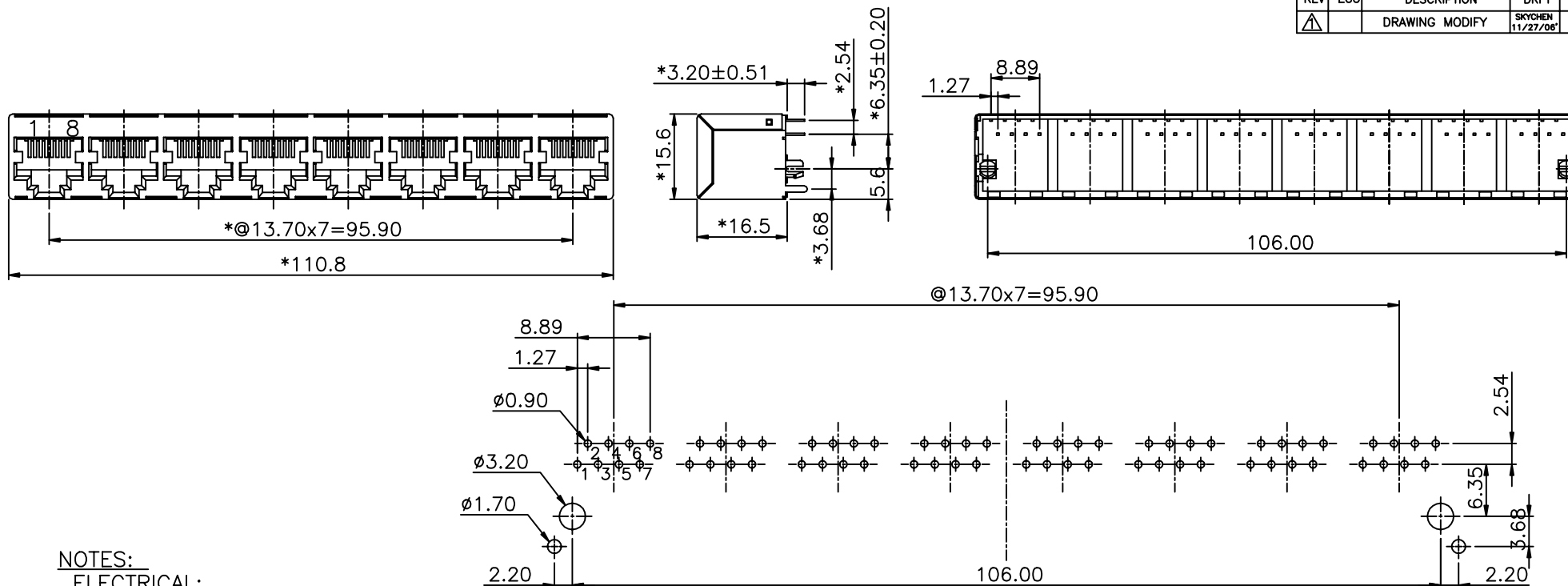


REVISION RECORD				
REV	ECO	DESCRIPTION	DRFT	CHKD
△		DRAWING MODIFY	SKYCHEN	11/27/06



NOTES:

ELECTRICAL:

- VOLTAGE RATING : 125 VAC RMS.
- CURRENT RATING : 1.5 AMP.
- CONTACT RESISTANCE : 30 MILLIOHMS MAX.
- INSULATION RESISTANCE: 1000 MEGOHMS MIN @ 500 VDC.
- DIELECTRIC STRENGTH : 1000 VAC RMS 60Hz, 1MIN.

MECHANICAL:

- HOUSING MATERIAL : PBT+GF30% UL94V-0. COLOR:BLACK
- CONTACT MATERIAL : PHOSPHOR BRONZE t=0.35mm.
- PLATING : GOLD PLATING OVER NICKEL.
- OPERATING LIFE : 750 CYCLES MIN.
- PCB RETENTION PRE-SOLDER : 1 LB MIN.
- PCB RETENTION POST-SOLDER: 10 LBS MIN.

ENVIRONMENTAL:

- STORAGE : -40°C TO +85°C.
- OPERATION: -40°C TO +85°C.
- △3. WAVE SOLDERING TEMPERATURE: 230°C TO 250°C 3~5 SECONDS.
- RoHS COMPLIANT.

MATES WITH MODULAR PLUG CONFORMING TO FCC PART 68, SUBPART F.

RoHS PART NUMBER: E5288-32G14X-L

- 1- 3u" 2- 6u"
- 3-15u" 4-30u"
- 5-50u"

PC Board Layout
Component Side Shown

← MM (INCH) →		DFTO SKYCHEN	DATE 07/01/06'
TOLERANCES EXCEPT AS NOTED		CHKD ASHELLY	DATE 2006/11/27
		MFO	DATE
		APPVL ANKUE	DATE 2006/11/27
		MATERIAL :	
ANGLES ± 0.5		QT'Y :	
 THIRD ANGLE PROJECTION		FINISH :	
		SCALE : 5:4	

Pulse A TECHNITROL COMPANY		RoHS Compliant	
FULL RISE ELECTRONIC CO., LTD			
TITLE TOP ENTRY GANG JACK (8 PORTS)			
DRAWING NO. GE523A30-LC		SIZE	REV
/PART NO. SEE NOTE		A3	1
DO NOT SCALE DRAWING		SHEET 1	OF 1