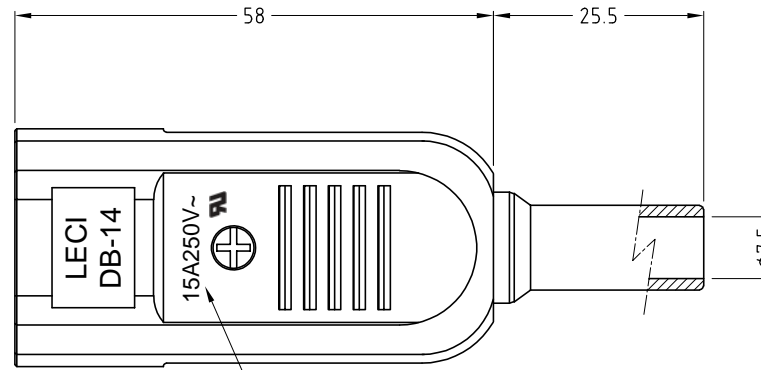
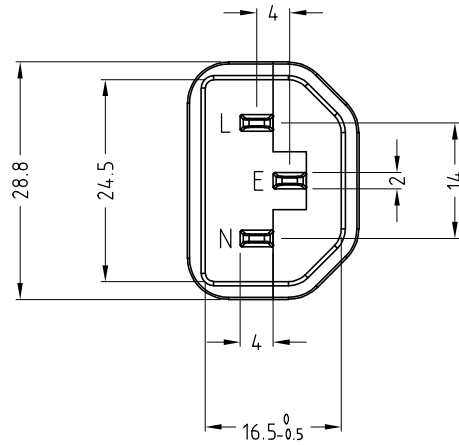
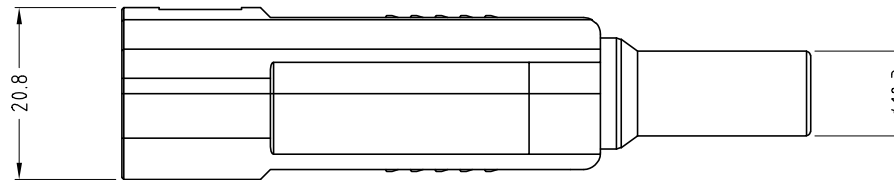
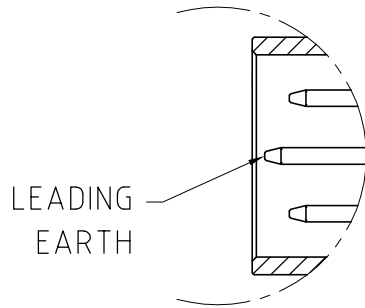


ISS.	AMEND	DATE
1	REDRAWN	05/06/90
2	UPDATED	21/10/21



IEC 60320 Plug  
15A/250V UL  
10A/250V VDE



**RoHS**  
✓ **COMPLIANT**

**TOLERANCE**  
NO DEC. PLACE ±  
1 DEC. PLACE ±  
2 DEC. PLACE ±  
HOLE Ø ±  
ANGLES ±  
UNLESS OTHERWISE STATED

DO NOT SCALE

**Cliff Electronic Components Ltd.**

76 Holmetherpe Avenue, Holmetherpe Industrial Estate,  
Redhill, Surrey, RH1 2PF, England, UK  
Tel: 01737-771375 Fax: 01737-766012 Website: www.cliffuk.co.uk

DIMENSIONS IN MILLIMETERS UNLESS OTHERWISE STATED. WORK TO DIMENSIONS. REMOVE ALL BURRS. IF IN DOUBT ASK.

3rd ANGLE PROJECTION:

MATERIAL: PC / TPR / BRASS / STEEL

FINISH: AS MOULDED (BLACK) / Ni PLATED

TITLE: IEC MALE PLUG CP22R

THE CONTENTS OF THIS DOCUMENT MUST NOT BE COPIED OR DISCLOSED TO A 3rd PARTY WITHOUT WRITTEN PERMISSION OF CLIFF UK. © 1990

DRAWN: C.A.M.J.

APPROVED: R.W.T.

DRWG. No. **CL1919**

FORM: A4DRWGH