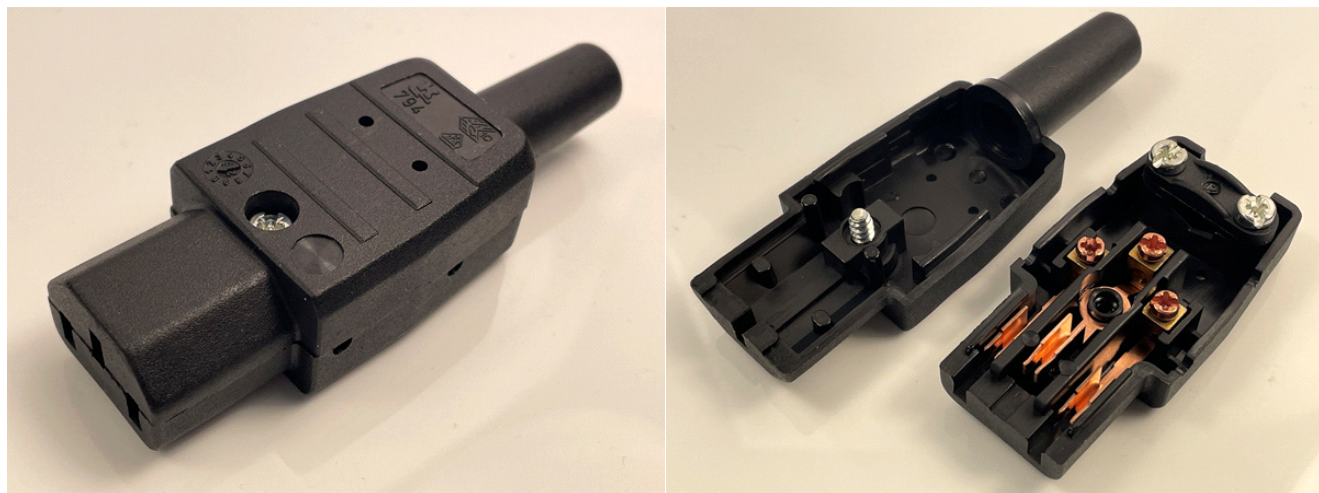
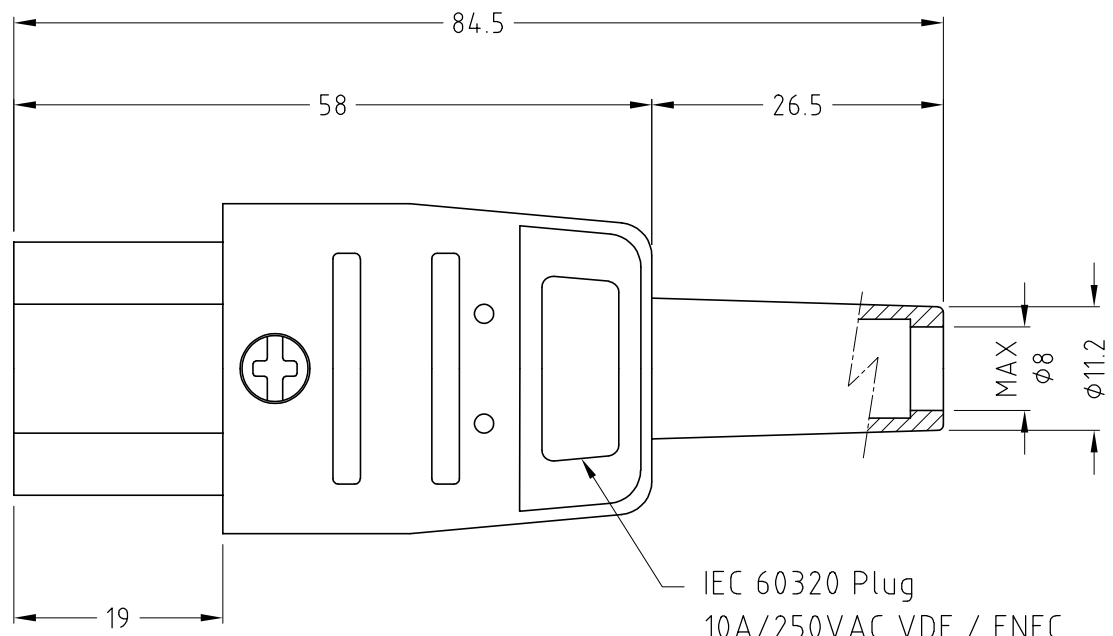
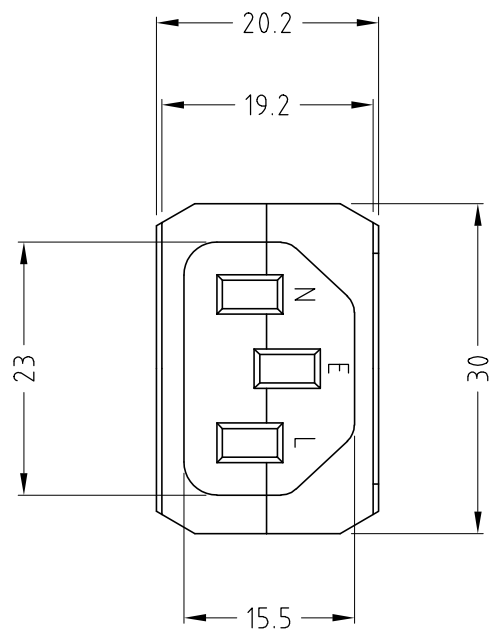


ISS.	AMEND	DATE
1		02/03/90
2	REDRAWN UPDATED	22/10/21



<b>RoHS</b> ✓ <b>COMPLIANT</b>
<b>TOLERANCE</b>
NO DEC. PLACE ±
1 DEC. PLACE ±
2 DEC. PLACE ±
HOLE Ø ±
ANGLES ±
UNLESS OTHERWISE STATED
DO NOT SCALE

**Cliff Electronic Components Ltd.**  
 76 Holmethorpe Avenue, Holmethorpe Industrial Estate,  
 Redhill, Surrey, RH1 2PF, England, UK  
 Tel: 01737-771375 Fax: 01737-766012 Website: www.cliffuk.co.uk

THE CONTENTS OF THIS DOCUMENT MUST NOT BE COPIED OR DISCLOSED TO A 3rd PARTY WITHOUT WRITTEN PERMISSION OF CLIFF UK. © 1990

DIMENSIONS IN MILLIMETERS UNLESS OTHERWISE STATED. WORK TO DIMENSIONS. REMOVE ALL BURRS. IF IN DOUBT ASK.

MATERIAL: PA6 / TPR / COPPER ALLOY / STEEL

FINISH: AS MOULDED - BLACK

DRAWN: C.A.M.J. APPROVED: R.W.T.

3rd ANGLE PROJECTION:

TITLE: IEC FEMALE PLUG CP22S

DRWG. No. **CL1918**

FORM: A4DRWGH