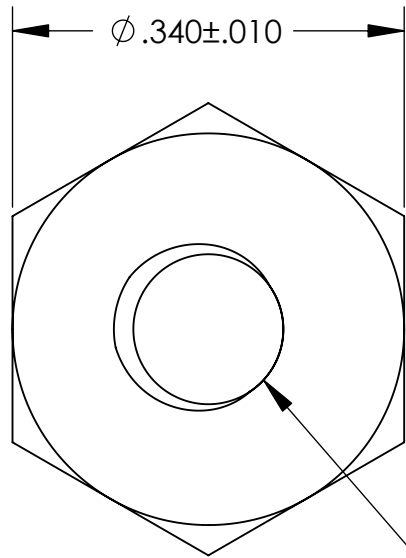
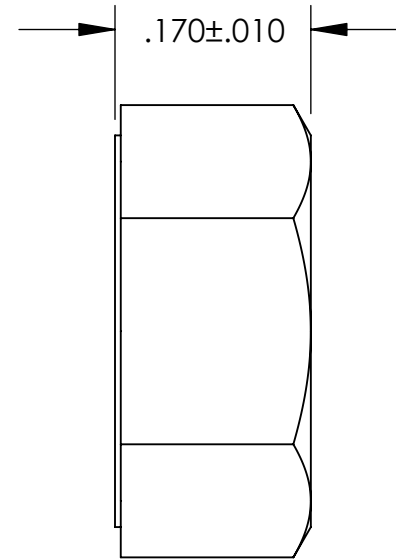


UNCONTROLLED DOCUMENT



8-32 THREADS



TOLERANCES UNLESS NOTED

- ±.005 ON DIMENSIONS THRU .625
- ±.008 ON DIMENSIONS .626 THRU 1.000
- ±.010 ON DIMENSIONS 1.001 THRU 1.500
- ±.015 ON DIMENSIONS LARGER THAN 1.500
- ±.015 ON FRACTIONAL DIMENSIONS

WE RESERVE THE RIGHT TO DISCONTINUE ITEMS, CHANGE SPECIFICATIONS OR DESIGN AT ANY TIME WITHOUT NOTICE AND WITHOUT INCURRING ANY OBLIGATIONS

PROPERTY OF  
**MICRO PLASTICS INC.**

CATALOG DRAWING  
NYLON SPECIAL HEX NUTS  
MICRO P/N 0400832HNS  
DWG. # 0400832HNS  
FILE SERVER\ENG\WEB

MATERIAL: NYLON 6/6

DATE

SCALE  
6:1

**SD**