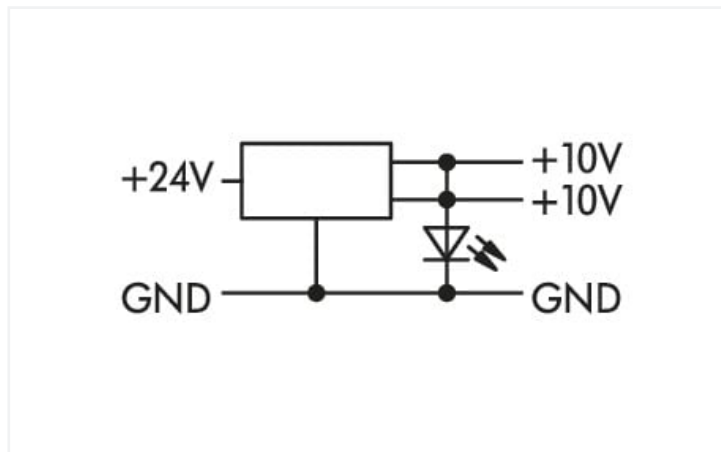
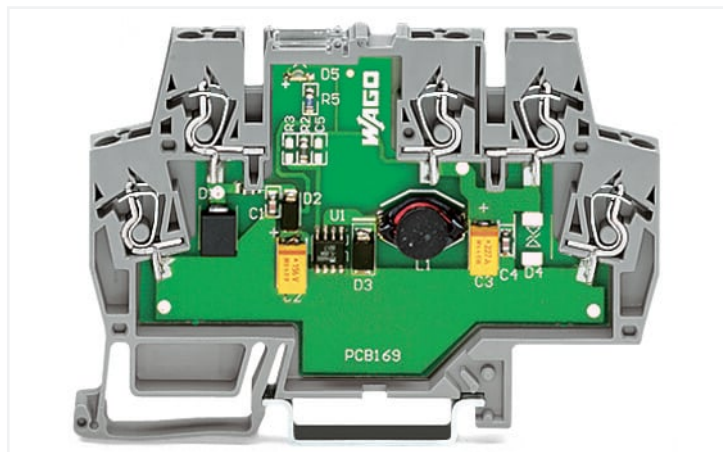


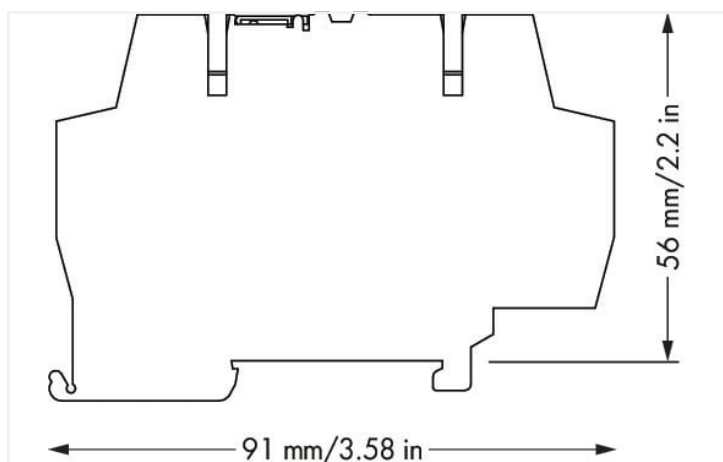
Data Sheet | Item Number: 859-802

DC/DC Converter; 24 VDC input voltage; 10 VDC output voltage; 0.5 A output current; 2,50 mm²; gray

<https://www.wago.com/859-802>



Color: ■ gray



Dimensions in mm

Technical data

Input

Nominal input voltage $U_{i, \text{nom}}$	DC 24 V
Input voltage range	DC 15 ... 30 V
Nominal mains frequency range	0 Hz
Mains failure hold-up time	≥ 0.5 ms

Output

Nominal output voltage $U_{o, \text{nom}}$	DC 10 V
Output voltage range	$\pm 2\%$
Nominal output current $I_{o, \text{nom}}$	0.5 A
Operating voltage feedthrough	$\leq 0.5\%$
Load regulation	$\leq 0.7\%$
Residual ripple	≤ 20 mV
Switching frequency	20 kHz (Nominal)
Overload behavior	Temporary no damage (short circuit of the output for 1 minute)

Signaling and communication

Signaling	1 x LED
-----------	---------

Efficiency/power losses

Efficiency (typ.)	85 %
-------------------	------

Circuit protection

Internal fuse	TVS diode
---------------	-----------

Safety and protection

Protection class	III
Protection type	IP20; per EN 60529
Reverse voltage protection	Yes
Pollution degree	2
Series operation	No

Connection data

Number of jumper slots	2
Connection technology	CAGE CLAMP®
WAGO connector	WAGO 859 Series
Solid conductor	0.08 ... 2.5 mm ² / 28 ... 14 AWG
Fine-stranded conductor	0.08 ... 2.5 mm ² / 28 ... 14 AWG
Strip length	5 ... 6 mm / 0.2 ... 0.24 inches

Physical data

Width	6 mm / 0.236 inches
Height	91 mm / 3.583 inches
Height from upper-edge of DIN-rail	56 mm / 2.205 inches
Depth	91 mm / 3.583 inches
Depth from upper-edge of DIN-rail	56 mm / 2.205 inches

Mechanical data

Housing design	Rail-mount terminal block
Mounting type	DIN-35 rail

Material data

Color	gray
Fire load	0.48 MJ
Weight	30.8 g

Environmental requirements

Ambient temperature (operation)	-25 ... +55 °C
---------------------------------	----------------

Standards and specifications

Conformity marking	CE
--------------------	----

Commercial data	
eCl@ss 10.0	27-04-07-01
eCl@ss 9.0	27-04-07-01
ETIM 8.0	EC002540
ETIM 7.0	EC002540
PU (SPU)	10 (1) pcs
Packaging type	Box
Country of origin	US
GTIN	4050821083313
Customs tariff number	85044083900

Environmental Product Compliance	
RoHS Compliance Status	Compliant, No Exemption

Approvals / Certificates

General approvals			Declarations of conformity and manufacturer's declarations		
Approval	Standard	Certificate Name	Approval	Standard	Certificate Name
EAC Brjansker Zertifizierungsstelle	TP TC 020/2011	EAC_Certificate_RU_C-DE.AM02.B.00115_19	EU-Declaration of Conformity WAGO GmbH & Co. KG	-	-
UL Underwriters Laboratories Inc. (ORDINARY LOCATIONS)	UL 508	E175199 Sec.4			

Approvals for hazardous areas

Approval	Standard	Certificate Name
UL Underwriters Laboratories Inc. (HAZARDOUS LOCATIONS)	ANSI/ISA 12.12.01	E198726

Downloads

Environmental Product Compliance	
Compliance Search	
Environmental Product Compliance 859-802	↓

Documentation

Bid Text			
859-802	19.02.2019	xml 4.15 KB	↓
859-802	06.02.2015	doc 26.00 KB	↓

Instruction Leaflet		
DC/DC-Wandler	pdf 67.21 KB	↓

CAD/CAE-Data

CAD data	
2D/3D Models 859-802	↓

CAE data	
EPLAN Data Portal 859-802	↓
WSCAD Universe 859-802	↓
ZUKEN Portal 859-802	↓

Subject to changes. Please also observe the further product documentation!

Current addresses can be found at: www.wago.com