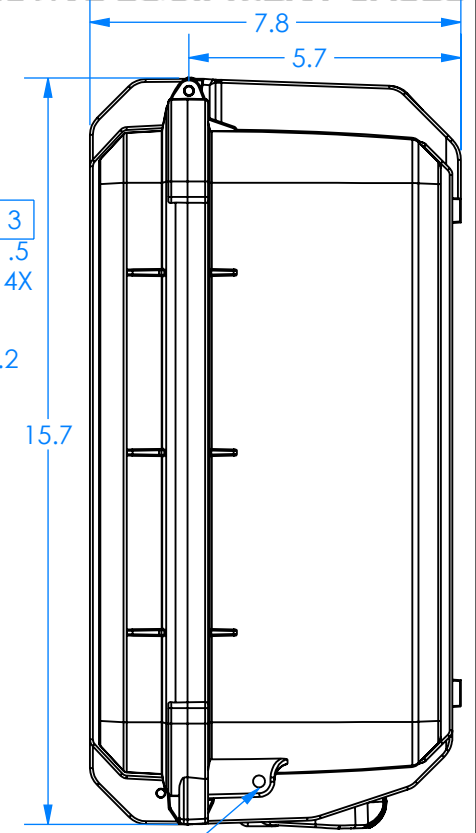
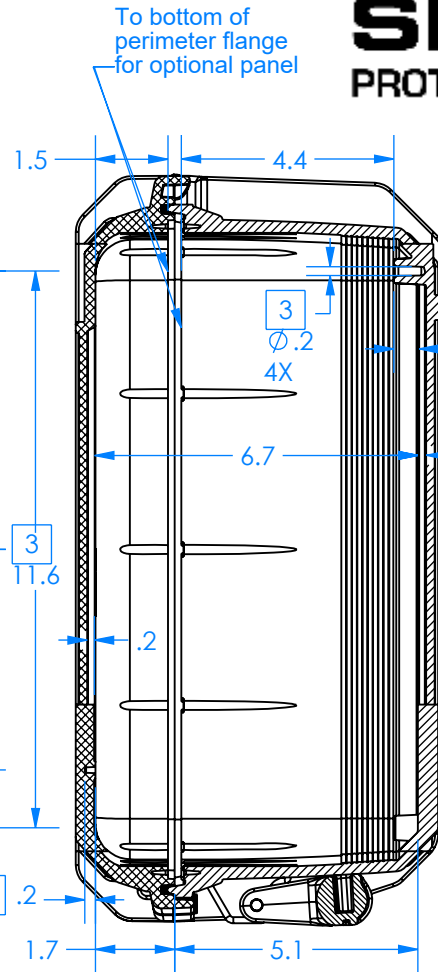
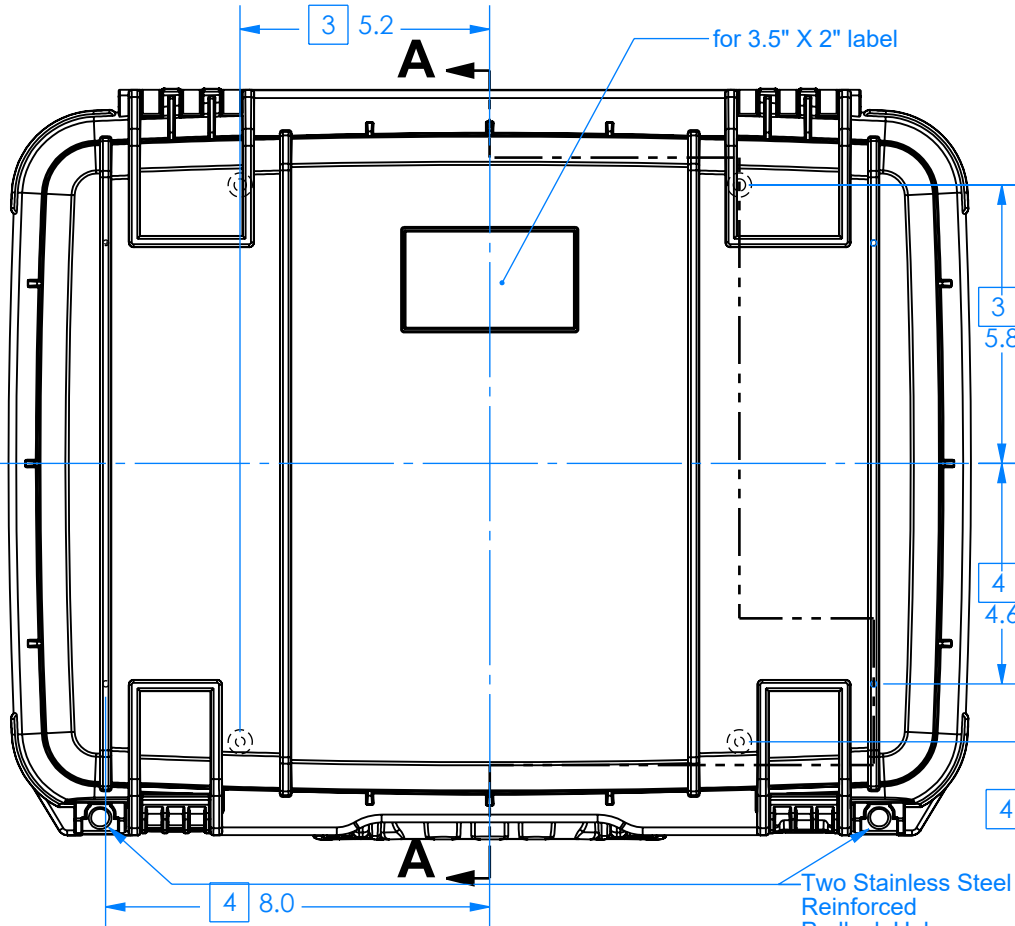
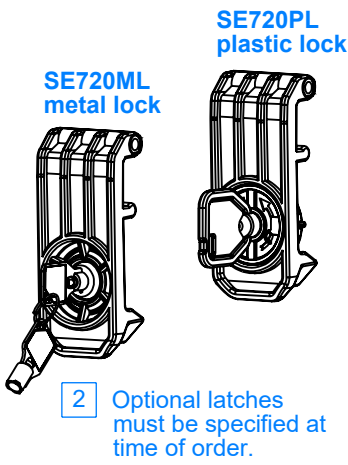
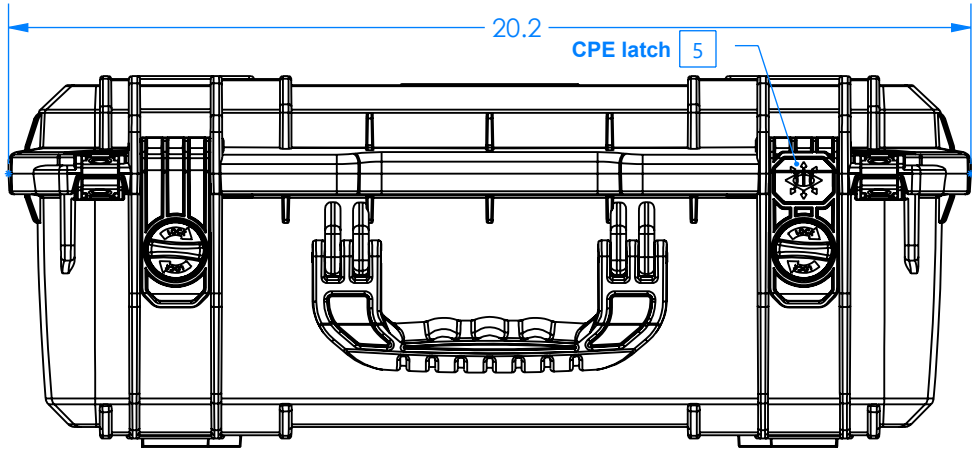


SE720

SEAHORSE PROTECTIVE EQUIPMENT CASES



SECTION A-A



Holes for shoulder strap. PN 8704 (not included)

NOTES:

- 1) Max. usable inside dimensions are:
18" X 13" X 6 1/4"
(6 3/4" bottom of boss) (18" X 13" X 6.2")
- 2) Latch with Metal Lock p/n SE720ML or with Plastic Lock p/n SE720PL are optional.
- 3) Bosses on bottom use a 1/4 self tapping screw.
- 4) Bosses on top use a #10 self tapping screw.
- 5) CPE = Continous Pressure Equilization latch.