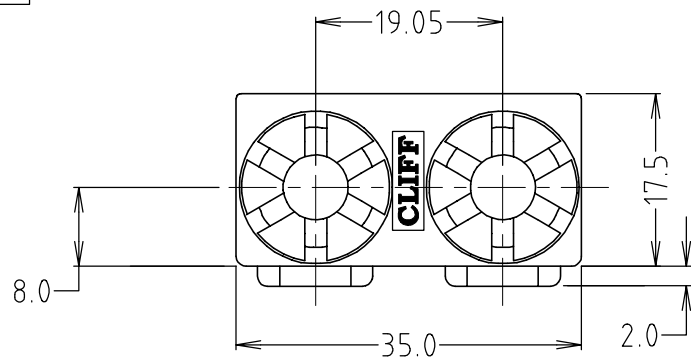
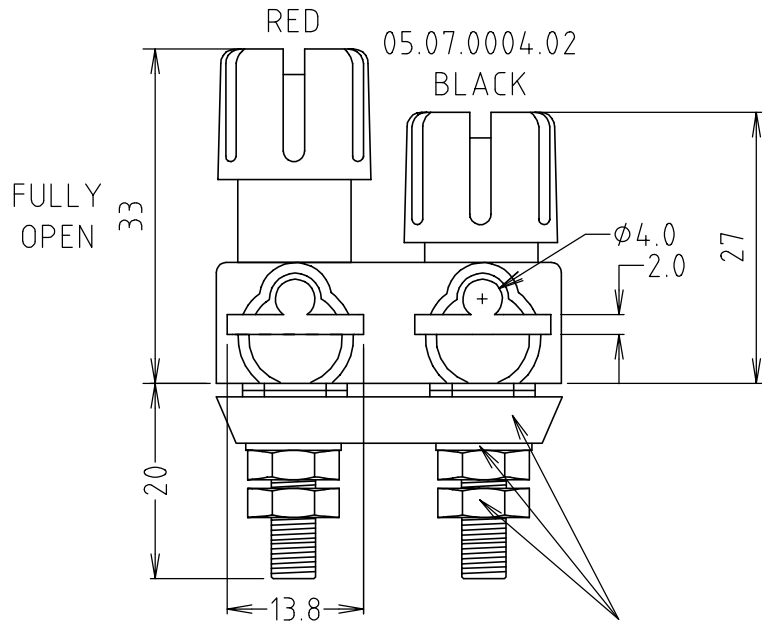
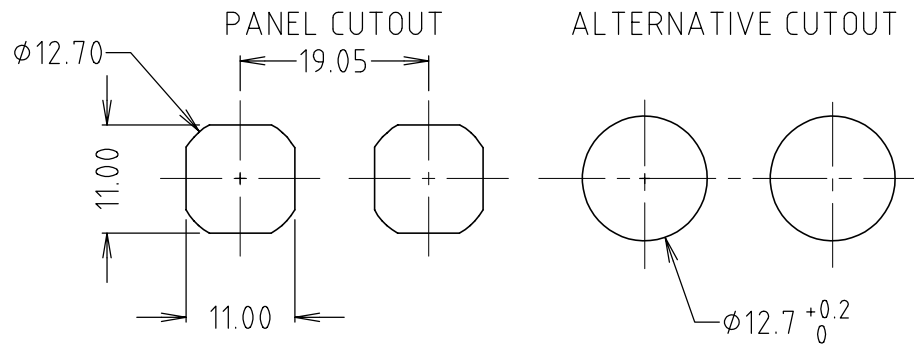


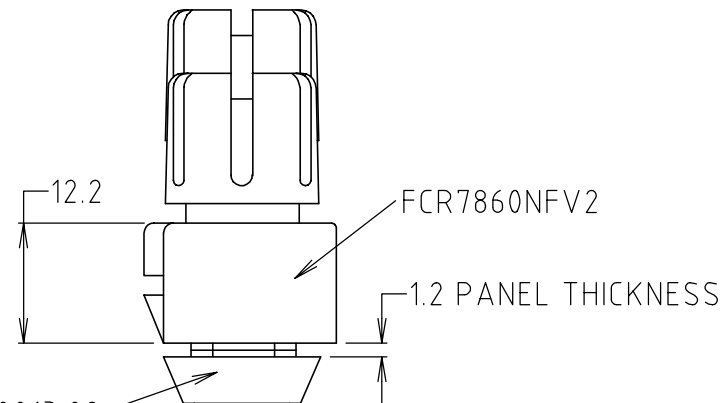
ISS.	AMEND	DATE
1	ISSUED	13/04/12
2	UPDATE+ADD ASSEM	01/12/20



05.07.0004.07



FULLY CLOSED



05.14.0013.02  
FCR or OD7880SA9  
FCR or OD7880SA7  
TIGHTEN TO MAX 1.2NM

FCR7883F  
10-32 UNF

TOP INSULATORS - BLACK  
BOTTOM INSULATORS - BLACK

SEE TABLE

**RoHS**  
COMPLIANT

**TOLERANCE**  
NO DEC. PLACE ±  
1 DEC. PLACE ±  
2 DEC. PLACE ±  
HOLE Ø ±  
ANGLES ±  
UNLESS OTHERWISE STATED

DO NOT SCALE

PART No.	NUTS + WASHERS + BOTTOM INSULATOR
CL159706X1	UNASSEMBLED - BULK PACKED IN TRAYS
CL159706X1A	ASSEMBLED - PACK 1x PER BAG

**Cliff Electronic Components Ltd.**  
76 Holmethorpe Avenue, Holmethorpe Industrial Estate,  
Redhill, Surrey, RH1 2PF, England, UK  
Tel: 01737-771375 Fax: 01737-766012 Website: www.cliffuk.co.uk

DIMENSIONS IN MILLIMETERS UNLESS OTHERWISE STATED. WORK TO DIMENSIONS. REMOVE ALL BURRS. IF IN DOUBT ASK.

3rd ANGLE PROJECTION:

MATERIAL: POLYAMIDE 94-V2 / P.P. / BRASS

FINISH: AS MOULDED / Ni PLATED

DRAWN: T.J.O.

APPROVED: D.P.J.

TITLE: TERMINAL ASSEMBLY TPP/5 RED BLACK

DRWG. No. **CL159706X1**

FORM: A4DRWGH

THE CONTENTS OF THIS DOCUMENT MUST NOT BE COPIED OR DISCLOSED TO A 3rd PARTY WITHOUT WRITTEN PERMISSION OF CLIFF UK. © 2012