

**Mains Power Cord, UL Listed, NEMA 5-15P to IEC 60320 C13, 1.83 m, 6ft. , 13A, Black.**

**RoHS  
Compliant**

Stock No.: PE07501US-SJT-13

## FEATURES

- 5-15P TO C13
- SJT
- 16 AWG
- Y Splitter



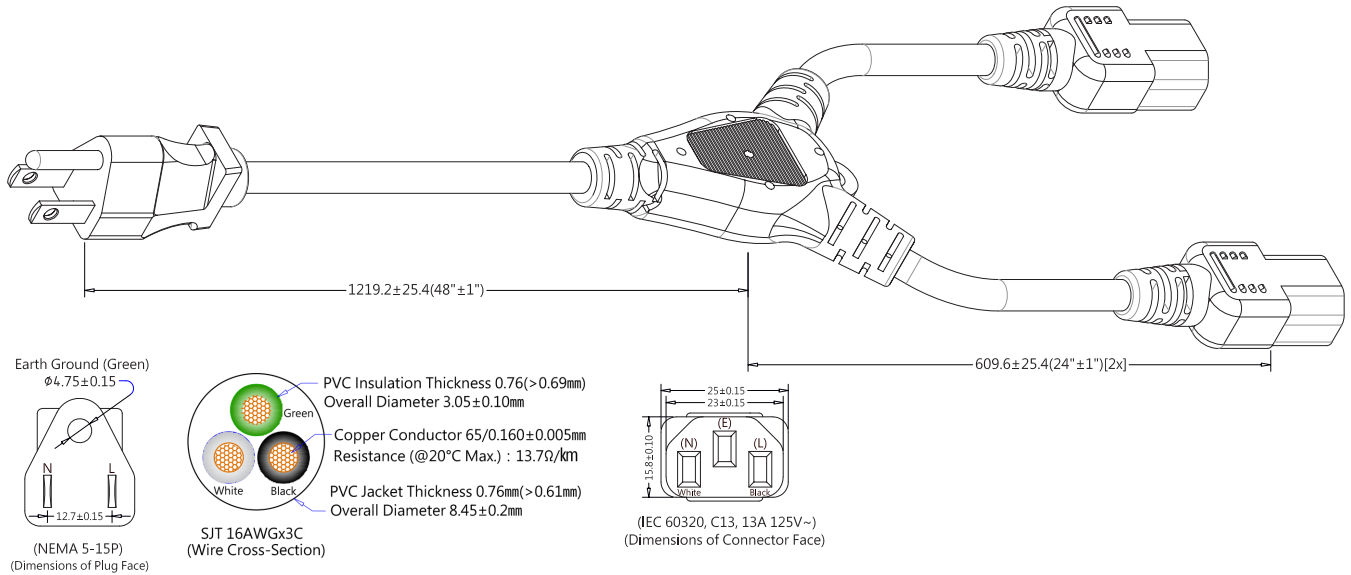
## Product Description

The Universal Power Cords are a perfect replacement for your lost, damaged, or inadequate power cord. They are designed to work with most PCs, monitors, scanners, printers, and other devices that use the 3-pin C13 connector. This cable features a fully molded design that provides maximum durability and long-life.

## General Specifications

Attribute	Value
Connector to Connector	NEMA 5-15P to IEC 60320 C13
Connector Type A	NEMA 5-15P
Connector Type B	IEC 60320 C13
Cable Length	1.83m
Current Rating	13A
Jacket Color	Black

## Product Drawing



Dimensions: Millimeters (Inches)

### Part Number Table

Part Number	Description
PE07501US-SJT-13	Mains Power Cord, UL Listed, NEMA 5-15P to IEC 60320 C13, 1.83 m, 6ft., 13A, Black.

Important Notice: This data sheet and its contents (the "Information") belong to the members of the EASE group of companies (the "Group") or are licensed to it. No license is granted for the use of it other than for information purposes in connection with the products to which it relates. No license of any intellectual property rights is granted. The Information is subject to change without notice and replaces all data sheets previously supplied. The Information supplied is believed to be accurate, but the Group assumes no responsibility for its accuracy or completeness, any error in or omission from it or for any use made of it. Users of this data sheet should check for themselves the Information and the suitability of the products for their purpose and not make any assumptions based on information included or omitted. Liability for loss or damage resulting from any reliance on the Information or use of it (including liability resulting from negligence or where the Group was aware of the possibility of such loss or damage arising) is excluded. This will not operate to limit or restrict the Group's liability for death or personal injury resulting from its negligence. EASE is the registered trademark of Ease Electronics Co., Limited 2019.