

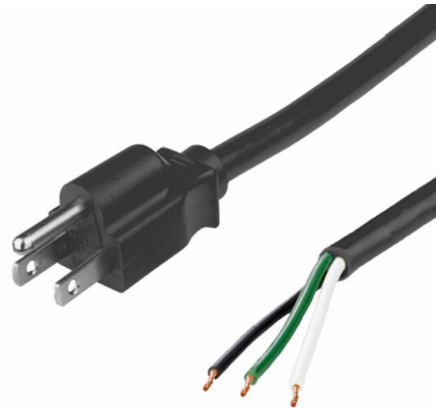
Mains Power Cord, UL Listed, NEMA 5-15P to Free End, 14.8ft, 4.5 m, 15A, Black

**RoHS
Compliant**

Stock No.: P18001US-SJ-15

FEATURES

- 5-15P TO Free End
- SJ
- 14 AWG



Product Description

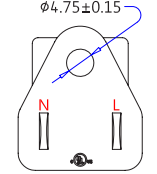
The Universal Power Cords are a perfect replacement for your lost, damaged, or inadequate power cord. They are designed to work with most PCs, monitors, scanners, printers, and other devices that use the 3-pin connector. This cable features a one end molded design that provides maximum flexibility and long-life.

General Specifications

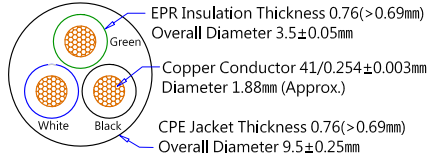
| Attribute | Value |
|------------------------|------------------------|
| Connector to Connector | NEMA 5-15P to Free end |
| Connector Type A | NEMA 5-15P |
| Connector Type B | Free end |
| Cable Length | 4.5m |
| Current Rating | 15A |
| Jacket Color | Black |

Product Drawing

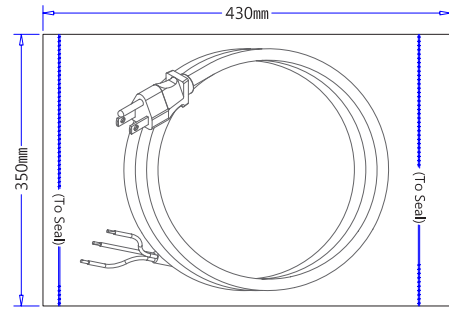
Earth Ground (Green)



(NEMA 5-15P)
(Dimensions of Plug Face)



SJ 14AWGx3C
(Wire Cross-Section)



(T/0.08cm)
(Insert Into a Clear Plastic Bag)

Dimensions : Millimetres

| Plug Component | | |
|----------------|---|-----|
| Colour | Component | Qty |
| 35P (Black) | (Nema 5-15P) | 1 |
| Nickel-plated | 4.75 GEM 98475ABS-1 (#14-#18) (Earth Pins Terminal) | 1 |
| Nickel-plated | 6.3×15 (#14AWG) GEM 98675BBS-1 (Solid Blades) | 2 |
| Black | 301-1 (5-15P Inner Body) | 1 |

| Dimension | | |
|-----------|-------|-----------|
| Strip | ROJ | Colour |
| 6 +1/-0 | 22 ±2 | Black (L) |
| 6 +1/-0 | 22 ±2 | White (N) |
| 6 +1/-0 | 22 ±2 | Green (E) |

Wire Styles

SJ 14AWGx3C

90°C Black

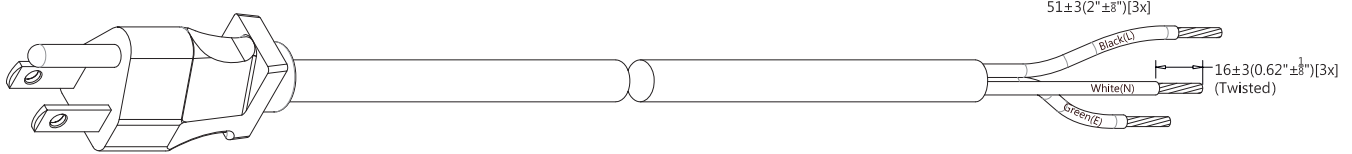
Length : 4572mm ±50.8mm
180.6" ±2"

| Dimensions | | |
|------------|-------|-----------|
| ROJ | Strip | Colour |
| 51±6 | 19 ±3 | Black (L) |
| 51±6 | 19 ±3 | White (N) |
| 51±6 | 19 ±3 | Green (E) |

Dimensions : Millimetres

Note:

1. Hi-Pot Test : 1,500V/1Sec; <0.5mA
2. Insulation Resistance Test : DC 500/min>100mΩ
3. Continuity & Polarization Test : No short circuit, break circuit, displacement.
4. Each end terminal shall be capable of withstanding a pull of 25lbs for 1 minutes without loosening.
5. Strain relief shall be capable of withstanding a pull of 35lbs for 1 minutes with out loosening.
6. All material according to Non-toxic standard.



Dimensions: Millimeters (Inches)

Part Number Table

| Part Number | Description |
|----------------|--|
| P18001US-SJ-15 | Mains Power Cord, UL Listed, NEMA 5-15P to Free End, 14.8ft, 4.5 m, 15A, Black |

Important Notice: This data sheet and its contents (the "Information") belong to the members of the EASE group of companies (the "Group") or are licensed to it. No license is granted for the use of it other than for information purposes in connection with the products to which it relates. No license of any intellectual property rights is granted. The Information is subject to change without notice and replaces all data sheets previously supplied. The Information supplied is believed to be accurate, but the Group assumes no responsibility for its accuracy or completeness, any error in or omission from it or for any use made of it. Users of this data sheet should check for themselves the Information and the suitability of the products for their purpose and not make any assumptions based on information included or omitted. Liability for loss or damage resulting from any reliance on the Information or use of it (including liability resulting from negligence or where the Group was aware of the possibility of such loss or damage arising) is excluded. This will not operate to limit or restrict the Group's liability for death or personal injury resulting from its negligence. EASE is the registered trademark of Ease Electronics Co., Limited 2019.