

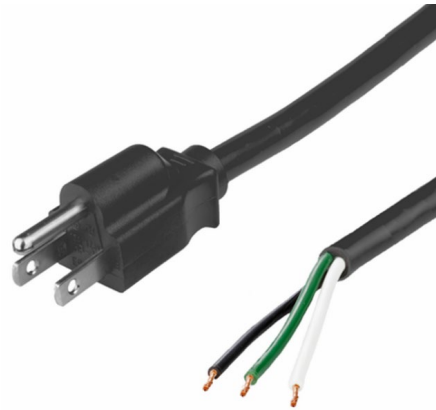
Mains Power Cord, UL Listed, NEMA 5-15P to Free End, 6.6ft, 2 m, 10A, Black.

**RoHS
Compliant**

Stock No.: P08001US-SVT

FEATURES

- 5-15P TO Free End
- SVT
- 18 AWG



Product Description

The Universal Power Cords are a perfect replacement for your lost, damaged, or inadequate power cord. They are designed to work with most PCs, monitors, scanners, printers, and other devices that use the 3-pin connector. This cable features a one end molded design that provides maximum flexibility and long-life.

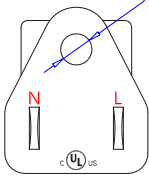
General Specifications

Attribute	Value
Connector to Connector	NEMA 5-15P to Free end
Connector Type A	NEMA 5-15P
Connector Type B	Free end
Cable Length	2m
Current Rating	10A
Jacket Color	Black

Product Drawing

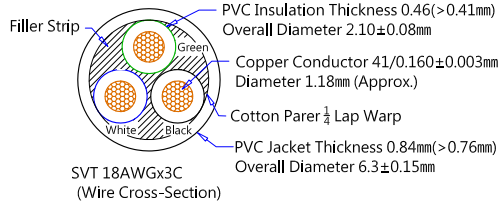
Earth Ground (Green)

$\phi 4.75 \pm 0.15$

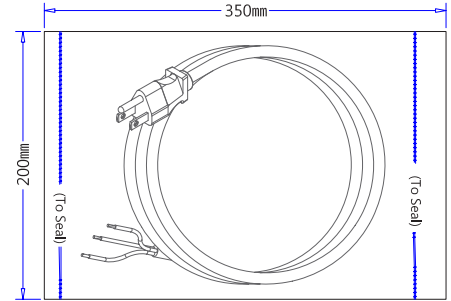


(NEMA 5-15P)

(Dimensions of Plug Face)



SVT 18AWGx3C
(Wire Cross-Section)

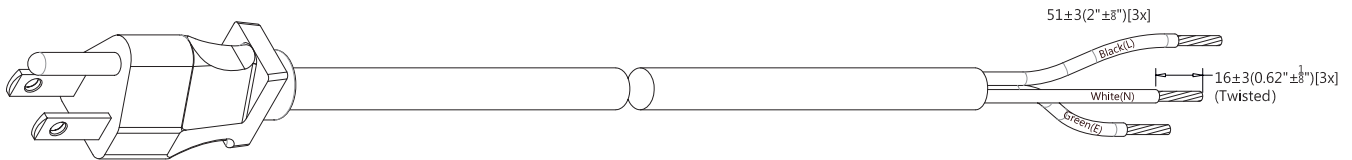


(T/0.08cm)

(Insert Into a Clear Plastic Bag)

Plug Component			Plug Component (Dimension)		
Colour	Component	Qty	RIJ	Split	Colour
35P (Black)	(Nema 5-15P)	1	6 +1/-0	22 ±2	Brown (L)
Nickel-plated	4.75 GEM 98475ABS-1 (#14-#18) Earth Pins Terminal	1	6 +1/-0	22 ±2	Blue (N)
Nickel-plated	6.3×1.5 (#16-18) GEM 98675BBS-1 (Solid Blades)	2	6 +1/-0	22 ±2	Green-Yellow (E)
Black	301-1 (5-15P Inner Body)	1			

Free End Terminal Style (Dimensions)		
ROJ	Strip	Colour
50.8±3	15.8±1.5	Brown (L)
50.8±3	15.8±1.5	Blue (N)
50.8±3	15.8±1.5	Green-Yellow (E)



Dimensions: Millimeters (Inches)

Part Number Table

Part Number	Description
P08001US-SVT	Mains Power Cord, UL Listed, NEMA 5-15P to Free End, 6.6ft, 2 m, 10A, Black.

Important Notice: This data sheet and its contents (the "Information") belong to the members of the EASE group of companies (the "Group") or are licensed to it. No license is granted for the use of it other than for information purposes in connection with the products to which it relates. No license of any intellectual property rights is granted. The Information is subject to change without notice and replaces all data sheets previously supplied. The Information supplied is believed to be accurate, but the Group assumes no responsibility for its accuracy or completeness, any error in or omission from it or for any use made of it. Users of this data sheet should check for themselves the Information and the suitability of the products for their purpose and not make any assumptions based on information included or omitted. Liability for loss or damage resulting from any reliance on the Information or use of it (including liability resulting from negligence or where the Group was aware of the possibility of such loss or damage arising) is excluded. This will not operate to limit or restrict the Group's liability for death or personal injury resulting from its negligence. EASE is the registered trademark of Ease Electronics Co., Limited 2019.