

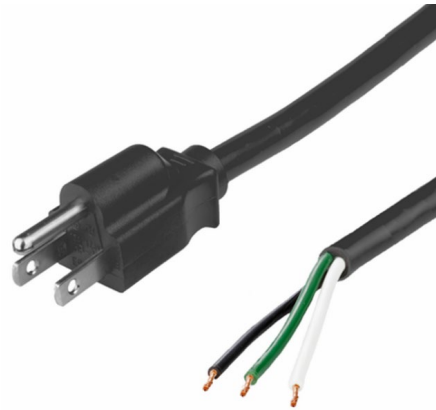
**Mains Power Cord, UL Listed, NEMA 5-15P to Free End, 10A, 6ft, 1.83 m, Black.**

**RoHS  
Compliant**

Stock No.: P07202US-SJ

## FEATURES

- 5-15P TO Free End
- SJ
- 18 AWG



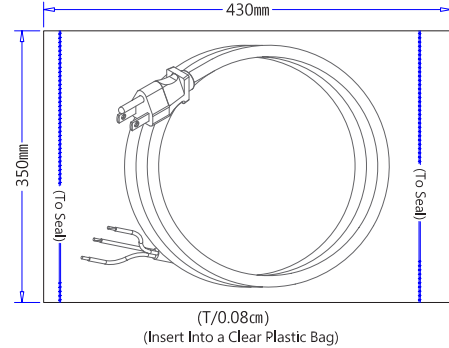
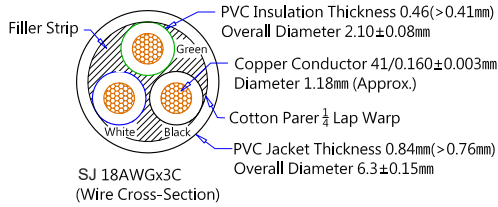
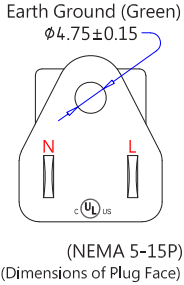
## Product Description

The Universal Power Cords are a perfect replacement for your lost, damaged, or inadequate power cord. They are designed to work with most PCs, monitors, scanners, printers, and other devices that use the 3-pin connector. This cable features a one end molded design that provides maximum flexibility and long-life.

## General Specifications

Attribute	Value
Connector to Connector	NEMA 5-15P to Free end
Connector Type A	NEMA 5-15P
Connector Type B	Free end
Cable Length	1.83m
Current Rating	10A
Jacket Color	Black

## Product Drawing

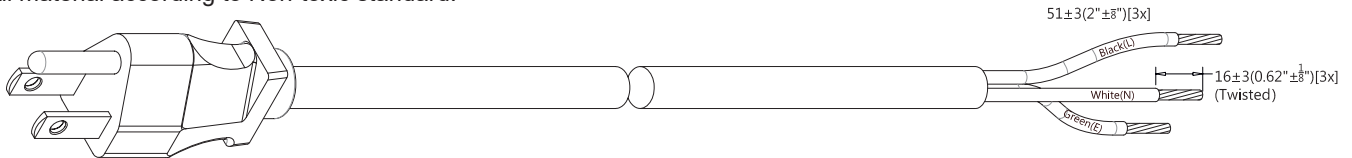


Plug Component			Plug Component (Dimension)		
Colour	Component	Qty	RJ	Split	Colour
35P (Black)	(Nema 5-15P)	1	6 +1/-0	22±2	Brown (L)
Nickel-plated	$\phi 4.75$ GEM 98475ABS-1 (#14-#18) Earth Pins Terminal	1	6 +1/-0	22±2	Blue (N)
Nickel-plated	6.3×1.5 (#16-18) GEM 98675BBS-1 (Solid Blades)	2	6 +1/-0	22±2	Green-Yellow (E)
Black	301-1 (5-15P Inner Body)	1			

Free End Terminal Style (Dimensions)		
Strip	ROJ	Colour
15.8±1.5	76.2±3	Brown (L)
15.8±1.5	76.2±3	Blue (N)
15.8±1.5	76.2±3	Green-Yellow (E)

### Note:

1. Hi-Pot Test : 1,500V/1Sec; <0.5mA
2. Insulation Resistance Test : DC 500/min >100mΩ
3. Continuity & Polarization Test : No short circuit, break circuit, displacement.
4. Each end terminal shall be capable of withstanding a pull of 25lbs for 1 minutes without loosening.
5. Strain relief shall be capable of withstanding a pull of 35lbs for 1 minutes without loosening.
6. All material according to Non-toxic standard.



Dimensions: Millimeters (Inches)

## Part Number Table

Part Number	Description
P07202US-SJ	Mains Power Cord, UL Listed, NEMA 5-15P to Free End, 10A, 6ft, 1.83 m, Black.

Important Notice: This data sheet and its contents (the "Information") belong to the members of the EASE group of companies (the "Group") or are licensed to it. No license is granted for the use of it other than for information purposes in connection with the products to which it relates. No license of any intellectual property rights is granted. The Information is subject to change without notice and replaces all data sheets previously supplied. The Information supplied is believed to be accurate, but the Group assumes no responsibility for its accuracy or completeness, any error in or omission from it or for any use made of it. Users of this data sheet should check for themselves the Information and the suitability of the products for their purpose and not make any assumptions based on information included or omitted. Liability for loss or damage resulting from any reliance on the Information or use of it (including liability resulting from negligence or where the Group was aware of the possibility of such loss or damage arising) is excluded. This will not operate to limit or restrict the Group's liability for death or personal injury resulting from its negligence. EASE is the registered trademark of Ease Electronics Co., Limited 2019.