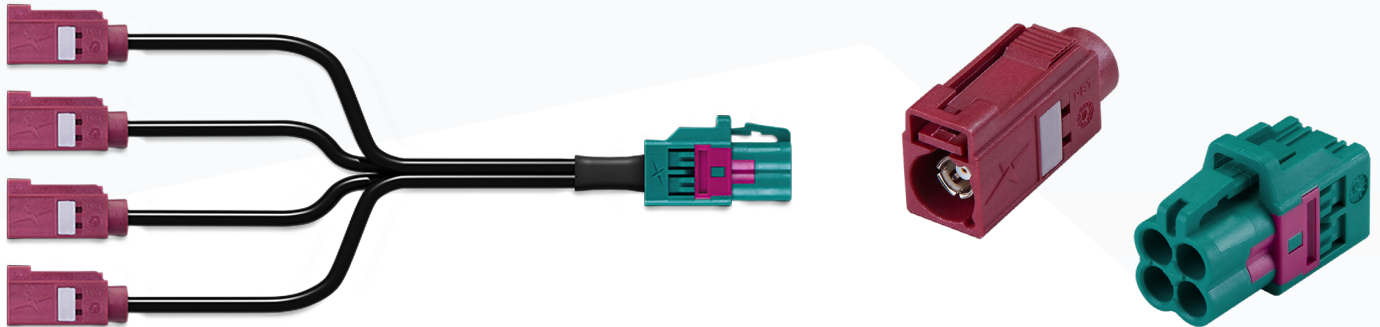


Quad FAKRA Code Z Cable Assembly

QZCAB Series - Quad Code Z to 4* Code D Gen 1 FAKRA



Product description

Taoglas is a leading provider of advanced technology for a smarter world. Our solutions include advanced components and technologies and help OEMs, enterprises, and communities to resolve the complexities of bringing digital transformation solutions to market quickly and cost effectively. Focused on best-in-class, high-performance antenna and RF design with advanced positioning, imaging, audio and artificial intelligence technologies, Taoglas understands the importance of high-performance connections.

Taoglas Quad FAKRA Mini Coax connectors utilizes four metal SMB connectors embedded within a plastic enclosure. The modular system is intelligently colour coded and keyed for ease of identification and assembly. They save on weight and offer a space saving of up to 75% when compared to conventional FAKRA connectors and are designed for high-volume production assemblies. They are manufactured with the highest precision and are thoroughly tested to meet USCAR-2 and USCAR-17 standards and in turn provide superior performance.

All Taoglas connectors are RoHS & REACH compliant. The Water Blue Code Z connector is perfect for a diverse range of application but typically used for DSRC/ other connections and is available in both Jack and Plug and for multiple cable diameters.

Cable Assemblies

Taoglas offers an extensive and customisable range of cable assemblies for multiple advanced components and IoT applications. This range also includes additional Quad FAKRA compatible with any of our gen 1 FAKRA connector catalogue and SMA catalogue.

Check out our full range of Quad Fakra cable assemblies

Features

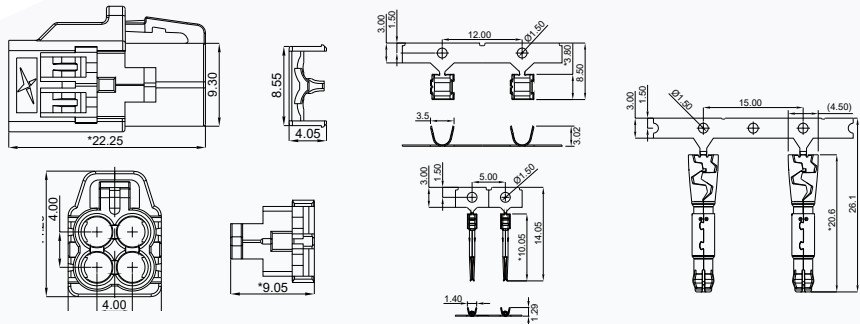
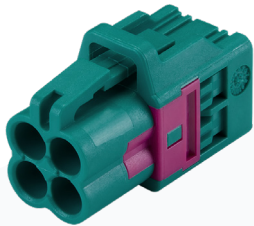
- Quad FAKRA Cable Assembly
- 1x Code Z Water Blue FAKRA Connector
- RF performance up to 6GHz
- RG-174 Cable
- 4x Code D Connectors
- RoHS & Reach Compliant
- Fully compliant to USCAR requirements

Quad FAKRA
Code A - Black
Code B - White
Code C - Blue
Code D - Bordeaux Violet
Code E - Green
Code F - Brown
Code Z - Water Blue



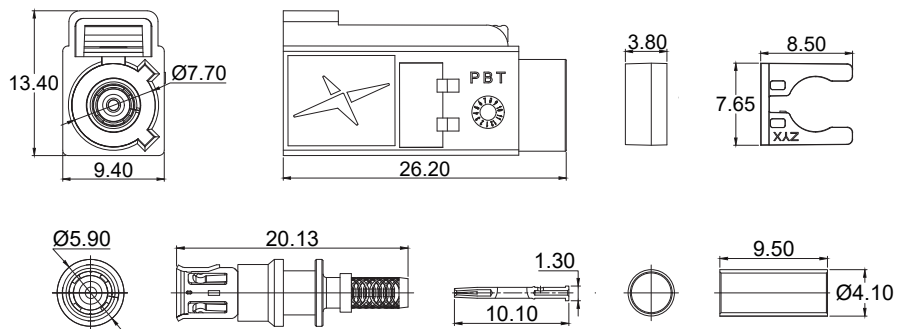


Quad FAKRA Code Z - Cable Assembly



FKQRZFZ Specifications

Electrical	
Impedance	50Ω Nominal
Operating Frequency	0 ~ 9000MHz
Mechanical	
Insertion Force	≤45N
Withdraw Force	≥5N
Latch force	≥110N
Mating cycle	≥25
Terminal Tensile Strength	≥30N
Storage and Operational Temperature Range	-40°C - 105°C
Cable Range	
Suitable Cables	RG-174, RG-316, TGC-1.5DS
Conductor Range	0.61mm



FK1FDDK Specifications

Electrical	
Impedance	50Ω Nominal
Frequency Range	DC - 6000MHz
VSWR (Return Loss)	0 ~ 3000MHz < 1.3 3000 ~ 6000MHz < 1.5
D.W.V	800 VRMS, Min
Insulation Resistance	≥100MΩ
Mechanical	
Durability	25 Cycles Min
Insertion Force	≤25N
Withdraw Force	≥2N
Locking Device Strength	≥80N
Outer Contact Retention Force in Housing	≥100N
Suitable Cables	TGC-1.5DS, RG-174, RG-316, CFD200
Storage and Operational Temperature Range	-40°C - 105°C



Quad FAKRA Code Z - Cable Assembly

RG-174 Cable

2.8mm Diameter Coaxial Cable

303015A000096A

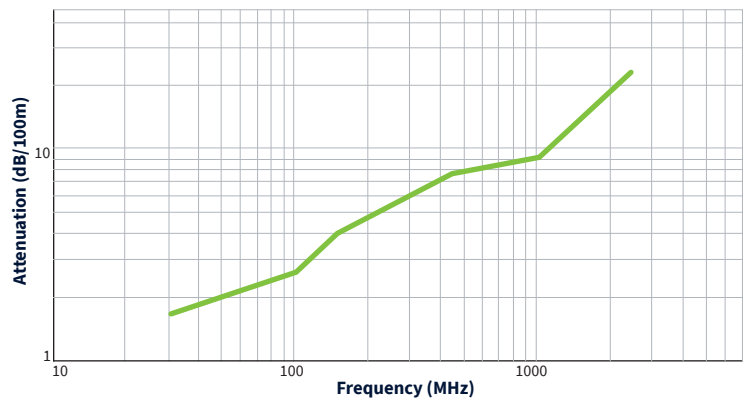


Part Designation	Material	Outer Diameter
Conductor	Copper	0.51
Insulation	PE	1.48
Shield	Tinned-Copper	1.91
Jacket	PVC	2.8 ± 0.08

Mechanical Specifications	
Performance Property	Spec.
Minimum Bend Radius	25.4mm
Cable Weight	0.013 kg/m
Environment Specifications	
Storage Temperature Range	-40°C to +85°C
Operating Temperature Range	-40°C to +85°C

Electrical Specifications	
Performance Property	Spec.
Impedance	50 Ω
Capacitance	96.5 ± 3 pF/m

Attenuation vs. Frequency



Frequency MHz	30	50	100	146	440	1000	2400
Attenuation	18.04	21.65	28.87	42.65	82.02	98.42	246.06

Taoglas makes no warranties based on the accuracy or completeness of the contents of this document and reserves the right to make changes to specifications and product descriptions at any time without notice. Taoglas reserves all rights to this document and the information contained herein. Reproduction, use or disclosure to third parties without express permission is strictly prohibited.



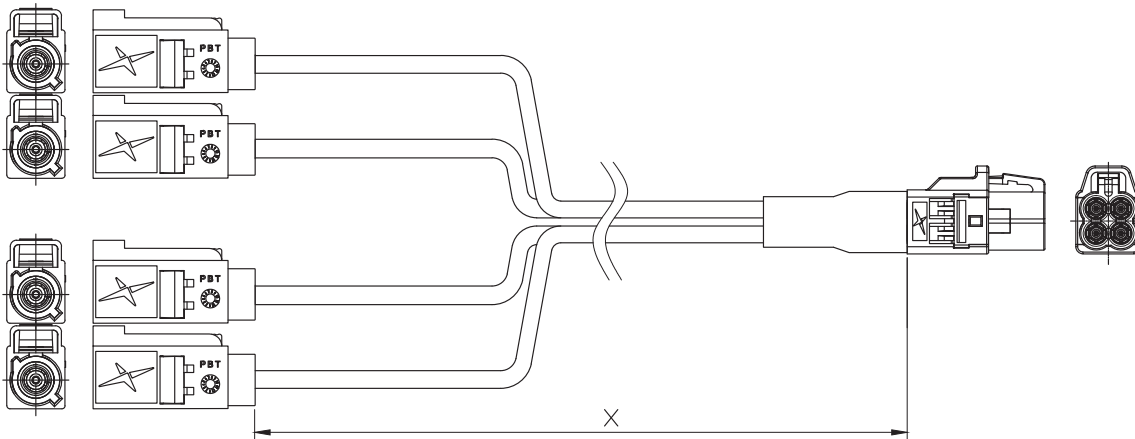


Quad FAKRA Code Z - Cable Assembly

QZCAB Series Cable Assembly



Mechanical Drawings



Part Number	X (mm)	X (inch)	Description
QZCAB.001	152	6	FAKRA Quad Mini Z Plug to 152mm (6") RG-174 to 4x FAKRA Gen1 Code D Jack
QZCAB.002	305	12	FAKRA Quad Mini Z Plug to 305mm (12") RG-174 to 4x FAKRA Gen1 Code D Jack
QZCAB.003	610	24	FAKRA Quad Mini Z Plug to 610mm (24") RG-174 to 4x FAKRA Gen 1 Code D Jack
QZCAB.004	915	36	FAKRA Quad Mini Z Plug to 915mm (36") RG-174 to 4x FAKRA Gen1 Code D Jack

Taoglas makes no warranties based on the accuracy or completeness of the contents of this document and reserves the right to make changes to specifications and product descriptions at any time without notice. Taoglas reserves all rights to this document and the information contained herein. Reproduction, use or disclosure to third parties without express permission is strictly prohibited.

