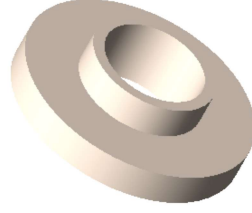
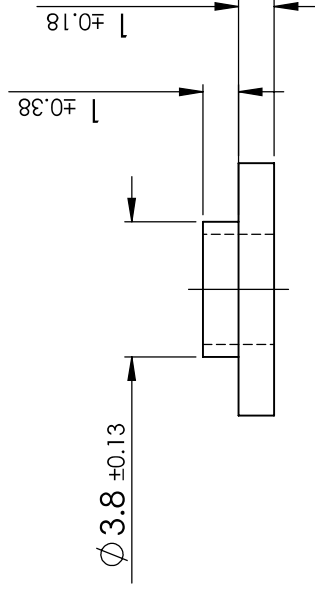
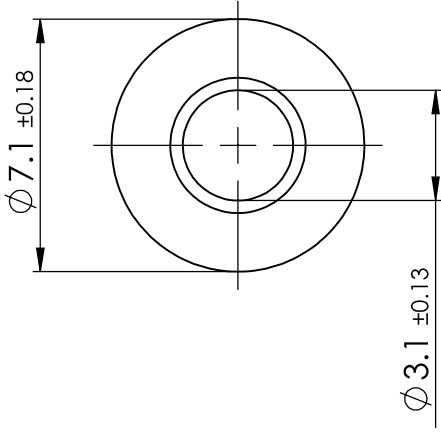


SCREW SIZE
M3



© 2013 Essentra Components. All rights reserved.
Registered in England, Company No. 547495.
Registered Office: Essentra plc
Langford Locks, Kidlington, Oxford, OX5 1HX

Condition of Sale can be found on our website: essentra.com.

Essentra Components does not warrant that the files will be error free and may create new versions ("Upgrades") at any time, which may correct such errors. Essentra Components has no obligation to notify you of such upgrades. Any upgraded file will be published to the website, when it becomes available.

You are not permitted to load any of the files on to a network server for the purposes of distribution to one or more other computer(s) on that network or to effect such distribution. Essentra Components shall not be liable for any loss or damage whatsoever or however caused, arising directly or indirectly from the use of the files.

UNCONTROLLED COPY

STATUS

APPROVED DRAWING

UNLESS OTHERWISE STATED

ALL DIMENSIONS IN mm

DO NOT SCALE

LINEAR TOLERANCE	THIRD ANGLE PROJECTION
SIZE (0) (0.00)	
0-10 ±0.5 ±0.15 ±0.10	
>10-30 ±0.5 ±0.20 ±0.15	
>30-50 ±0.5 ±0.30 ±0.20	
>50-100 ±0.8 ±0.50 ±0.25	
>100-200 ±1.5 ±0.80 ±0.40	
>200-300 ±2.0 ±1.20 ±0.80	
>300-500 ±3.0 ±2.00 ±1.00	
>500 ±5.0 ±3.00 ±1.50	

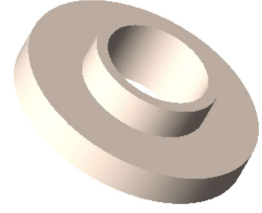
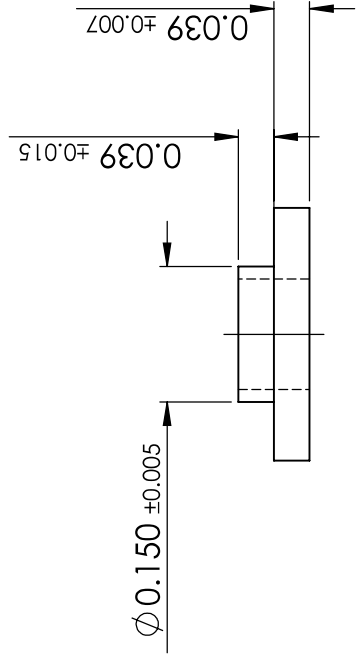
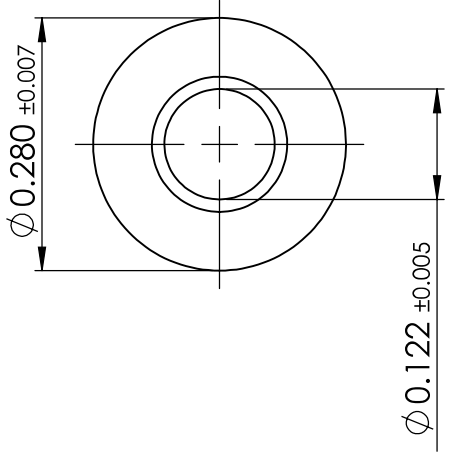
ANGULAR TOLERANCE	UNSPECIFIED RADI	DRAFT ANGLE	DIMENSIONS IN BRACKETS [] ARE
±0.5 DEGREES	0.25mm	0.5 DEGREES	[] ARE
			[] IN INCHES FOR REFERENCE ONLY

CREATE DATE	10.10.2022	ORG. SCALE	5:1
ITEM CODE	10161135	MATERIAL	POLYAMIDE
LEGACY NUMBER	MINIM3-1.0	COLOUR / FINISH	NATURAL

TITLE:
SHOULDER WASHER

DWG. No.	10161135	SHEET	1 of 2	ISSUE	1
----------	----------	-------	--------	-------	---

SCREW SIZE
M3



© 2013 Essentra Components. All rights reserved.
Registered in England, Company No. 547495.
Registered Office: Essentra plc
Langford Locks, Kidlington, Oxford, OX5 1HX

Condition of Sale can be found on our website: essentra.com.
Essentra Components does not warrant that the files will be error free and may create new versions ("Upgrades") at any time, which may correct such errors. Essentra Components has no obligation to notify you of such upgrades. Any upgraded file will be published to the website, when it becomes available.

You are not permitted to load any of the files on to a network server for the purposes of distribution to one or more other computer(s) on that network or to effect such distribution. Essentra Components shall not be liable for any loss or damage whatsoever or however caused, arising directly or indirectly from the use of the files.

UNCONTROLLED COPY

STATUS
APPROVED DRAWING

UNLESS OTHERWISE STATED

ALL DIMENSIONS IN inches		DO NOT SCALE
LINEAR TOLERANCE		THIRD ANGLE PROJECTION
SIZE	(0.001) (0.0000)	
0 - 0.394	+0.020 ±0.006 ±0.004	
>0.394 - 1.181	+0.020 ±0.008 ±0.006	
>1.181 - 1.969	+0.020 ±0.012 ±0.008	
>1.969 - 3.937	+0.031 ±0.020 ±0.010	
>3.937 - 7.874	+0.059 ±0.031 ±0.016	ANGULAR TOLERANCE
>7.874 - 11.811	+0.079 ±0.047 ±0.031	+0.5 DEGREES
>11.811 - 19.685	+0.118 ±0.079 ±0.039	UNSPECIFIED RADIUS 0.010 inch
>19.685	+0.197 ±0.118 ±0.059	DRAFT ANGLE 0.5 DEGREES
		MINIMUM SPACINGS FOR
		ARE IN INCHES FOR
		REFERENCE ONLY

CREATE DATE	10.10.2022	ORG. SCALE	1:1
ITEM CODE	10161135	MATERIAL	POLYAMIDE
LEGACY NUMBER	MINIM3-1.0	COLOUR / FINISH	NATURAL
TITLE: SHOULDER WASHER			

DWG. NO.	10161135	SHEET	2 of 2	ISSUE	1
----------	----------	-------	--------	-------	---