

## CS53-00P24-07-1

Rev. 1-2023  
RoHS3 & REACH  
Planar Magnetic Speakers



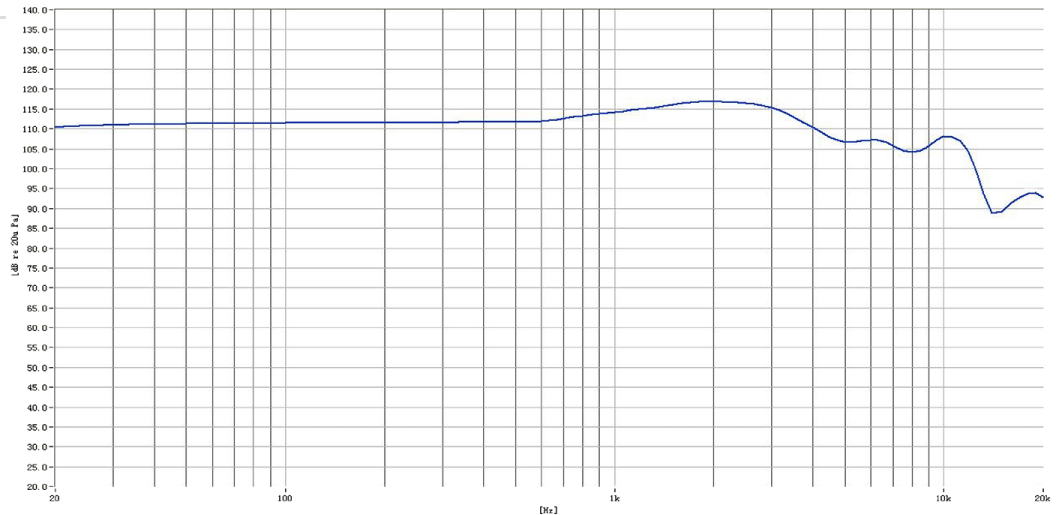
### Operating Characteristics

#### ELECTRICAL

Rated Power	0.02 W
Short Term Max Power	0.04 W
Impedance	32 Ω ± 15 % 240 Hz; 0.001 W

#### ACOUSTIC: IEC-318 Artificial Ear

$f_0$	240 Hz ± 15 % 0.001 W
Freq. Range	20 to 20000 Hz
Rated SPL	114 ± 2 dB 1000 Hz; AVG; 0.001 W;
Distortion	Max 1 % 1000 Hz; 0.001 W



### Physical Characteristics

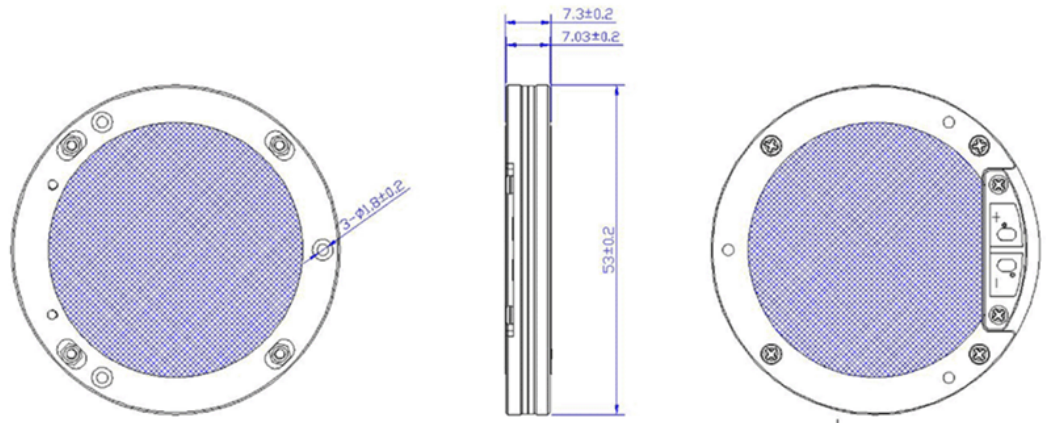
#### MATERIALS

Housing	Aluminum Alloy
Cone	PET+PU
Magnet	NdFeB
Solder Pad	Tin Plated Copper

#### TEMPERATURE RANGES

Operating	-25 to +60 °C
Storage	-25 to +60 °C

Weight	55 g
--------	------



General tolerance = ±0.2 mm and all measurements in mm unless otherwise noted.

Revision	Description	By	Date
0-2023	Original Specification.	SK	2023-08-17
1-2023	Updated Mechanical Drawing: overall height changed from 7 to 7.3mm and added 7.03mm height without mesh covers.	SK	2023-11-10

Warranty: For a period of one (1) year from date of shipping under normal operations conditions. This warranty does not apply to products damaged through misuse, abuse, improper installation, alteration, rework, or attempt to repair.

The information contained herein is believed to be correct, but no guarantee or warranty, express or implied, with respect to accuracy, completeness or results is extended and no liability is assumed. Challenge Electronics reserves the right to make changes in any specification, data or material contained herein.