

SD103AW...SD103CW-ML Surface Mount Schottky Barrier Diodes

Features

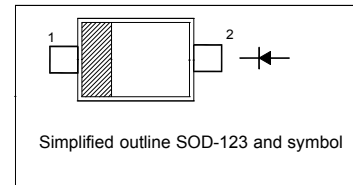
- Low Forward Voltage

INFORMATION

Type No.	Marking
SD103AW-ML	S4
SD103BW-ML	S5
SD103CW-ML	S6

PINNING

PIN	DESCRIPTION
1	Cathode
2	Anode



Absolute Maximum Ratings ($T_a = 25\text{ °C}$)

Parameter	Symbol	Value	Unit		
Peak Repetitive Reverse Voltage	V_{RRM}	SD103AW-ML SD103BW-ML SD103CW-ML	40 30 20	V	
Reverse Voltage		V_R	SD103AW-ML SD103BW-ML SD103CW-ML	40 30 20	V
Average Forward Rectified Current			$I_{F(AV)}$	350	mA
Non-Repetitive Peak Forward Surge Current at $t = 1\text{ s}$	I_{FSM}		2	A	
Power Dissipation	P_{tot}	400	mW		
Operating and Storage Temperature Range	T_j, T_{stg}	- 65 to + 125	°C		

Characteristics at $T_a = 25\text{ °C}$

Parameter	Symbol	Min.	Typ.	Max.	Unit	
Reverse Breakdown Voltage at $I_R = 10\text{ }\mu\text{A}$	$V_{(BR)R}$	SD103AW-ML SD103BW-ML SD103CW-ML	40 30 20	- - -	V	
Reverse Leakage Current at $V_R = 30\text{ V}$ at $V_R = 20\text{ V}$ at $V_R = 10\text{ V}$		I_R	SD103AW-ML SD103BW-ML SD103CW-ML	- - -	5 5 5	μA
Forward Voltage at $I_F = 20\text{ mA}$ at $I_F = 200\text{ mA}$			V_F	- -	- -	0.37 0.6
Total Capacitance at $V_R = 0\text{ V}$, $f = 1\text{ MHz}$	C_T			-	50	-
Reverse Recovery Time at $I_F = I_R = 200\text{ mA}$, $I_{rr} = 0.1 I_R$, $R_L = 100\text{ }\Omega$	t_{rr}	-	10	-	ns	

TYPICAL CHARACTERISTICS

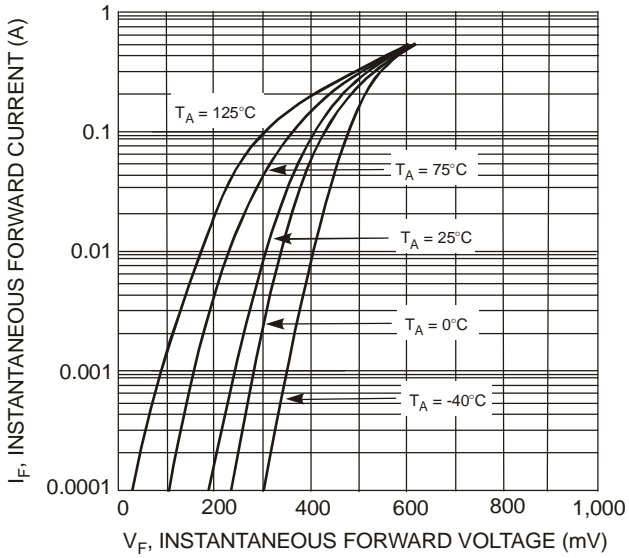


Fig. 1 Typical Forward Characteristics

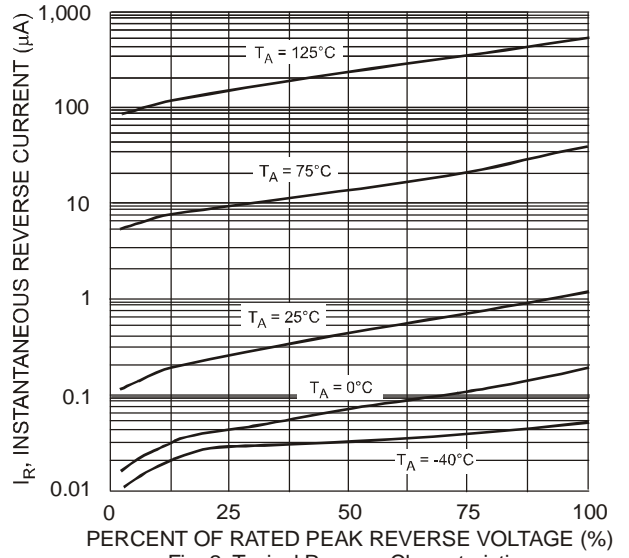


Fig. 2 Typical Reverse Characteristics

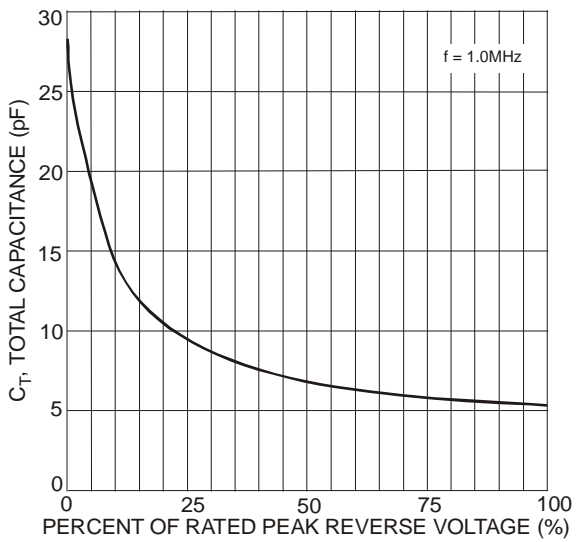


Fig. 3 Total Capacitance vs. Reverse Voltage

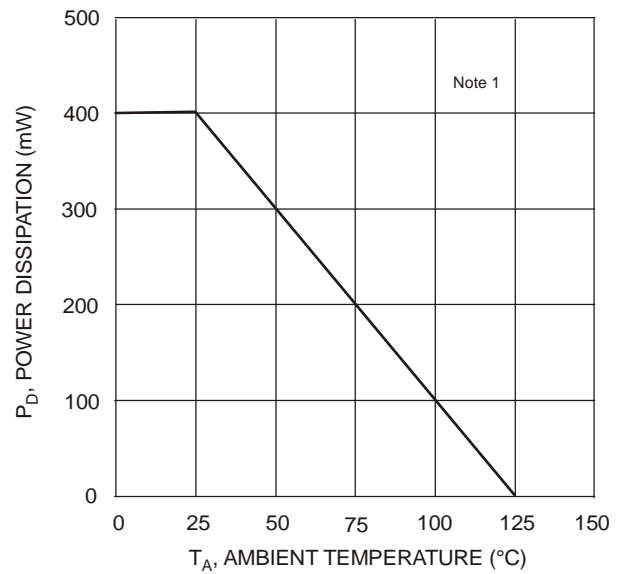
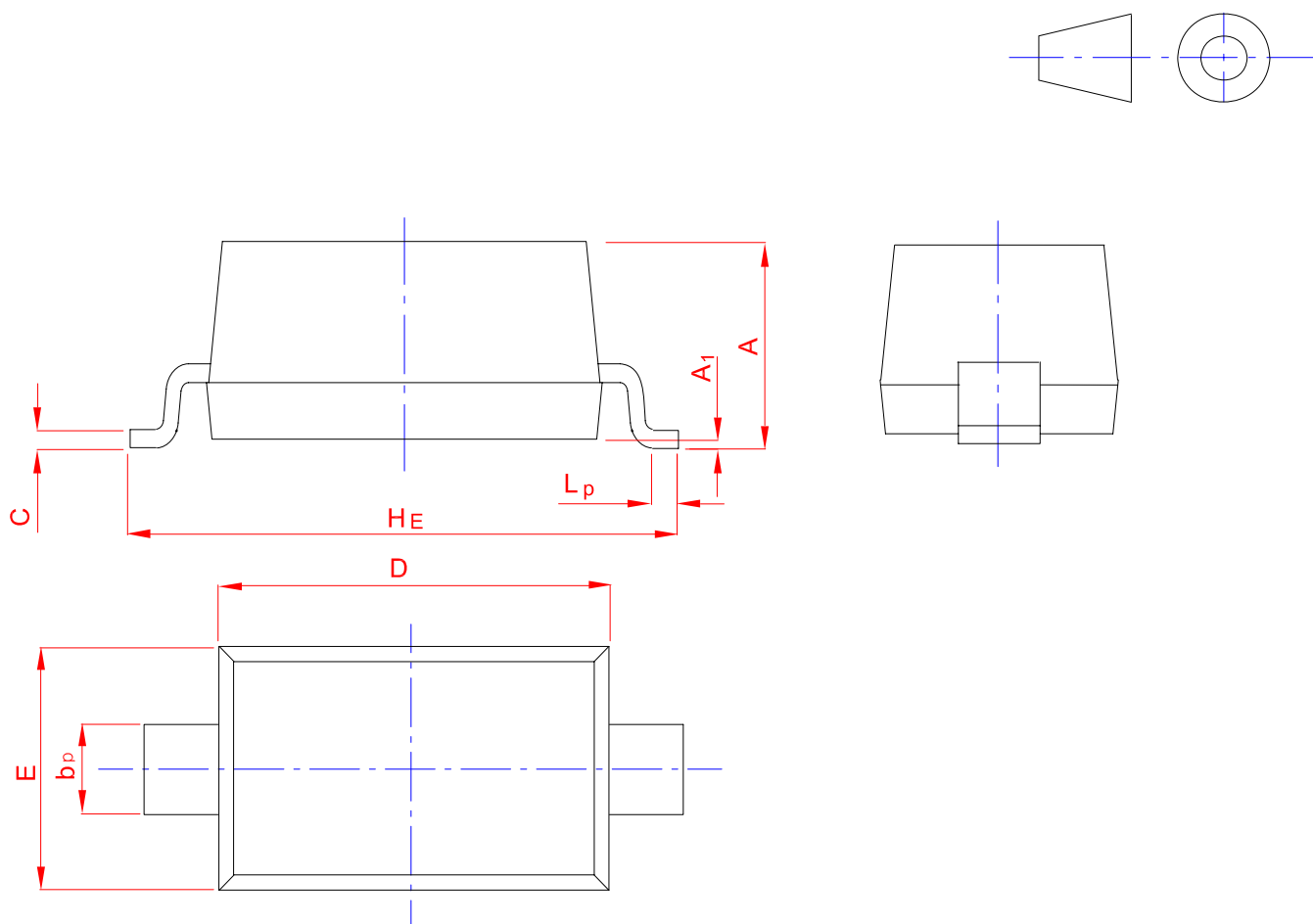


Fig. 4 Power Derating Curve

PACKAGE OUTLINE

Plastic surface mounted package; 2 leads

SOD-123



UNIT	A	bp	C	D	E	HE	A1	Lp
mm	1.20	0.60	0.135	2.75	1.65	3.85	0.10	0.50
	0.90	0.50	0.100	2.55	1.55	3.55	0.01	0.20

Disclaimer

The information presented in this document is for reference only. MOSLEADER reserves the right to make changes without notice for the specification of the products displayed herein to improve reliability, function or design or otherwise.

The product listed herein is designed to be used with ordinary electronic equipment or devices, and not designed to be used with equipment or devices which require high level of reliability and the malfunction of which would directly endanger human life (such as medical instruments, transportation equipment, aerospace machinery, nuclear-reactor controllers, fuel controllers and other safety devices), MOSLEADER or anyone on its behalf, assumes no responsibility or liability for any damages resulting from such improper use of sale.