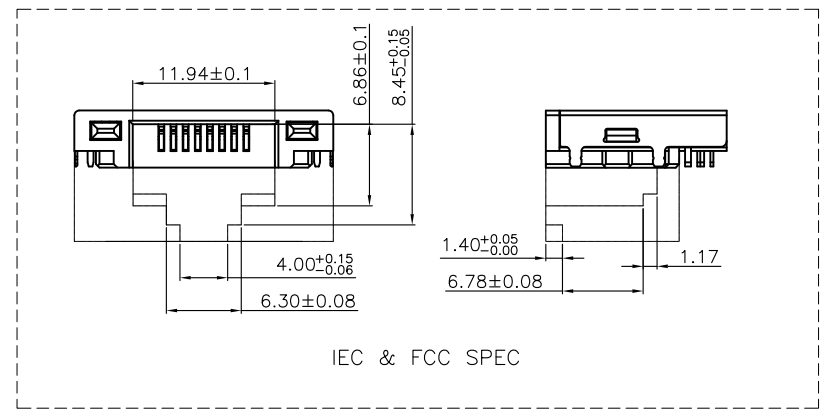
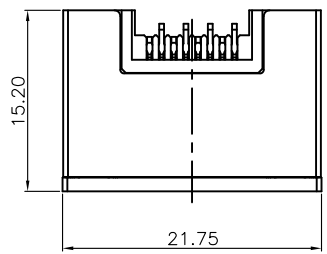
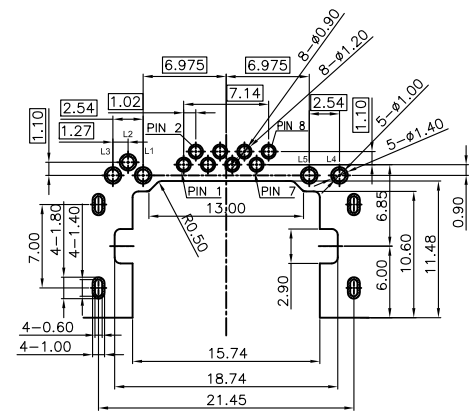
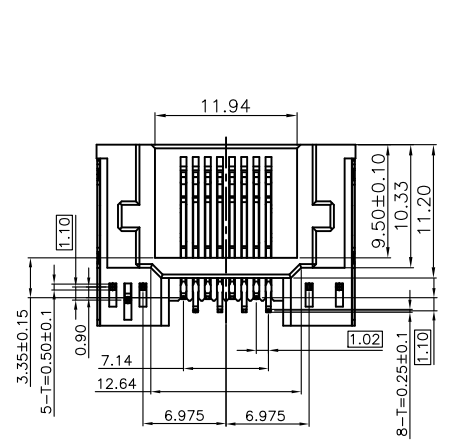
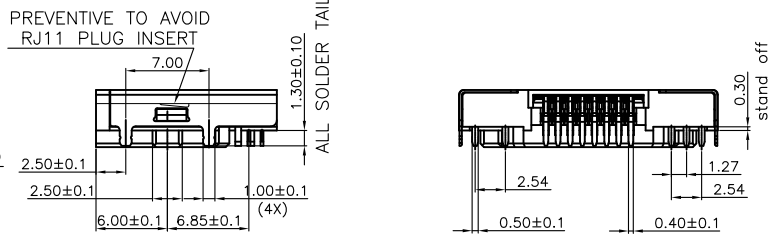
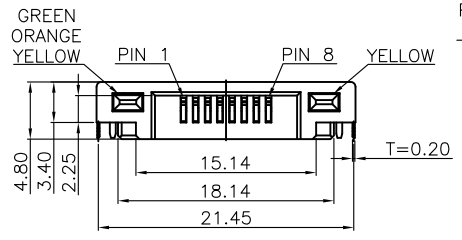


REV.	NOTES	DATE
A	RELEASED	2023/04/15

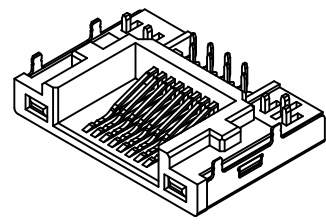


IEC & FCC SPEC

- NOTES:
- 1>.MATERIAL:
- 1.1.HOUSING:PA9T HF UL94V-0,BLACK
 - 1.2.SHELL:STAINLESS STEEL T=0.20
 - 1.3.CONTACT:COPPER ALLOY T=0.25mm
 - 1.4.LED:SEE TABLE
- 2>.PRODUCT SPECIFICATIONS:
- 2.1.VOLTAGE RATING:125V
 - 2.2.CURRENT RATING:1.5A
 - 2.3.INSULATION RESISTANCE:500 MΩ MIN
 - 2.4.CONTACT RESISTANCE:30 mΩ MAX(INITIAL)
 - 2.5.DIELECTRIC WITHSTANDING VOLTAGE:UNMATED CONNECTORS, APPLY 1000 V DC OR AC PEAK FOR 1 MINUTE BETWEEN ADJACENT TERMINAL OR GROUND.
 - 2.6.OPERATION TEMPERATURE: -20°C~+85°C
 - 2.7.DURABILITY 5000 CYCLES
 - 2.8.MATING FORCE:20N MAX WITH LATCH DEPERESSED
 - 2.9.UNMATING FORCE:20N MAX WITH LATCH DEPERESSED
- 3>.FINISH:
- 3.1.CONTACT:GOLD PLATING(Au 3u"Min.) ON CONTACT AREA
50U" MIN NICKEL UNDERPLATING
80U" MIN MATTE TIN ON SOLDER TAIL
 - 3.2.SHELL:50U" MIN NICKEL OVER ALL
 - 3.3.LED: 50U" MIN MATTE TIN ON SOLDER TAIL



RECOMMENDED PCB LAYOUT
TOLERANCE:±0.05(TOP VIEW)
RECOMMENDED PCB
THICKNESS:1.6±0.05



STANDARD LED	WAVELENGTH(λ)	V/IF=20mA	
		max.	typ.
ORANGE	605nm	2.5V	2.1V
GREEN	570nm	2.5V	2.1V
YELLOW	585nm	2.5V	2.1V
RIGHT LED	L5+ L4- YELLOW		
LEFT LED	L1 L3	L1(-)L2(+)	GREEN
	L2 L4	L3(-)L2(+)	ORANGE
		L1/L3(-)L2(+)	YELLOW

單位(UNITS)	mm
數量(QT'Y)	N/A
材料(MT'L)	SEE NOTE
處理(FINISH)	SEE NOTE

EASE electronics
Ease Electronics Co., Limited

DIMENSIONS
TOLERANCE
METRIC

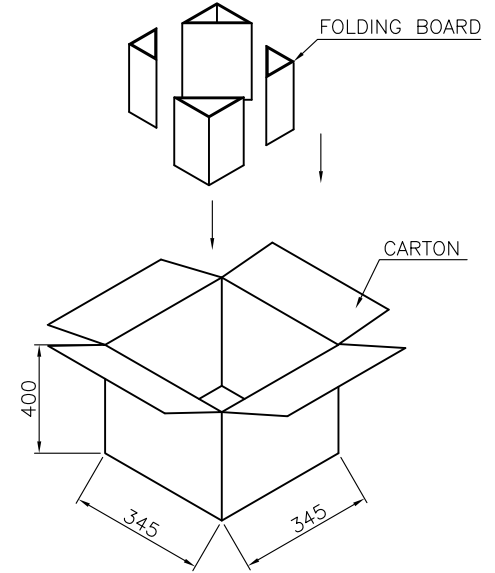
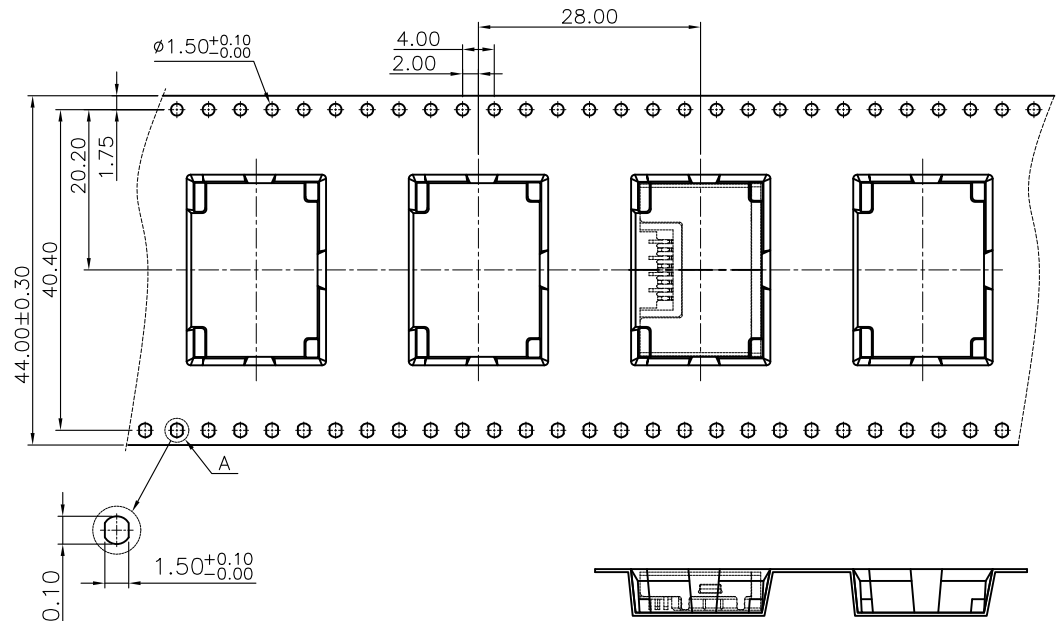
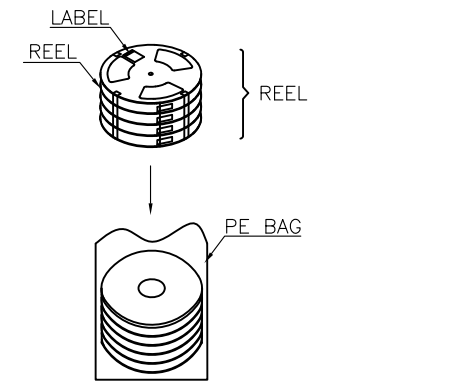
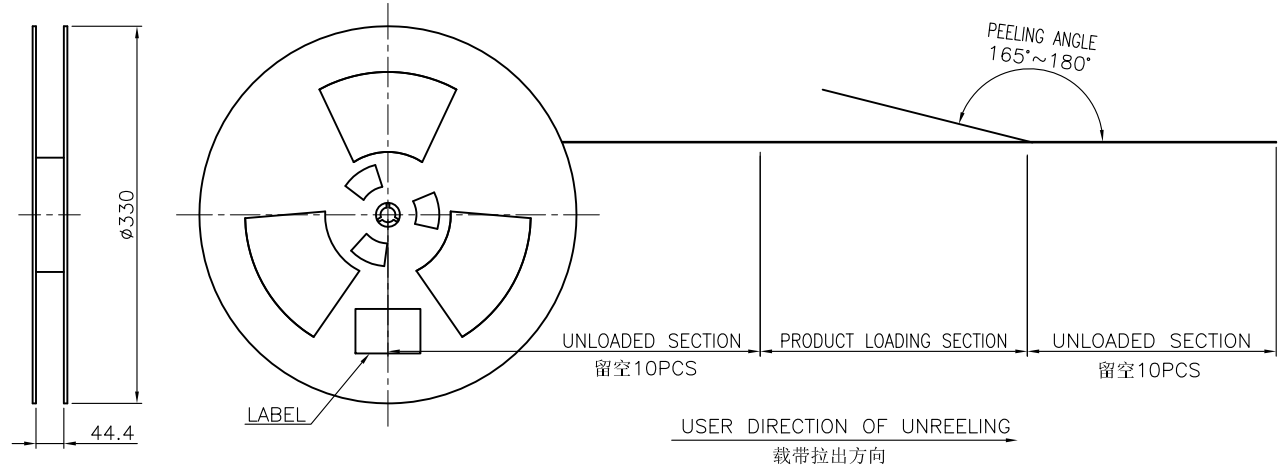
X :±0.5
X.X :±0.38
X.XX :±0.25

ANGLES

X :±1°
X.X :±0.5°

繪圖(DRAW)	圖名(NAME) RJ45半截式 H=4.8mm 帶灯 III			
設計(DE'N)	料號(PART NUMBER)		AARJ+RJ11A+9BA30	
審校(CH'K)	圖號(DRAW NUMBER)			
	圖檔(FILE NAME .DWG)			
核准(APP'D)	比例(SCALE)	1/1	圖紙(SIZE)	A4
	頁次(SHEET)	1/2	版次(REV.)	A

REV.	NOTES	DATE
A	RELEASED	2023/04/15



DETAIL A
SCALE 2:1

PACKING CAPACITY		
PCS/RELL	REEL/CARTON	PCS/CARTON
400	8	3200

DIMENSIONS TOLERANCE METRIC

X : ±0.5
X.X : ±0.38
X.XX : ±0.25

ANGLES
X : ±1°
X.X : ±0.5°

單位(UNITS)	mm
數量(QT'Y)	N/A
材料(MT'L)	SEE NOTE
處理(FINISH)	SEE NOTE

EASE electronics
Ease Electronics Co., Limited

繪圖(DRAW)		圖名(NAME) RJ45半截式 H=4.8mm 帶灯 HF			
設計(DE'N)		料號(PART NUMBER)	AARJ+RJ11A+9BA30		
審校(CH'K)		圖號(DRAW NUMBER)			
核准(APP'D)		圖檔(FILE NAME .DWG)			
		比例(SCALE)	1/1	圖紙(SIZE)	A4
		頁次(SHEET)	2/2	版次(REV.)	A