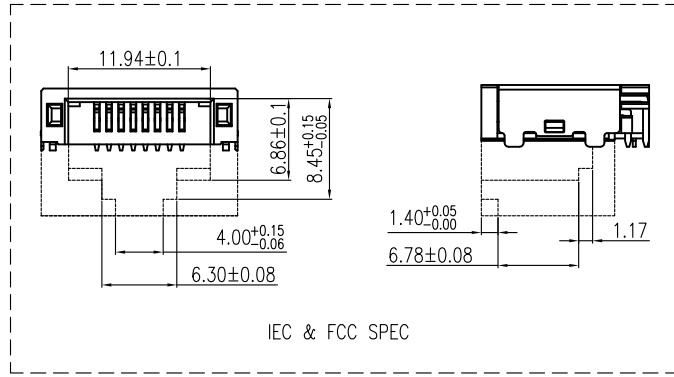
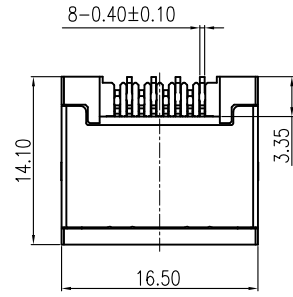
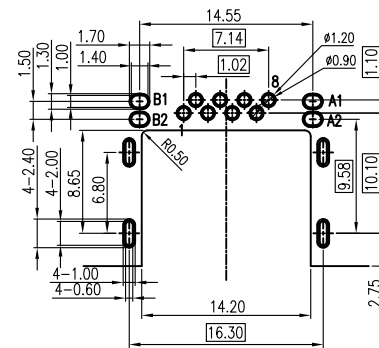
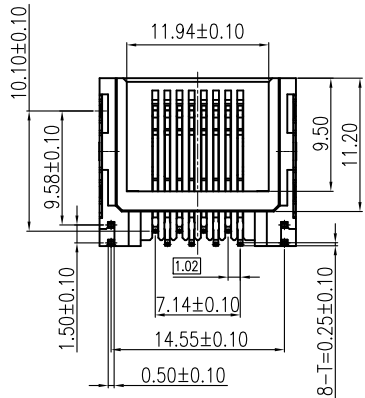
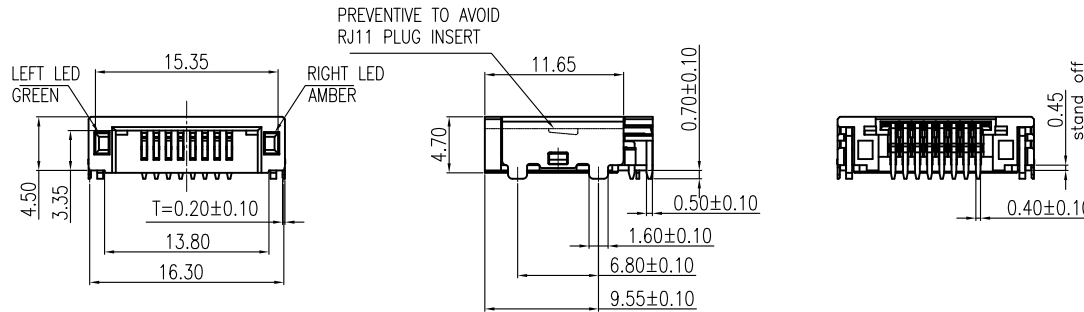


REV.	NOTES	DATE
A	RELEASED	2022/01/10



- NOTES:**
- 1>.MATERIAL:  
 1.1.HOUSING:PA9T HF UL94V-0,BLACK  
 1.2.SHELL:SUS304 1/4H,T=0.20  
 1.3.CONTACT:C5210-EH;T=0.25mm  
 1.4.LED:AMBER  
 1.5.LED:GREEN
- 2>.PRODUCT SPECIFICATIONS:  
 2.1.VOLTAGE RATING:125V  
 2.2.CURRENT RATING:1.5A  
 2.3.INSULATION RESISTANCE:500 MΩ MIN  
 2.4.CONTACT RESISTANCE:30 mΩ MAX(INITIAL)  
 2.5.DIELECTRIC WITHSTANDING VOLTAGE:UNMATED CONNECTORS, APPLY 1000 V DCOR AC PEAK FOR 1 MINUTE BETWEENADJACENT TERMINAL OR GROUND.  
 2.6.OPERATION TEMPERATURE: -20°C~+85°C  
 2.7.DURABILITY 5000 CYCLES  
 2.8.MATING FORCE:20N MAX WITH LATCH DEPERRESSED  
 2.9.UNMATING FORCE:20N MAX WITH LATCH DEPERRESSED
- 3>.FINISH:  
 3.1.CONTACT:GOLD PLATING(Au 3u"Min.) ON CONTACT AREA  
 50U"~100U" NICKEL UNDERPLATING  
 80U" MIN MATTE TIN ON SOLDER TAIL  
 3.2.SHELL:50U" MIN NICKEL OVER ALL  
 3.3.LED: 50U" MIN MATTE TIN ON SOLDER TAIL



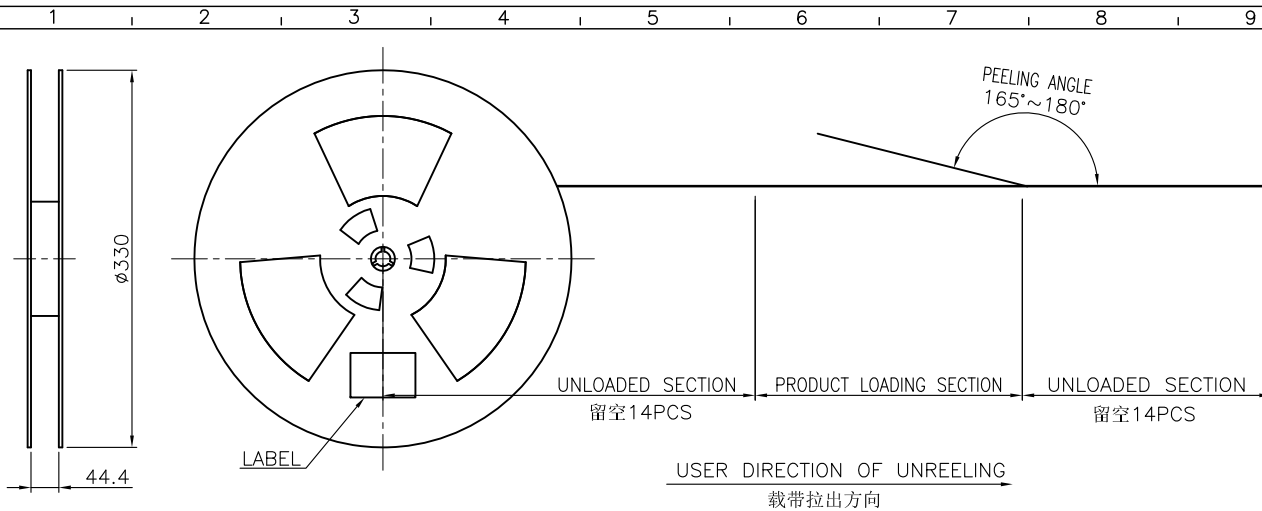
RECOMMENDED PCB LAYOUT  
 TOLERANCE:±0.05(TOP VIEW)  
 RECOMMENDED PCB THICKNESS:1.00±0.05

DIMENSIONS TOLERANCE METRIC

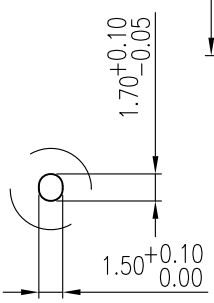
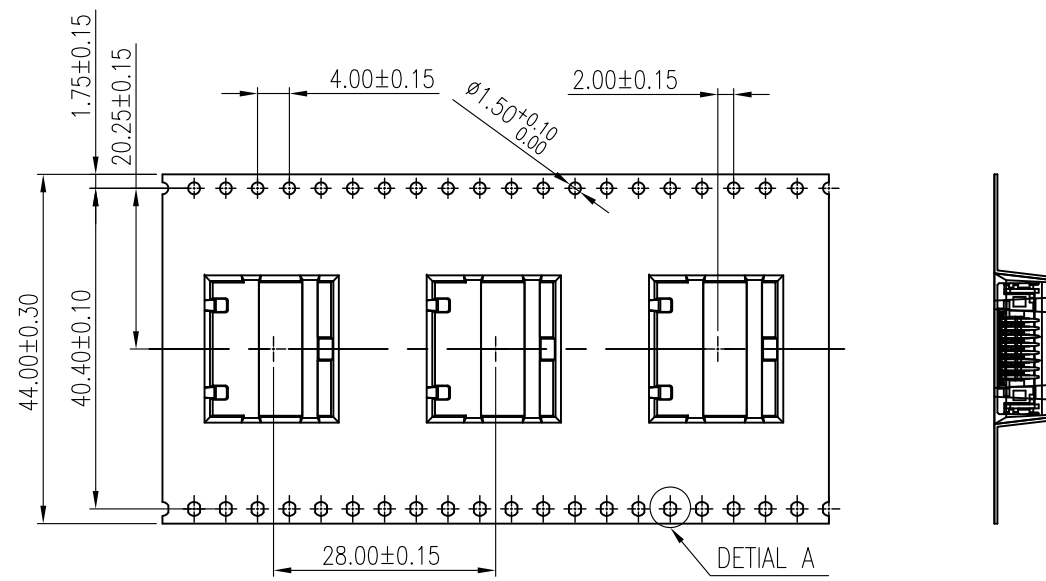
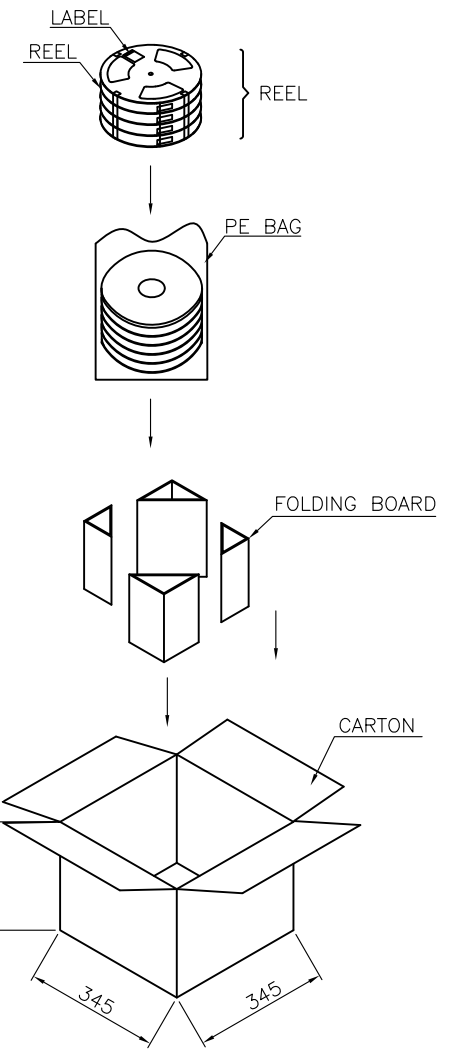
X	±0.5
X.X	±0.38
X.XX	±0.25
ANGLES	
X	±1'
X.X	±0.5'

NODE	COLOR	Wavelength	DC Forward Current	Forward Voltage		
A1(+)	A2(-)	AMBER	A1 → A2	600-610nm	20mA	1.8-2.4V
B1(+)	B2(-)	GREEN	B1 → B2	564-576nm	20mA	1.8-2.4V

單位(UNITS)	mm	<b>EASE</b> electronics Ease Electronics Co., Limited
數量(QT'Y)	N/A	
材料(MT'L)	SEE NOTE	
處理(FINISH)	SEE NOTE	圖名(NAME) RJ45半截式 H=4.7mm 帶灯 IHF
繪圖(DRAW)		料號(PART NUMBER) AARJ+RJ13A+9BA30
設計(DE'N)		圖號(DRAW NUMBER)
審校(CH'K)		圖檔(FILE NAME .DWG)
核准(APP'D)		比例(SCALE) 1/1 圖紙(SIZE) A4 頁次(SHEET) 1 版次(REV.) A



REV.	NOTES	DATE
A	RELEASED	2022/01/10



DETIAL A 2:1

PACKING CAPACITY		
PCS/RELL	REEL/CARTON	PCS/CARTON
360	9	3240

DIMENSIONS TOLERANCE METRIC

X :±0.5  
 X.X :±0.38  
 X.XX :±0.25

ANGLES  
 X :±1°  
 X.X :±0.5°

單位(UNITS)	mm
數量(QT'Y)	N/A
材料(MT'L)	SEE NOTE
處理(FINISH)	SEE NOTE
繪圖(DRAW)	
設計(DE'N)	
審校(CH'K)	
核准(APP'D)	



圖名(NAME)							
RJ45半截式 H=4.7mm 帶灯 HF							
料號(PART NUMBER)				AARJ+RJ13A+9BA30			
圖號(DRAW NUMBER)							
圖檔(FILE NAME .DWG)							
比例(SCALE)	1/1	圖紙(SIZE)	A4	頁次(SHEET)	2/2	版次(REV.)	A