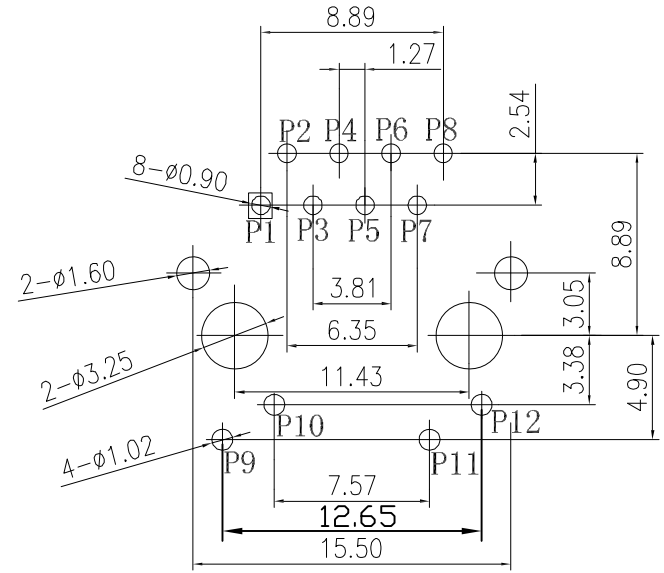
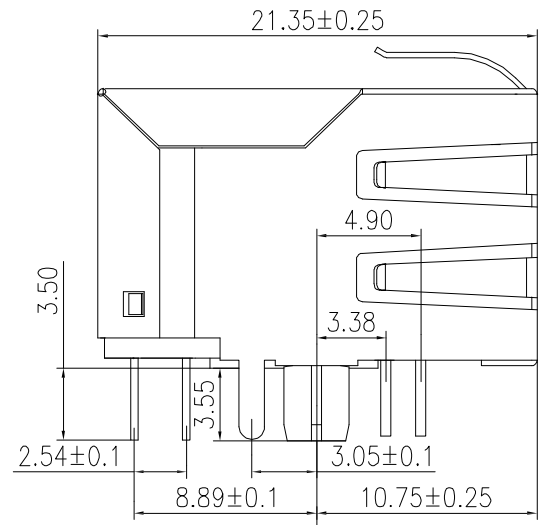
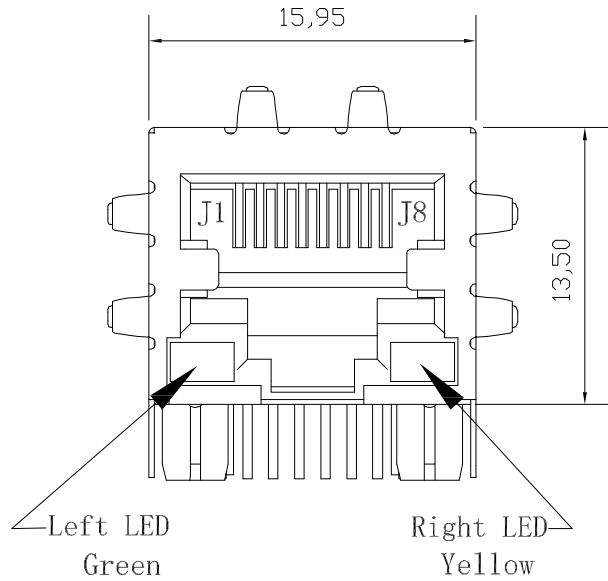
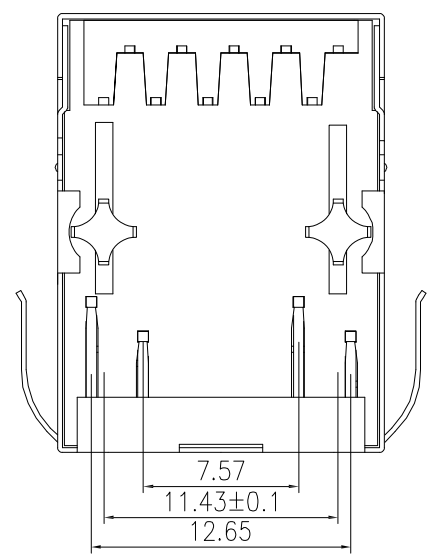


REV.	NOTES	DATE
A	RELEASED	2018/12/21



P. C. B RECOMMENDED HOLE LAYOUT SEEN FROM COMPONENT SIDE.
ALL CENTERLINE DIMENSIONS ARE BASIC



LED Specification

Standard LED Color	LED Wavelength	Forward (V MAX)	Typical (V TYP)	Luminous Intensity
Green	560-580 nm	2.5V	2.1-2.2V	9-25 MCD
Yellow	580-610 nm	2.5V	2.1-2.2V	9-30 MCD

- LED intensity/wavelength measured with Photo Research PR-650 Colormeter
- With a forward current of 20 mA, Absolute Maximum Ratings (Ta=25°C)

DIMENSIONS TOLERANCE METRIC

X : ±0.5
X.X : ±0.38
X.XX : ±0.25

ANGLES
X : ±1°
X.X : ±0.5°

單位(UNITS)	mm
數量(QT'Y)	N/A
材料(MT'L)	SEE NOTE
處理(FINISH)	SEE NOTE

EASE electronics
Ease Electronics Co., Limited

圖名(NAME) 1*1 Port RJ-45 JACK With 10/100 Base-T Magnetics Module	
繪圖(DRAW)	料號(PART NUMBER) AAOE+XWRJ-1104C
設計(DE'N)	圖號(DRAW NUMBER)
審校(CH'K)	圖檔(FILE NAME .DWG)
核准(APP'D)	比例(SCALE) 1/1 圖紙(SIZE) A4 頁次(SHEET) 1/4 版次(REV.) A


REV.	NOTES	DATE
A	RELEASED	2018/12/21

1*1 Port RJ-45 Jack With 10/100 Base-T Magnetics Module

1. Electrical Specifications: @25°C

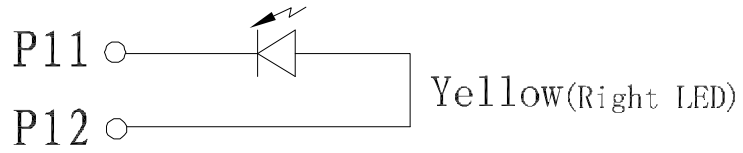
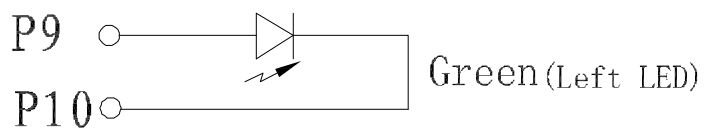
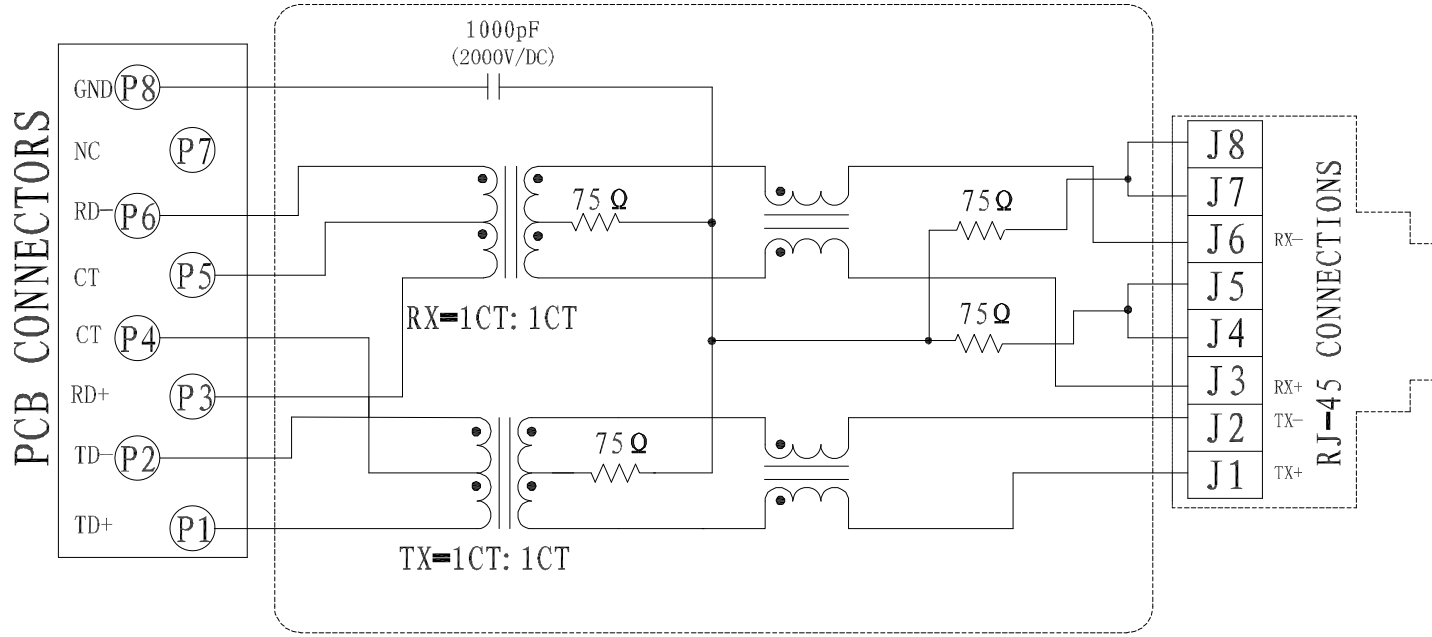
- 1.1. Isolation Voltage: 1500V/AC(Input to Output)
 - 1.2. OCL: 350uH Minimum @100KHz 100mV 8mA DC
 - 1.3. Insertion Loss: -1.2dB Maximum @100KHz-100MHz
 - 1.4. Return Loss:
 - 1.4dB Minimum @30MHz-60MHz
 - 1.2dB Minimum @60MHz-80MHz
 - 1.0dB Minimum @80MHz-100MHz
 - 1.5. Common Mode Rejection: -30dB Minimum @1MHz-100MHz
 - 1.6. Cross Talk: -30dB Minimum @1MHz-100MHz
- ## 2. Operating and Storage Temperature:
- 2.1. Operating Temperature: -40°C to +85°C
 - 2.2. Storage Temperature: -40°C to +85°C

DIMENSIONS TOLERANCE METRIC	
X	:±0.5
X.X	:±0.38
X.XX	:±0.25
ANGLES	
X	:±1°
X.X	:±0.5°

單位(UNITS)	mm	 Ease Electronics Co., Limited							
數量(QTY)	N/A								
材料(MTL)	SEE NOTE	圖名(NAME) 1*1 Port RJ-45 JACK With 10/100 Base-T Magnetics Module							
處理(FINISH)	SEE NOTE								
繪圖(DRAW)		料號(PART NUMBER)		AAOE+XWRJ-1104C					
設計(DE'N)		圖號(DRAW NUMBER)							
審校(CH'K)		圖檔(FILE NAME .DWG)							
核准(APP'D)		比例(SCALE)	1/1	圖紙(SIZE)	A4	頁次(SHEET)	2/4	版次(REV.)	A


3. Schematics:

REV.	NOTES	DATE
A	RELEASED	2018/12/21

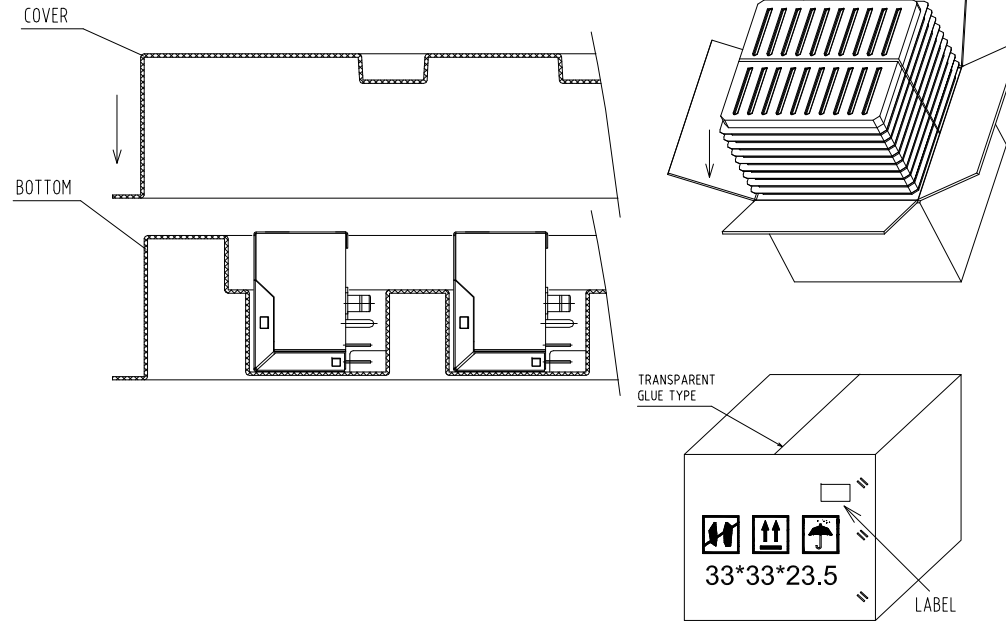


- 4.1. Connector Material:
Housing: Thermoplastic UL94 V-0
Contact/Shield: Cooper alloy
Shield Plating: Nickel
Contact Plating: Selective gold 6u"
- 4.2. Tolerances comply with F.C.C dimension requirements
- 4.3. Durability: 800 mating Min
- 4.4. Meets or Exceeds IEEE802.3af standards including
350uH Min OCL @100KHz 100mV 8mA DC

DIMENSIONS TOLERANCE METRIC	
X	:±0.5
X.X	:±0.38
X.XX	:±0.25
ANGLES	
X	:±1°
X.X	:±0.5°


單位(UNITS)	mm	 Ease Electronics Co., Limited	
數量(QTY)	N/A		
材料(MTL)	SEE NOTE		
處理(FINISH)	SEE NOTE		
繪圖(DRAW)		圖名(NAME) 1*1 Port RJ-45 JACK With 10/100 Base-T Magnetics Module	
設計(DE'N)		料號(PART NUMBER)	AAOE+XWRJ-1104C
審校(CH'K)		圖號(DRAW NUMBER)	
核准(APP'D)		圖檔(FILE NAME .DWG)	
比例(SCALE)	1/1	圖紙(SIZE)	A4
		頁次(SHEET)	3/4
		版次(REV.)	A

REV.	NOTES	DATE
A	RELEASED	2018/12/21



包装概要

产品净重 (g)	每盒 (PCS)	每箱 (PCS)	包装重量 (KG)	外箱尺寸		
				长 (CM)	宽 (CM)	高 (CM)
5	120PCS	1080PCS	8.5	33	33	23.5

單位(UNITS)	mm	 Ease Electronics Co., Limited
數量(QT'Y)	N/A	
材料(MT'L)	SEE NOTE	
處理(FINISH)	SEE NOTE	
繪圖(DRAW)		圖名(NAME) 1*1 Port RJ-45 JACK With 10/100 Base-T Magnetics Module
設計(DE'N)		料號(PART NUMBER) AAOE+XWRJ-1104C
審校(CH'K)		圖號(DRAW NUMBER)
核准(APP'D)		圖檔(FILE NAME .DWG)
DIMENSIONS TOLERANCE METRIC X : ±0.5 X.X : ±0.38 X.XX : ±0.25 ANGLES X : ±1° X.X : ±0.5°		比例(SCALE) 1/1 圖紙(SIZE) A4 頁次(SHEET) 4/4 版次(REV.) A