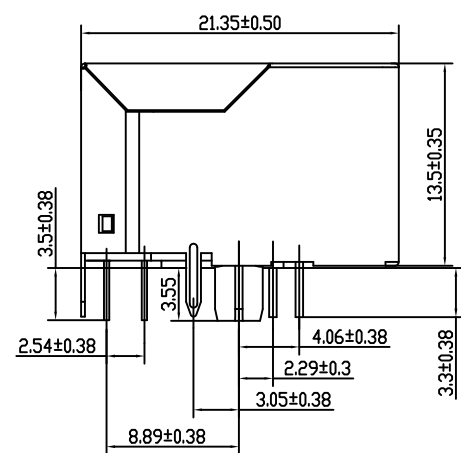
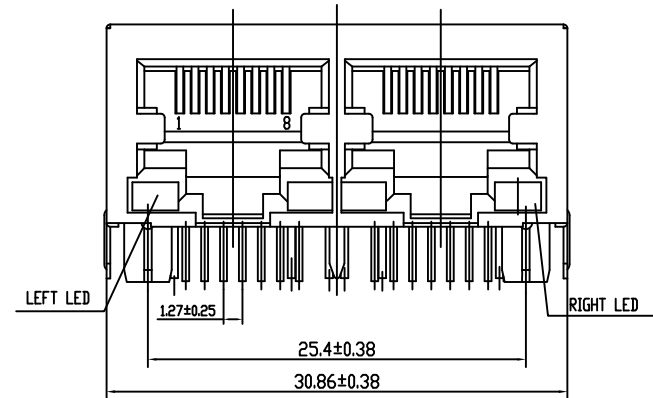
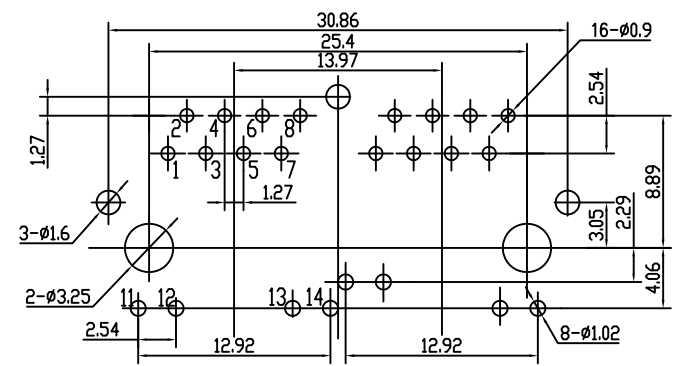
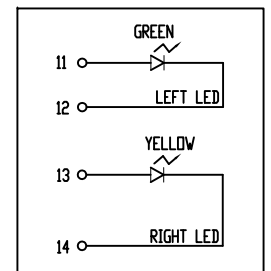
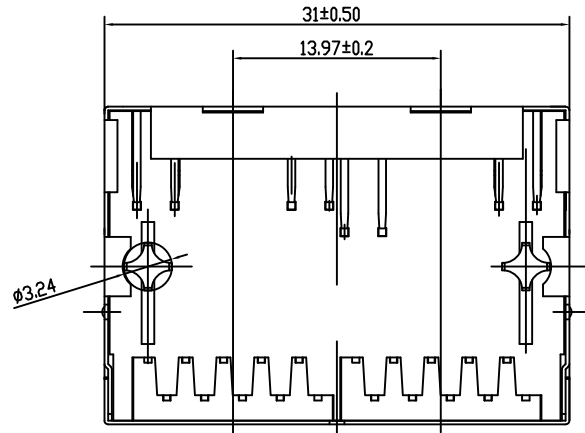


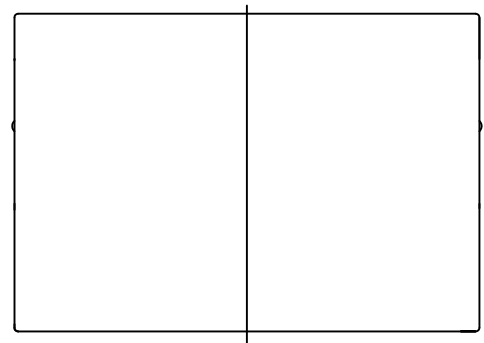
REV.	NOTES	DATE
A	RELEASED	2021/06/20



LED Specification

Standard LED Color	LED Wavelength	Forward (V MAX)	Typical (V TYP)	Luminous Intensity
Green	560-580 nm	2.5V	2.1-2.2V	9-25 MCD
Yellow	580-610 nm	2.5V	2.1-2.2V	9-30 MCD
Orange	580-610 nm	2.5V	2.1-2.2V	50-100 MCD

- LED intensity/wavelength measured with Photo Research PR-650 Colormeter
- With a forward current of 20 mA, Absolute Maximum Ratings (Ta=25°C)



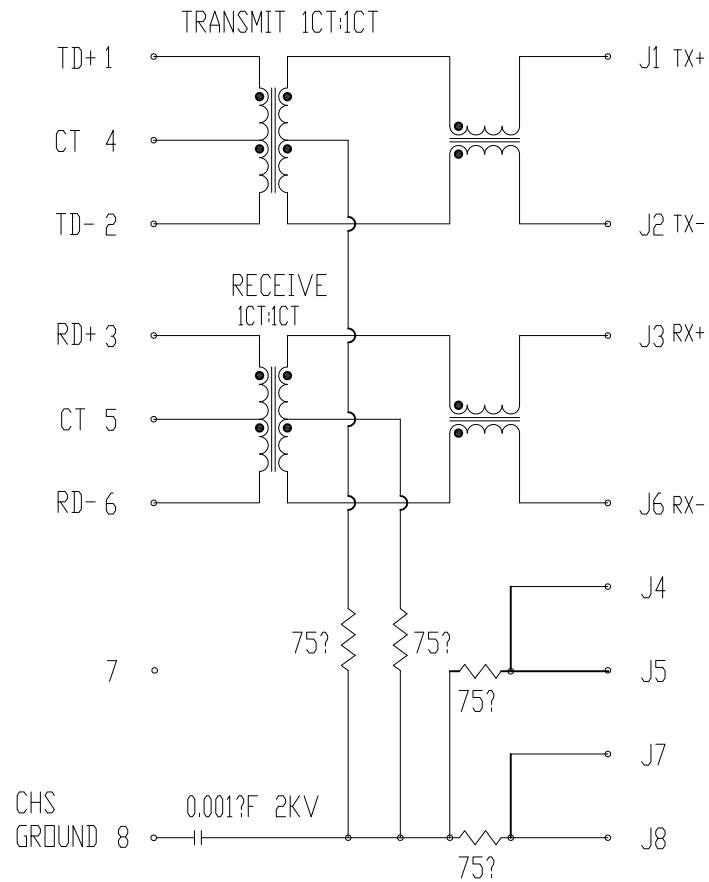
單位(UNITS)	mm
數量(QT'Y)	N/A
材料(MT'L)	SEE NOTE
處理(FINISH)	SEE NOTE



DIMENSIONS TOLERANCE METRIC	
X	:±0.5
X.X	:±0.38
X.XX	:±0.25
ANGLES	
X	:±1°
X.X	:±0.5°

繪圖(DRAW)	圖名(NAME)			
設計(DE'N)	RJ45雙排1*2 B50(87-21)百兆 DIP ROHS			
審校(CH'K)	料號(PART NUMBER)	AAOE+5052-8721		
核准(APP'D)	圖號(DRAW NUMBER)			
	圖檔(FILE NAME .DWG)			
	比例(SCALE)	1/1	圖紙(SIZE)	A4
	頁次(SHEET)	1/3	版次(REV.)	A

REV.	NOTES	DATE
A	RELEASED	2021/06/20



### DESCRIPTION

**ELECTRICAL:** RJ45 With internal Magnetics Connector  
 Designde to support such applications as Ethernet Equipment Complex, Switches, Routers, Firewalls, Servers and Hub  
 Internal magnetics are 100% electrically tested for functionality per IEEE802.3 requirement  
 RoHS peak wave solder temperature rating 235℃  
 High performance for maximum EMI suppression  
 350uH minnum OCL with 8mA bias current


**MECHANICAL:** JACK CAVITY CONFORMS TO FCC RULES AND REGULATIONS, PART 68 SUBPART F.

- INSERTION FORCE: 8 CONTACTS--900g, 10 CONTACTS--1050g
  - RETENTION STRENGTH: 7.7Kgs BETWEEN JACK AND PLUG
  - DURABILITY: 750 MATING CYCLES Mini
- MATERIAL:** HOUSING: 1) GLASS FILLED PA66 (UL 94V-0)  
 2) GLASS FILLED PA46/( 265℃ ) (UL 94V-0)  
 3) GLASS FILLED PBT/PA/ABS/PC (UL 94V-0)
- SPRING WIRE: 0.25-0.35mm THICKNESS PHOSPHOR BRONZE ALLOY SELECTIVE GOLD PLATING OVER NICKEL ( 50-80??)  
 OVER TIN ( 60-120??)  
 GOLD PLATING: 3??,  
 SHIELDING: 0.2-0.24mm THICKNESS COPPER ALLOY WITH NICKEL ( 50-100??) PLATED
- Storage: -40℃~85℃ Relative Humidity<70%  
 Operating: 0℃~70℃

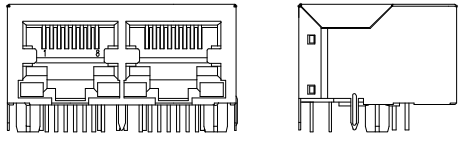
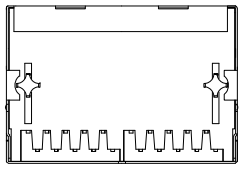
### ELECTRICAL SPECIFICATIONS AT 25 °C

Insertion Loss dB max	Return Loss dB min		Crosstalk(dB TYP)	Common Mode Rejection (dB TYP)	Hipot(vrms)
	1-30MHz	30- 80MHz			
1-125MHz	1-30MHz	30- 80MHz	1- 100MHz	1-100MHz	1500/0.5mA OR 2250DC/0.1mA
-1.2	-18	-18+20log(f/30MHz)	-30	-30	

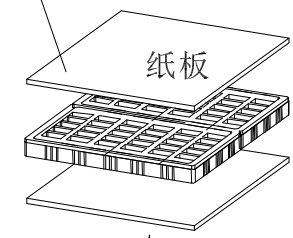
DIMENSIONS TOLERANCE METRIC	
X	:±0.5
X.X	:±0.38
X.XX	:±0.25
ANGLES	
X	:±1°
X.X	:±0.5°

單位(UNITS)	mm	 <b>Ease Electronics Co., Limited</b>								
數量(QT'Y)	N/A									
材料(MT'L)	SEE NOTE									
處理(FINISH)	SEE NOTE									
繪圖(DRAW)		圖名(NAME) RJ45雙排1*2 B50(87-21)百兆 DIP ROHS								
設計(DE'N)		料號(PART NUMBER) AAOE+5052-8721								
審校(CH'K)		圖檔(FILE NAME .DWG)								
核准(APP'D)		<table border="1"> <tr> <td>比例(SCALE)</td> <td>1/1</td> <td>圖紙(SIZE)</td> <td>A4</td> <td>頁次(SHEET)</td> <td>2/3</td> <td>版次(REV.)</td> <td>A</td> </tr> </table>	比例(SCALE)	1/1	圖紙(SIZE)	A4	頁次(SHEET)	2/3	版次(REV.)	A
比例(SCALE)	1/1	圖紙(SIZE)	A4	頁次(SHEET)	2/3	版次(REV.)	A			

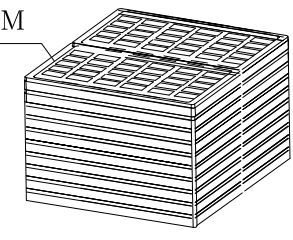
REV.	NOTES	DATE
A	RELEASED	2022/01/14



隔板上下各一片每隔一盘一片共9片

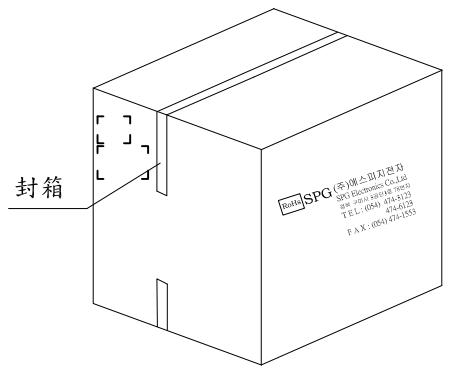


70pcs一盘共8盘  
包装盘尺寸：310\*310\*23MM

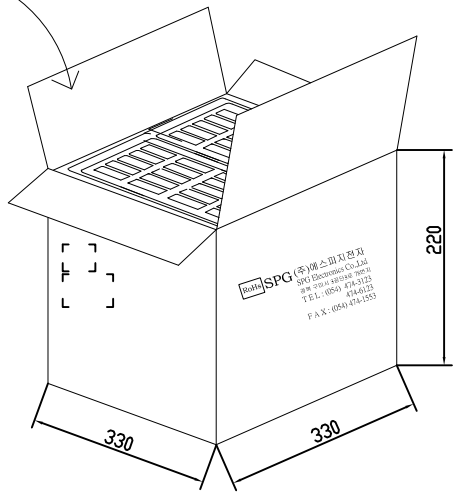


## 产品示意图

纸箱

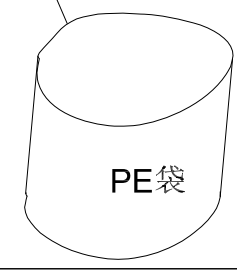


一箱共8盘560PCS



干燥剂

防水PE袋/干燥剂2包



單位(UNITS)	mm
數量(QT'Y)	N/A
材料(MT'L)	SEE NOTE
處理(FINISH)	SEE NOTE
繪圖(DRAW)	
設計(DE'N)	
審校(CH'K)	
核准(APP'D)	

**EASE** electronics **Ease Electronics Co., Limited**

圖名(NAME)							
RJ45雙排1*2 B50(87-21)百兆 DIP ROHS							
料號(PART NUMBER)			AAOE+5052-8721				
圖號(DRAW NUMBER)							
圖檔(FILE NAME .DWG)							
比例(SCALE)	1/1	圖紙(SIZE)	A4	頁次(SHEET)	3/3	版次(REV.)	A

DIMENSIONS TOLERANCE METRIC

X	:±0.5
X.X	:±0.38
X.XX	:±0.25
ANGLES	
X	:±1°
X.X	:±0.5°