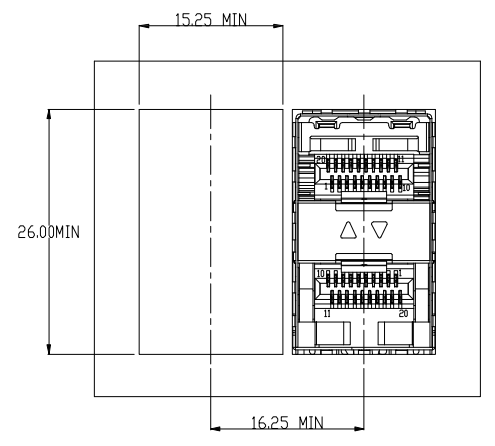
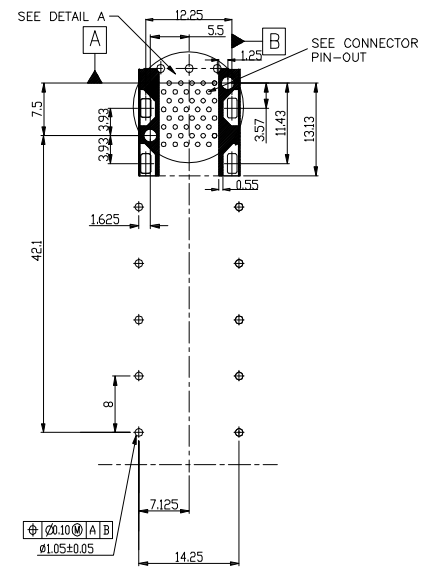
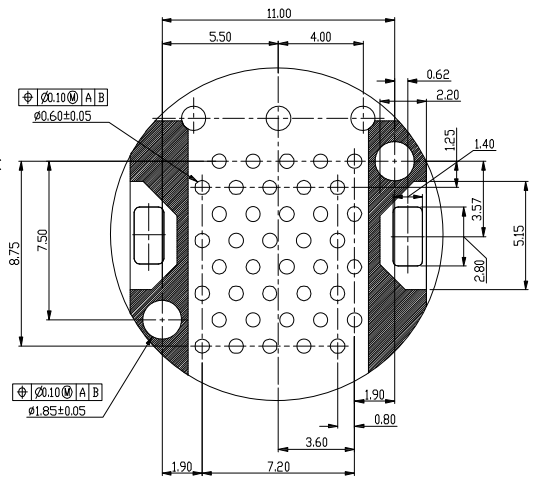
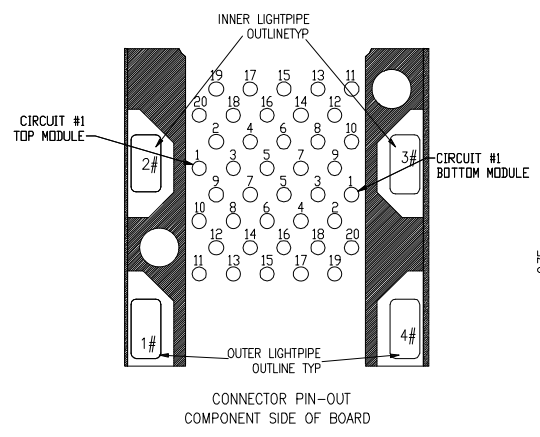
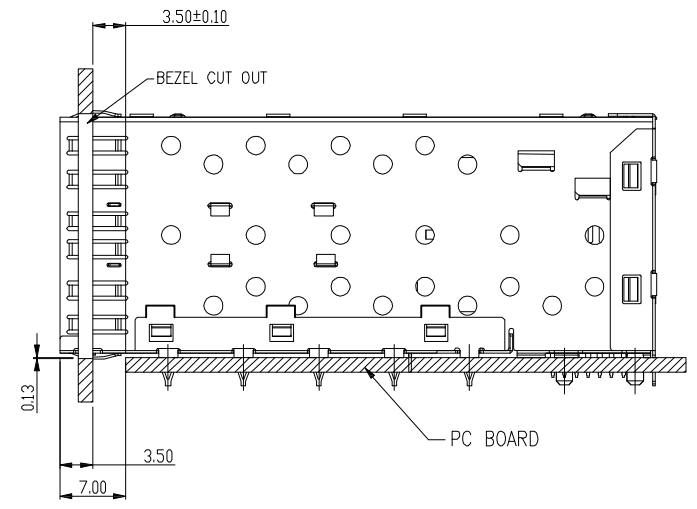
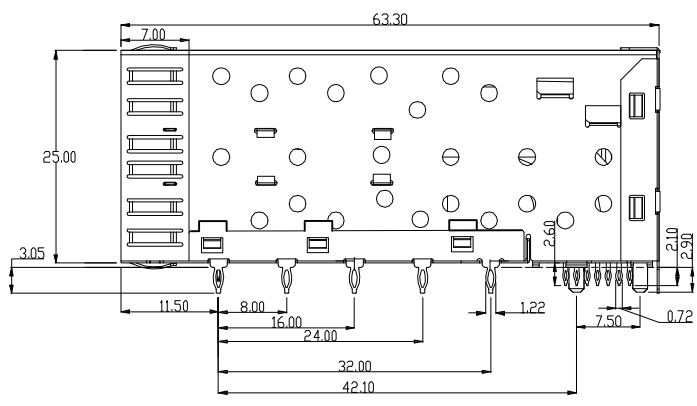
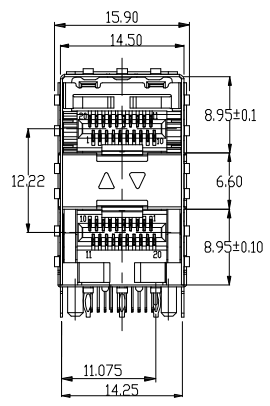


REV.	NOTES	DATE
A	RELEASED	2020/9/1

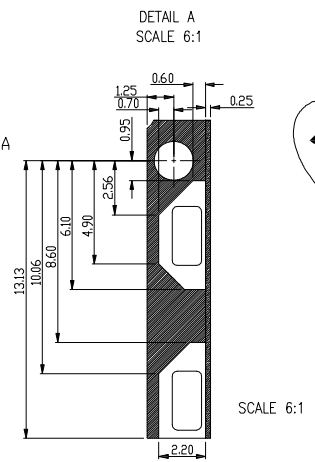


BEZEL CUT-OUT CENTER SPACING DETAIL  
BEZEL THICKNESS: 0.8-2.6

NOTE:  
MECHANICAL:  
1. CONNECTOR MATERIAL

- 1) HOUSING: HIGH TEMPERATURE THERMOPLASTIC GLASS FIBER. UL94V-0. STANDARD COLOR: BLACK.  
 2) CONTACT: PHOSPHOR BRONZE THICKNESS=0.20mm.  
 2) PLATING: 15u" MIN GOLD PLATING OVER 50-80u" NICKEL IN CONTACT AREA  
 3) CAGE MATERIAL: COPPER ALLOY  
 4) LIGHT PIPE MATERIAL: POLYCARBONATE UL94V-0  
 5) DURABILITY: 100 CYCLES MIN.  
 6) INSERTION AND EXTRACTION FORCE: 40N MAX AND 11.5MAX
- ELECTRICAL:  
 1. VOLTAGE RATING: 125 VAC RMS  
 2. CURRENT RATING: 0.5 AMP.  
 3. CONTACT RESISTANCE: 40 MILLIOHMS MAX.  
 4. INSULATION RESISTANCE: 1000 MEGOHMS MIN @ 500 VDC.  
 5. DIELECTRIC STRENGTH: 750 VAC RMS 60HZ, 1MIN.

ENVIRONMENTAL:  
 OPERATION: -40°C~ +85°C  
 STORAGE: -40°C~ +85°C  
 ROHS COMPLIANT  
 PART NUMBER: SEE DETAIL



ROHS

DIMENSIONS TOLERANCE METRIC

X	±0.5
X.X	±0.38
X.XX	±0.25
X.XXX	±0.10

ANGLES

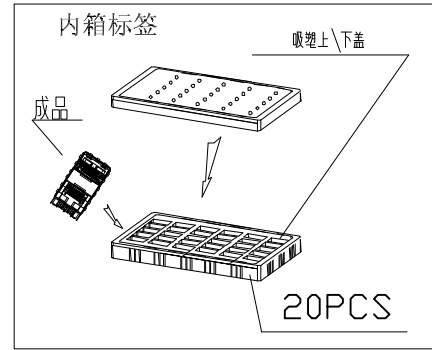
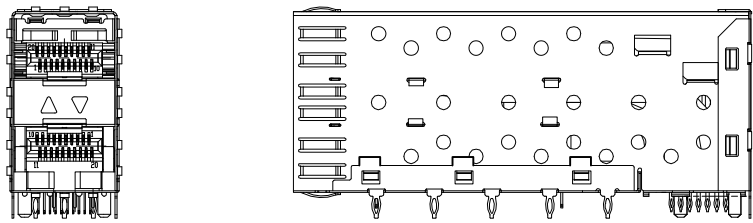
X	±1°
X.X	±0.5°

單位(UNITS)	mm
數量(QT'Y)	N/A
材料(MT'L)	SEE NOTE
處理(FINISH)	SEE NOTE
繪圖(DRAW)	
設計(DE'N)	
審校(CH'K)	
核准(APP'D)	

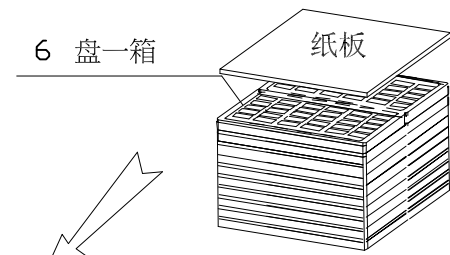
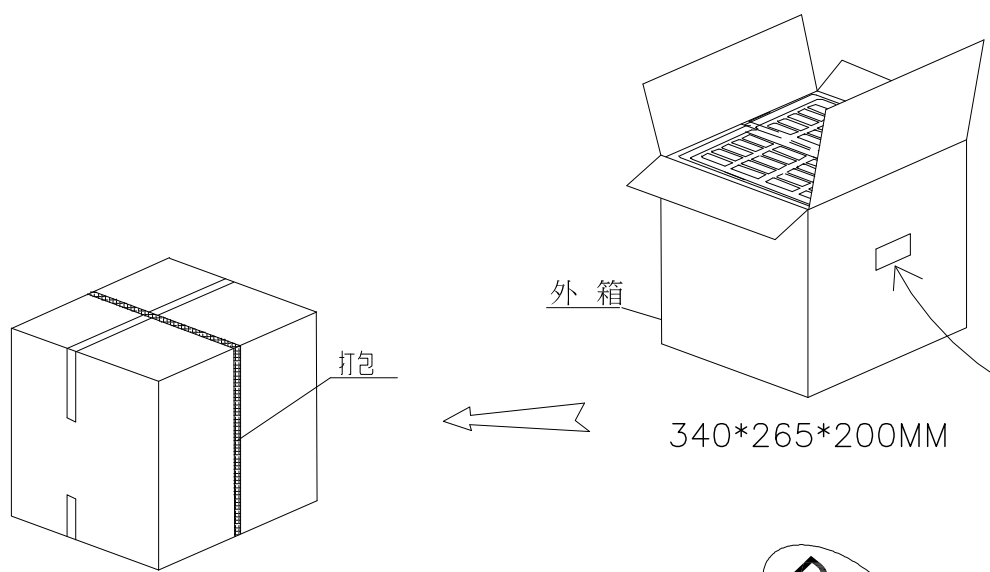
<b>EASE</b> electronics		Ease Electronics Co., Limited	
圖名(NAME)			
SFP 2X1 CAGE PRESS FIT LEHT PIPE OPTOEONAL			
料號(PART NUMBER)		AAOE+4008-2108	
圖號(DRAW NUMBER)			
圖檔(FILE NAME .DWG)			
比例(SCALE)	1/1	圖紙(SIZE)	A4
頁次(SHEET)	1/2	版次(REV.)	A

REV.	NOTES	DATE
A	RELEASED	2020/9/1

ROHS



# 产品示意图



包裝備註:1盤20PCS,一箱總共6盤120PCS;

ROHS

單位(UNITS)	mm
數量(QT'Y)	N/A
材料(MT'L)	SEE NOTE
處理(FINISH)	SEE NOTE

**EASE** electronics  
Ease Electronics Co., Limited

繪圖(DRAW)		圖名(NAME) SFP 2X1 CAGE PRESS FIT LEIGHT PIPE OPTEOAL			
設計(DE'N)		料號(PART NUMBER)	AAOE+4008-2108		
審校(CH'K)		圖號(DRAW NUMBER)			
核准(APP'D)		圖檔(FILE NAME .DWG)			
		比例(SCALE)	1/1	圖紙(SIZE)	A4
		頁次(SHEET)	2/2	版次(REV.)	A

DIMENSIONS TOLERANCE METRIC	
X	:±0.5
X.X	:±0.38
X.XX	:±0.25
ANGLES	
X	:±1°
X.X	:±0.5°