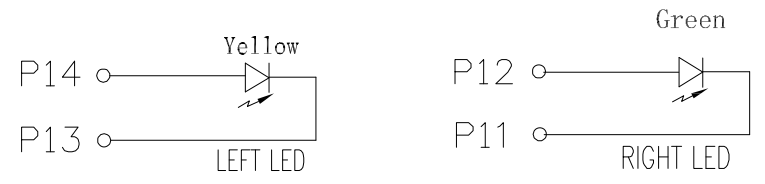
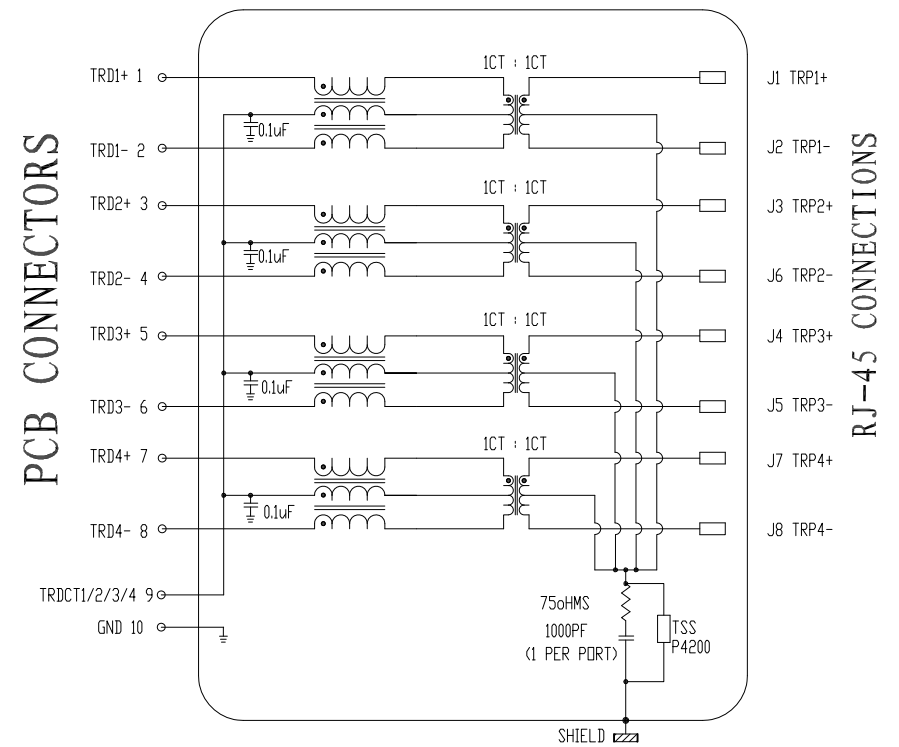


REV.	NOTES	DATE
A	RELEASED	2019/11/28
B	修改产品线路图	2020/04/29

ROHS

1. Electrical Specifications: @25°C
- 1.1. Isolation Voltage: 1500V/AC (Input to Output)
 - 1.2. OCL: 350uH Minimum @100KHz 100mV 8mA DC
 - 1.3. Insertion Loss: -1.2dB Maximum @100KHz-100MHz
 - 1.4. Return Loss: -18dB Minimum @1MHz-30MHz
 -14dB Minimum @30MHz-60MHz
 -12dB Minimum @60MHz-80MHz
 -10dB Minimum @80MHz-100MHz
 - 1.5. Common Mode Rejection: -30dB Minimum @1MHz-100MHz
 - 1.6. Cross Talk: -30dB Minimum @1MHz-100MHz
2. Operating and Storage Temperature:
- 2.1. Operating Temperature: -40°C to +85°C
 - 2.2. Storage Temperature: -40°C to +85°C
3. Schematics:



單位(UNITS)	mm
數量(QTY)	N/A
材料(MTL)	SEE NOTE
處理(FINISH)	SEE NOTE

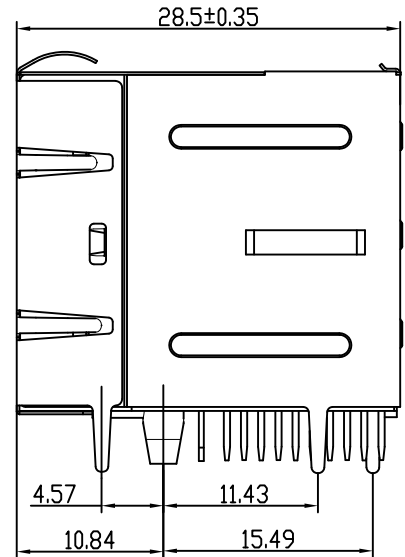
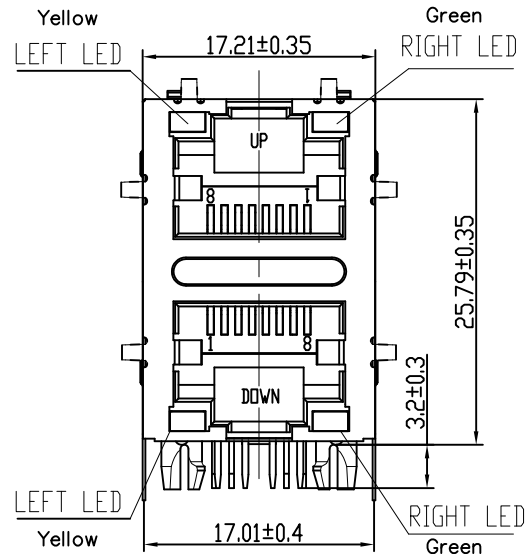
EASE electronics
Ease Electronics Co., Limited

DIMENSIONS TOLERANCE METRIC	
X	:±0.5
X.X	:±0.38
X.XX	:±0.25
ANGLES	
X	:±1°
X.X	:±0.5°

繪圖(DRAW)		圖名(NAME) 2*1 Port RJ-45 Jack With 100/1000 Base-T Magnetics Module			
設計(DE'N)		料號(PART NUMBER)		AAOE+2116-D3002	
審校(CH'K)		圖號(DRAW NUMBER)			
核准(APP'D)		圖檔(FILE NAME .DWG)			
比例(SCALE)	1/1	圖紙(SIZE)	A4	頁次(SHEET)	1/3
				版次(REV.)	B

4. Mechanicals:

REV.	NOTES	DATE
A	RELEASED	2019/11/28
B	修改产品线路图	2020/04/29

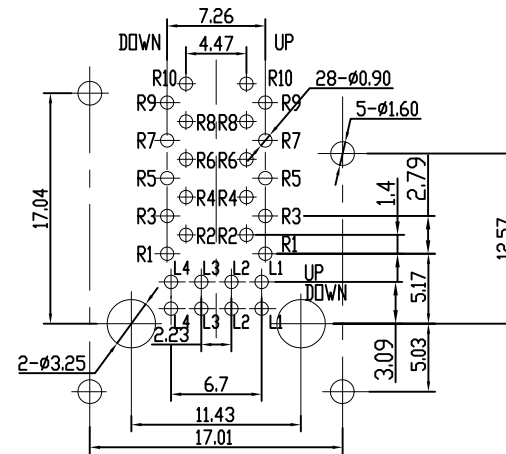
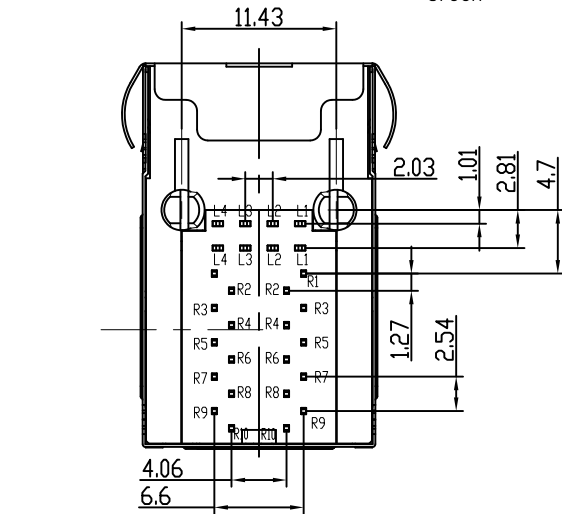


ROHS

LED Specification

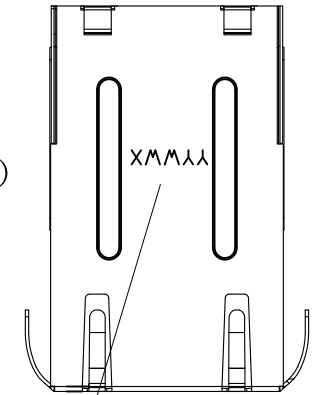
Standard LED Color	LED Wavelength	Forward (V MAX)	Typical (V TYP)	Luminous Intensity
Green	560-580 nm	2.5V	2.1-2.2V	9-25 MCD
Yellow	580-610 nm	2.5V	2.1-2.2V	9-30 MCD

- LED intensity/wavelength measured with Photo Research PR-650 Colorimeter
- With a forward current of 20 mA, Absolute Maximum Ratings (Ta=25°C)



YY WW X
年 周 识别码

- A: 直通品(一次性通过品)
- B: 二次直通品
- C: 维修后良品



DC + 识别码

4.1. Connector Material:

- Housing: Thermoplastic UL94 V-0
- Contact/Shield: Cooper alloy
- Shield Plating: Nickel
- Contact Plating: Selective gold 6u" Min

4.2. Tolerances comply with F.C.C dimension requirements

4.3. Durability: 800 mating Min

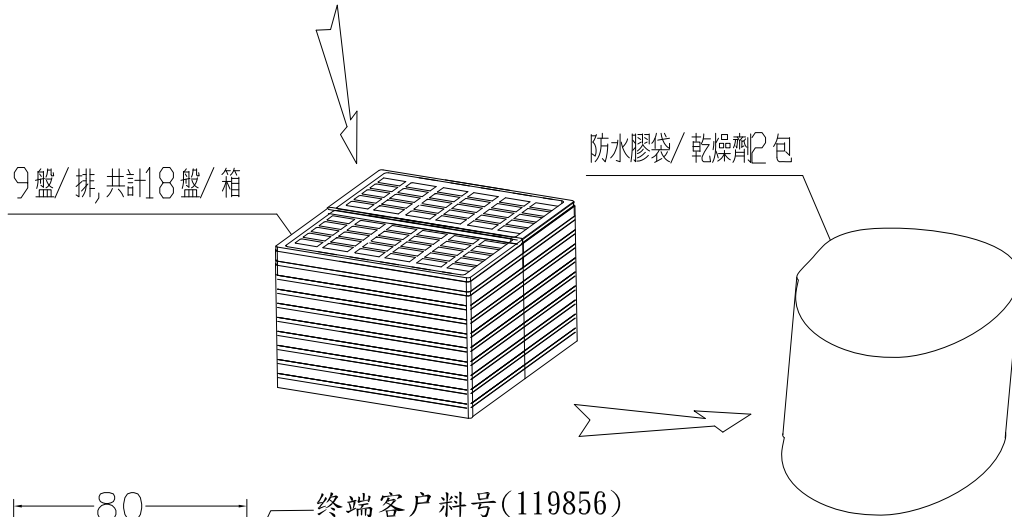
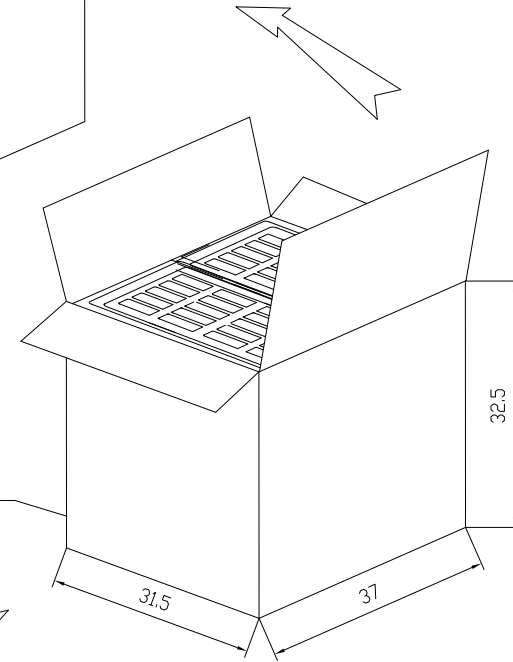
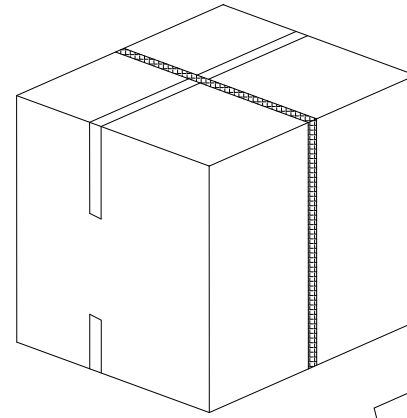
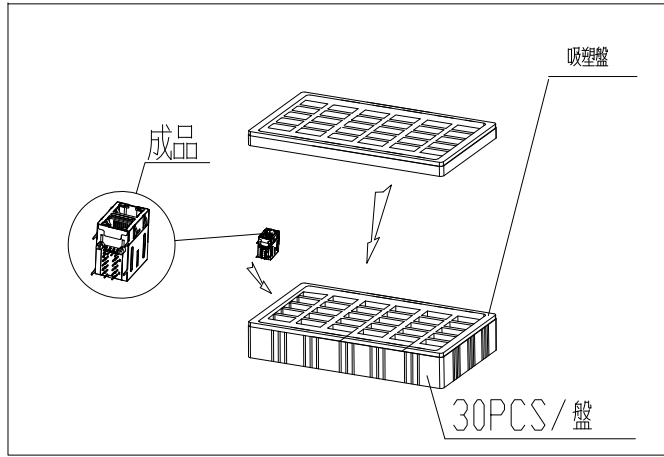
4.4. Meets or Exceeds IEEE802.3af standards including 350uH Min OCL @100KHz 100mV 8mA DC

P.C.B RECOMMENDED HOLE LAYOUT SEEN FROM COMPONENT SIDE.
ALL CENTERLINE DIMENSIONS ARE BASIC

DIMENSIONS TOLERANCE METRIC	
X	:±0.5
X.X	:±0.38
X.XX	:±0.25
ANGLES	
X	:±1°
X.X	:±0.5°

單位(UNITS)	mm	Ease Electronics Co., Limited
數量(QT'Y)	N/A	
材料(MT'L)	SEE NOTE	
處理(FINISH)	SEE NOTE	
繪圖(DRAW)		圖名(NAME) 2*1 Port RJ-45 Jack With 100/1000 Base-T Magnetics Module
設計(DE'N)		料號(PART NUMBER) AAOE+2116-D3002
審核(CH'K)		圖檔(FILE NAME .DWG)
核准(APP'D)		比例(SCALE) 1/1 圖紙(SIZE) A4 頁次(SHEET) 2/3 版次(REV.) B

REV.	NOTES	DATE
A	RELEASED	2019/11/28
B	修改产品线路图	2020/04/29



一箱包裝540PCS;

Customer P/N:	119856	终端客户料号(119856)
P/N:	AAOE+2116-D3002	厂内料号(AAOE+2116-D3002)
QUANTITY:	30 PCS	出货数量(一盘与一箱)
DATE:	05/11/2021	出货日期

标签内容与内盘一样,数量有变更;

DIMENSIONS TOLERANCE METRIC	
X	:±0.5
X.X	:±0.38
X.XX	:±0.25
ANGLES	
X	:±1°
X.X	:±0.5°

單位(UNITS)	mm
數量(QT'Y)	N/A
材料(MT'L)	SEE NOTE
處理(FINISH)	SEE NOTE
繪圖(DRAW)	
設計(DE'N)	
審校(CH'K)	
核准(APP'D)	

EASE electronics		Ease Electronics Co., Limited	
圖名(NAME) 2*1 Port RJ-45 Jack With 100/1000 Base-T Magnetics Module 包裝圖			
料號(PART NUMBER)		AAOE+2116-D3002	
圖號(DRAW NUMBER)			
圖檔(FILE NAME .DWG)			
比例(SCALE)	1/1	圖紙(SIZE)	A4
頁次(SHEET)	3/3	版次(REV.)	B