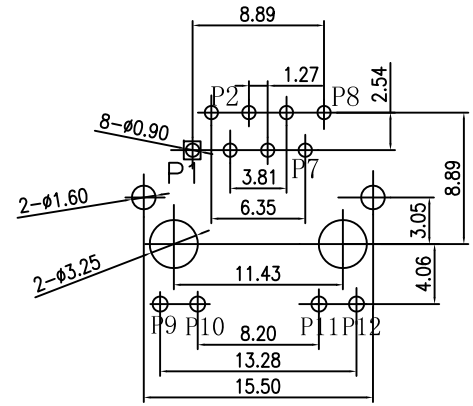
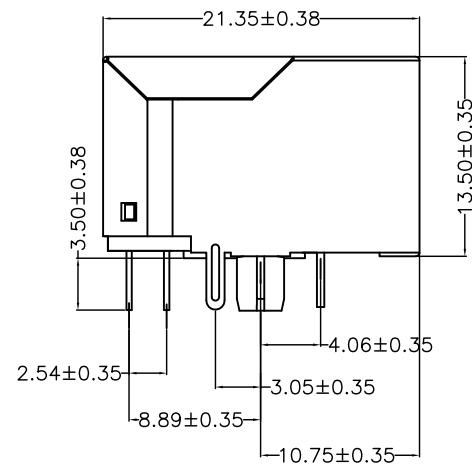
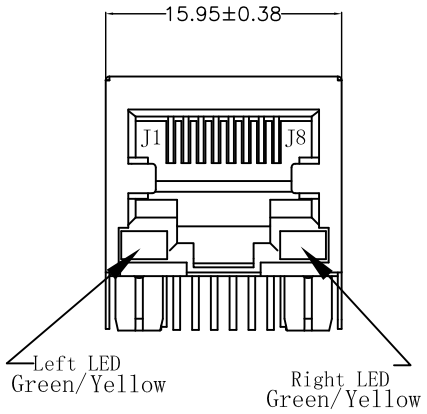
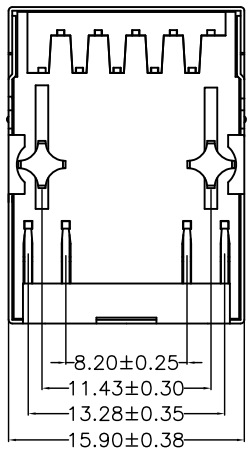


|      |          |            |
|------|----------|------------|
| REV. | NOTES    | DATE       |
| A    | RELEASED | 2022/08/01 |



P.C.B. RECOMMENDED HOLE LAYOUT SEEN FROM COMPONENT SIDE.  
ALL CENTERLINE DIMENSIONS ARE BASIC



### LED Specification

| Standard LED Color | LED Wavelength | Forward (V MAX) | Typical (V TYP) | Luminous Intensity |
|--------------------|----------------|-----------------|-----------------|--------------------|
| Green              | 560-580 nm     | 2.5V            | 2.1-2.2V        | 9-25 MCD           |
| Yellow             | 580-610 nm     | 2.5V            | 2.1-2.2V        | 9-30 MCD           |
| Orange             | 580-610 nm     | 2.5V            | 2.1-2.2V        | 50-100 MCD         |

- LED intensity/wavelength measured with Photo Research PR-650 Colormeter
- With a forward current of 20 mA, Absolute Maximum Ratings (Ta=25°C)

|            |          |
|------------|----------|
| 單位(UNITS)  | mm       |
| 數量(QT'Y)   | N/A      |
| 材料(MT'L)   | SEE NOTE |
| 處理(FINISH) | SEE NOTE |

**EASE** electronics  
Ease Electronics Co., Limited

DIMENSIONS TOLERANCE METRIC

X : ±0.5  
X.X : ±0.38  
X.XX : ±0.25

ANGLES

X : ±1°  
X.X : ±0.5°

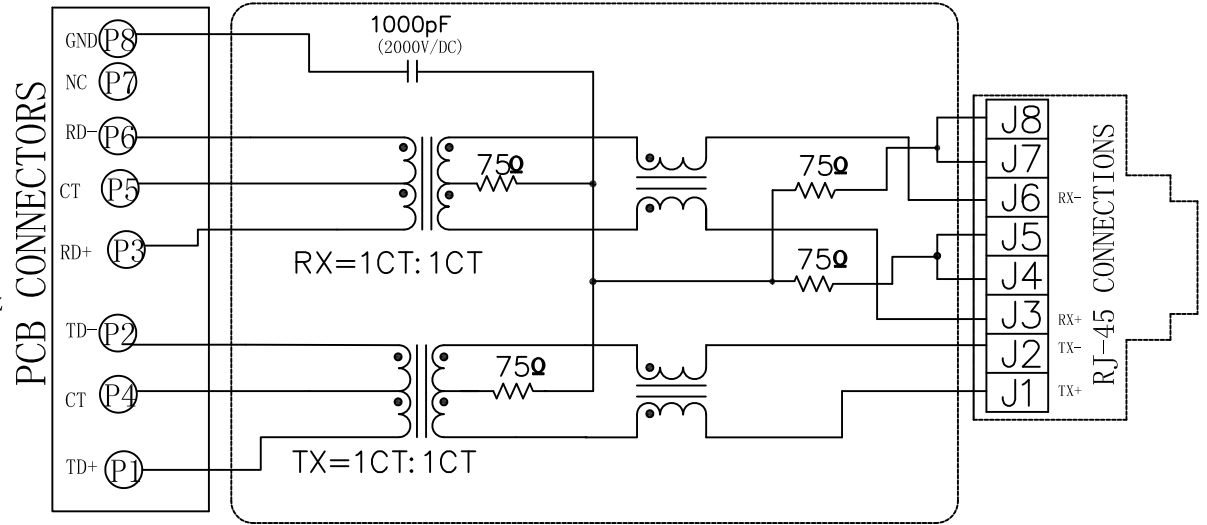
|           |                    |          |    |                 |     |          |   |
|-----------|--------------------|----------|----|-----------------|-----|----------|---|
| 繪圖(DRAW)  | 圖名(NAME)           |          |    |                 |     |          |   |
| 設計(DE'N)  | 料號(PART NUMBER)    |          |    | AAOE+1104F-1010 |     |          |   |
| 審校(CH'K)  | 圖號(DRAW NUMBER)    |          |    |                 |     |          |   |
| 核准(APP'D) | 圖檔(FILE NAME .DWG) |          |    |                 |     |          |   |
| 比例(SCALE) | 1/1                | 圖紙(SIZE) | A4 | 頁次(SHEET)       | 1/2 | 版次(REV.) | A |

1\*1Port RJ-45 Jack With 10/100长脚无弹片 90度 ROHS

|      |          |            |
|------|----------|------------|
| REV. | NOTES    | DATE       |
| A    | RELEASED | 2022/08/01 |

### 1. Electrical Specifications: @25°C

- 1.1. Isolation Voltage: 1500V/AC (Input to Output)
- 1.2. OCL: 350uH Minimum @100KHz 100mV 8mA DC
- 1.3. Insertion Loss: -1.2dB Maximum @100KHz-100MHz
- 1.4. Return Loss: -18dB Minimum @1MHz-30MHz  
-14dB Minimum @30MHz-60MHz  
-12dB Minimum @60MHz-80MHz  
-10dB Minimum @60MHz-80MHz
- 1.5. Common Mode Rejection: -30dB Minimum @1MHz-100MHz
- 1.6. Cross Talk: -30dB Minimum @1MHz-100MHz



### 2. Operating and Storage Temperature:

- 2.1. Operating Temperature: -40°C to +85°C
- 2.1. Storage Temperature: -40°C to +85°C

### 3. Schematics:

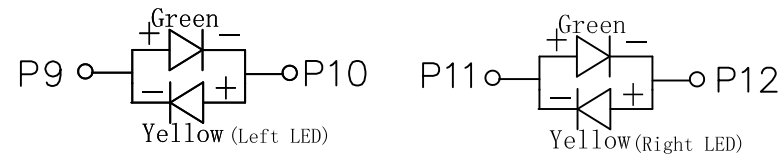
#### 4.1. Connector Material:

Housing: Thermoplastic UL94 V-0 PBT BLACK  
Contact/Shield: Cooper alloy  
Shield Plating: Nickel  
Contact Plating: Selective gold 6u"Min

#### 4.2. Tolerances comply with F.C.C dimension requirements

#### 4.3. Durability: 800 mating Min

#### 4.4. Meets or Exceeds IEEE802.3af standards including 350uH Min OCL @100KHz 100mV 8mA DC



| DIMENSIONS TOLERANCE METRIC |        |
|-----------------------------|--------|
| X                           | :±0.5  |
| X.X                         | :±0.38 |
| X.XX                        | :±0.25 |
| ANGLES                      |        |
| X                           | :±1°   |
| X.X                         | :±0.5° |

|            |          |                            |                                      |                 |     |          |   |
|------------|----------|----------------------------|--------------------------------------|-----------------|-----|----------|---|
| 單位(UNITS)  | mm       | <b>EASE</b><br>electronics | <b>Ease Electronics Co., Limited</b> |                 |     |          |   |
| 數量(QTY)    | N/A      |                            |                                      |                 |     |          |   |
| 材料(MTL)    | SEE NOTE |                            |                                      |                 |     |          |   |
| 處理(FINISH) | SEE NOTE |                            |                                      |                 |     |          |   |
| 繪圖(DRAW)   |          | 圖名(NAME)                   |                                      |                 |     |          |   |
| 設計(DE'N)   |          | 料號(PART NUMBER)            |                                      | AAOE+1104F-1010 |     |          |   |
| 審校(CH'K)   |          | 圖號(DRAW NUMBER)            |                                      |                 |     |          |   |
| 核准(APP'D)  |          | 圖檔(FILE NAME .DWG)         |                                      |                 |     |          |   |
| 比例(SCALE)  | 1/1      | 圖紙(SIZE)                   | A4                                   | 頁次(SHEET)       | 2/2 | 版次(REV.) | A |

**EASE** electronics  
**Ease Electronics Co., Limited**

圖名(NAME)  
1\*1Port RJ-45 Jack With 10/100长脚无弹片 90度 ROHS

料號(PART NUMBER) AAOE+1104F-1010

圖號(DRAW NUMBER)

圖檔(FILE NAME .DWG)

比例(SCALE) 1/1 圖紙(SIZE) A4 頁次(SHEET) 2/2 版次(REV.) A