

ROHS

REV.	NOTES	DATE
A	RELEASED	2020/12/20

NOTES:

ELECTRICAL:

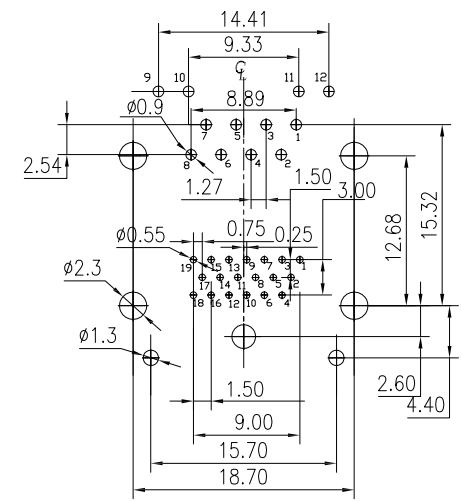
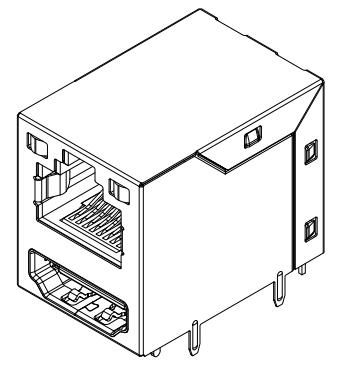
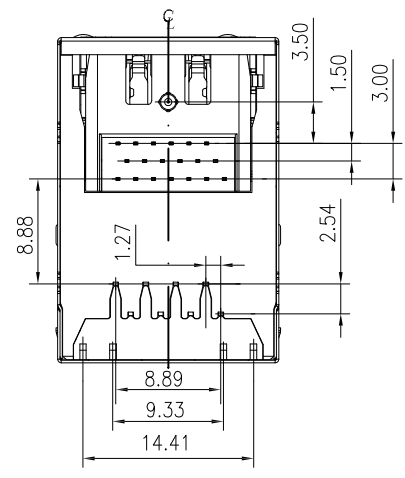
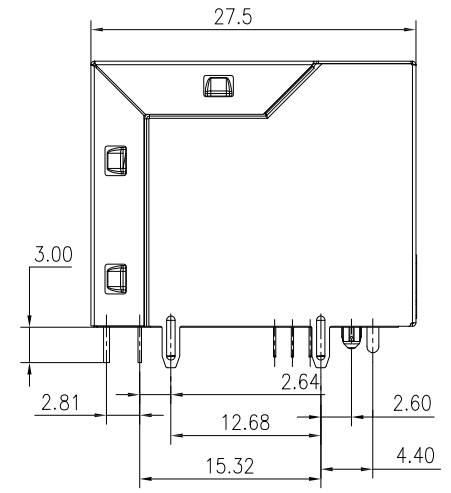
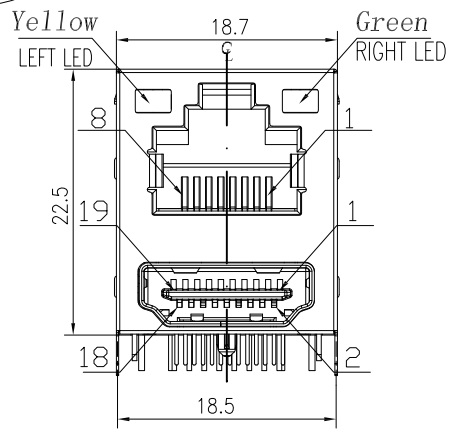
- 1. VOLTAGE RATING : 125 VAC RMS.
- 2. CURRENT RATING : 1.5 AMP.
- 3. CONTACT RESISTANCE : 30 MILLIOHMSMAX
- 4. INSULATION RESISTANCE : 500 MEGOHMS MIN @ 500 NDC.
- 5. DIELECTRIC STRENGTH : 1000 VAC RMS 50Hz or 60Hz, 1MIN.

MECHANICAL:

- 1. HOUSING & INSERT MATERIAL : PBT UL94V-0.
- 2. CONTACT MATERIAL : DIAMETER0.45MM PHOSPHOR BRONZE GOLD PLATING OVER NICKEL.
- 3. SHIELD : 0.20~0.25MM THICKNESS BRASS WITH NI PLATED.
- 4. MATING/UNMATING FORCE : 2.2KG.F MAX.
- 5. RETENTION STRENGTH : 7.7KG.F MIN BETWEEN JACK AND PLUG.
- 6. OPERATING LIFE : 700 CYCLES MIN.

ENVIRONMENTAL:

- 1. STORAGE : -45°C ~+80°C REATIVE HUMIDITY<70%
- 2. OPERATION : -45°C ~+80°C

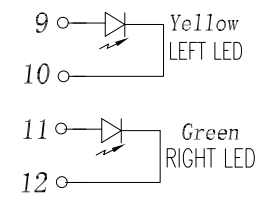


RECOMMENDED P.C.B LAYOUT
TOP VIEW (COMPONENT SIDE)

LED Specification

Standard LED Color	LED Wavelength	Forward (V MAX)	Typical (V TYP)	Luminous Intensity
Green	560-580 nm	2.5V	2.1-2.2V	9-25 MCD
Yellow	580-610 nm	2.5V	2.1-2.2V	9-30 MCD

- 1. LED intensity/wavelength measured with Photo Research PR-650 Colormeter
- 2. With a forward current of 20 mA, Absolute Maximum Ratings (Ta=25°C)

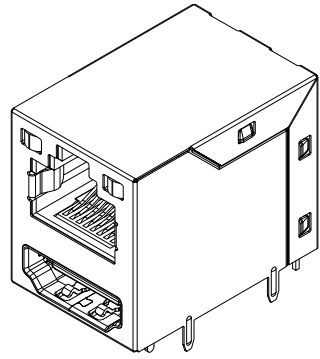


DIMENSIONS TOLERANCE METRIC

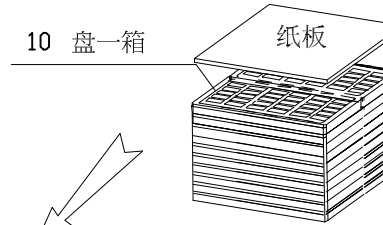
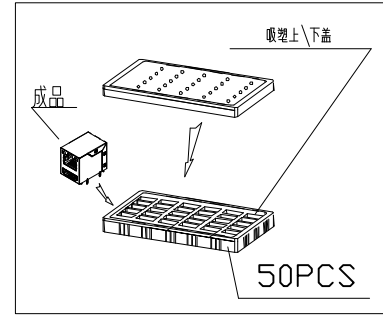
X	:±0.5
X.X	:±0.38
X.XX	:±0.25
ANGLES	
X	:±1°
X.X	:±0.5°

單位(UNITS)	mm	EASE electronics Ease Electronics Co., Limited
數量(QT'Y)	N/A	
材料(MT'L)	SEE NOTE	
處理(FINISH)	SEE NOTE	
繪圖(DRAW)		圖名(NAME) RJ45+HDMI 2层 H22.50 G/F ROHS
設計(DE'N)		料號(PART NUMBER) AAOE+1100F-7038
審核(CH'K)		圖號(DRAW NUMBER)
核准(APP'D)		圖檔(FILE NAME .DWG)
	比例(SCALE) 1/1	圖紙(SIZE) A4
		頁次(SHEET) 1/2
		版次(REV.) A

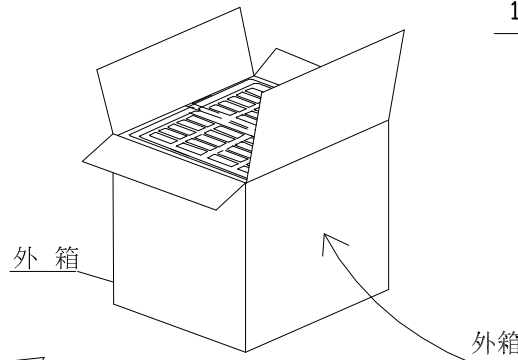
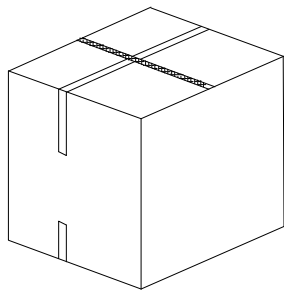
REV.	NOTES	DATE
A	RELEASED	2020/12/20



产品示意图



1盘50PCS, 5盘用拉丝膜打包井字包装;



445*310*175MM

包装备注: 1盘50PCS, 一箱总共10盘500PCS;



DIMENSIONS TOLERANCE METRIC	
X	:±0.5
X.X	:±0.38
X.XX	:±0.25
ANGLES	
X	:±1°
X.X	:±0.5°

單位(UNITS)	mm
數量(QT'Y)	N/A
材料(MT'L)	SEE NOTE
處理(FINISH)	SEE NOTE

EASE electronics
Ease Electronics Co., Limited

繪圖(DRAW)		圖名(NAME) RJ45+HDMI 双层 H22.50 G/F ROHS					
設計(DE'N)		料號(PART NUMBER)		AAOE+1100F-7038			
審校(CH'K)		圖號(DRAW NUMBER)					
核准(APP'D)		圖檔(FILE NAME .DWG)					
比例(SCALE)	1/1	圖紙(SIZE)	A4	頁次(SHEET)	2/2	版次(REV.)	A