

6

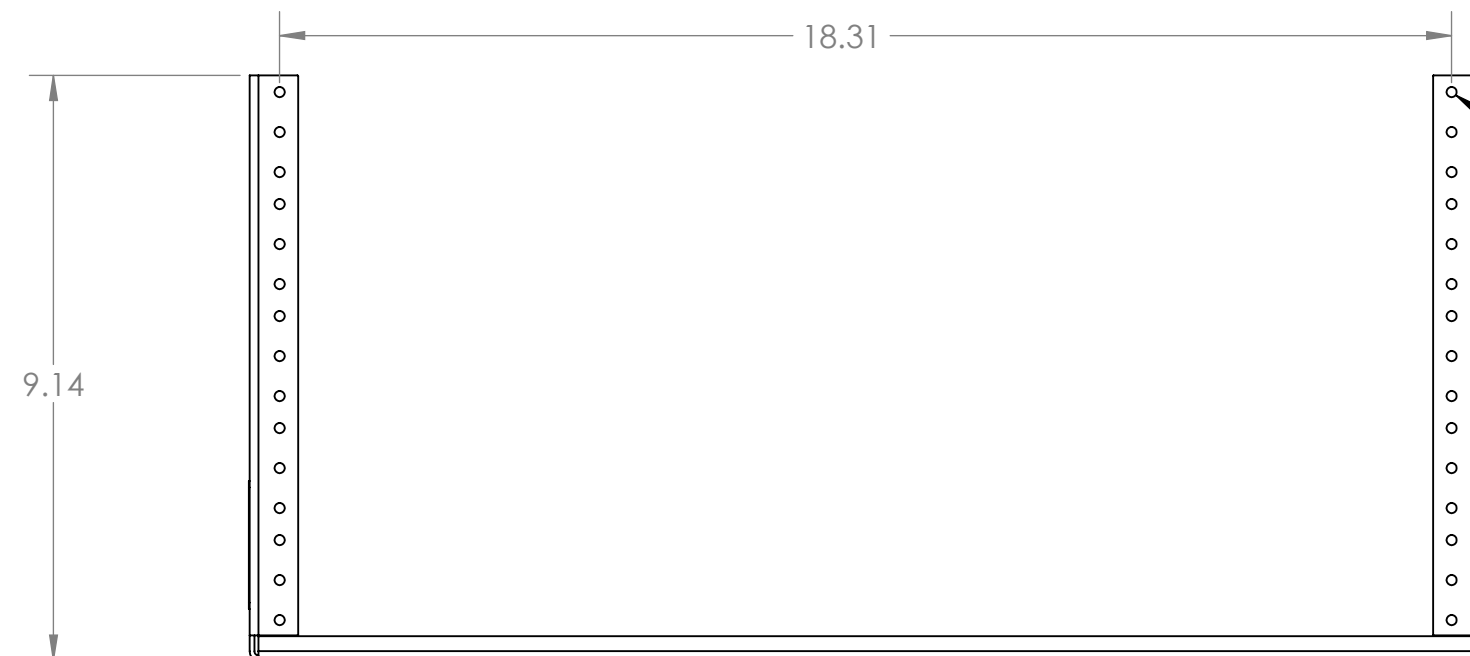
5

4

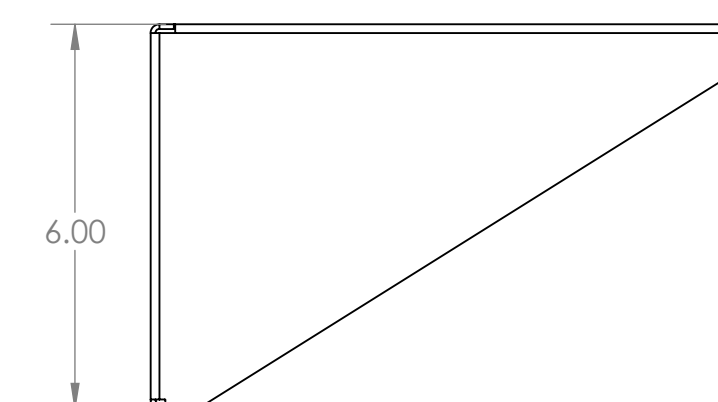
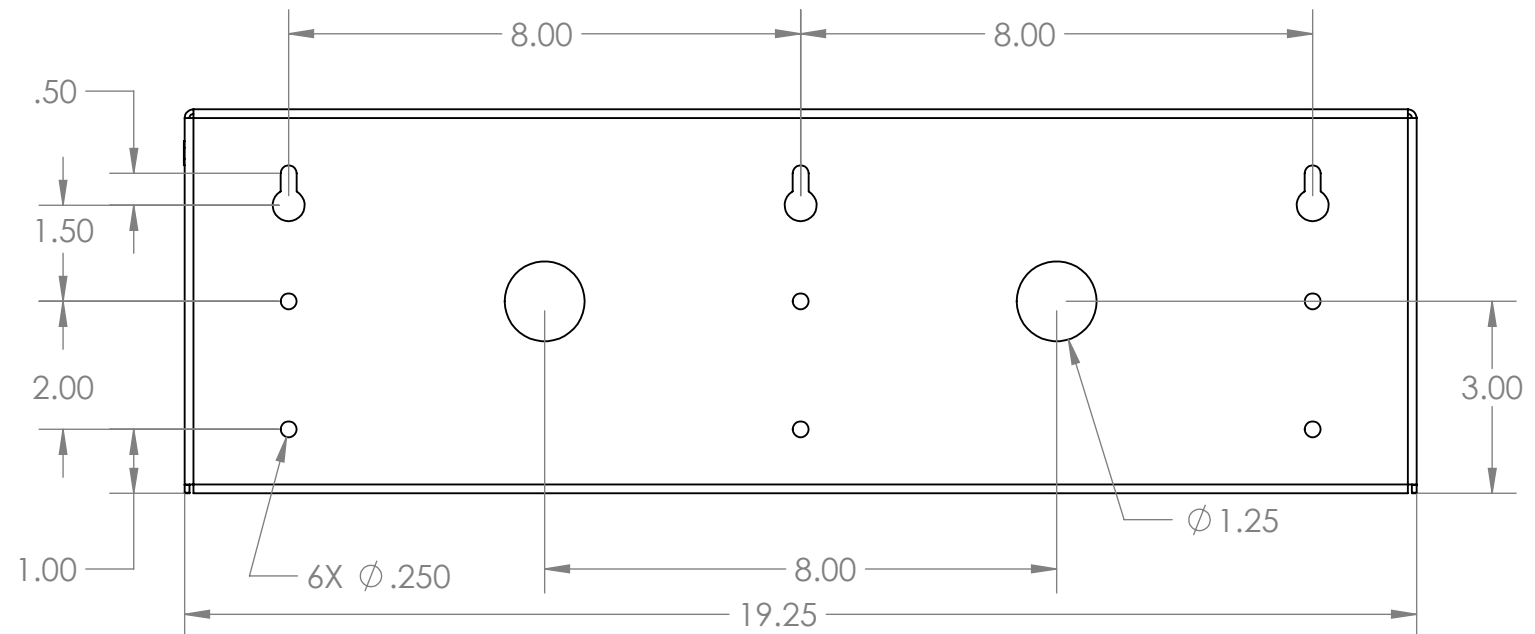
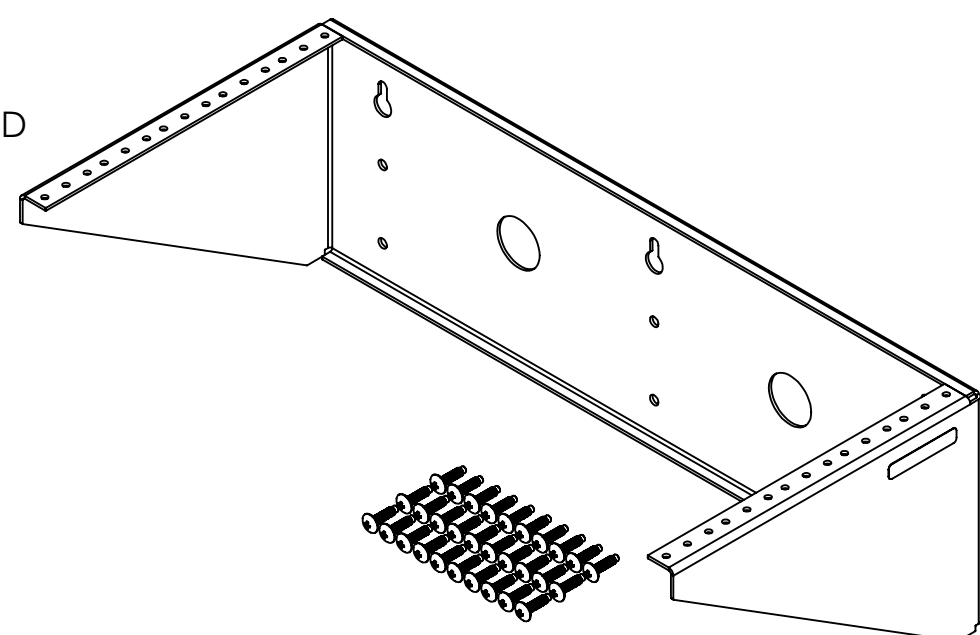
3

2

1



10-32 TAPPED



- NOTE:**
1. 19" EIA RACK MOUNT COMPLIANT.
 2. MATERIAL STEEL
 3. BLACK POWDER COAT
 4. BLACK ZINC HARDWARE

NA	INITIAL RELEASE.	T	10/03/2023	T
ECO No:	Description:	By:	Date:	App By:

KENDALL HOWARD CONFIDENTIAL THE INFORMATION CONTAINED IN THIS DRAWING IS THE SOLE PROPERTY OF KENDALL HOWARD. ANY REPRODUCTION IN PART OR AS A WHOLE WITHOUT THE WRITTEN PERMISSION OF KENDALL HOWARD IS STRICTLY PROHIBITED.	UNLESS OTHERWISE SPECIFIED, ALL DIMENSIONS ARE IN INCHES. TOLERANCES: FRACTIONAL: ±1/8 ANGULAR: ±1° TWO PLACE DECIMAL: ±.03 THREE PLACE DECIMAL: ±.010 HOLE: ±.005	APPROVAL DRAWN TK 09/01/2023 DESIGN TK 08/20/2023 ENG APPR MFG APPR	DATE 09/01/2023 08/20/2023
	MANUFACTURING COMMENTS: MATERIAL: SEE BOM SURFACE AREA (in ²): NA FINISH ID: NA FINISH DESCRIPTION: NA	LEGACY Part Number: CLASSIFICATION: Wall Mount Racks Cabinets	THIRD ANGLE PROJECTION
DO NOT SCALE DRAWING		<small>INTERPRET DIMENSIONS AND TOLERANCES PER ASME Y14.5-2009</small>	

KENDALL HOWARD

TITLE:
6U V-RACK, 10-32 THREADED MOUNT

SIZE	DWG. NO.	REV
B	1916-2-101-06-PD	01
SCALE: 1:3	WEIGHT (lbs): 4.32	SHEET 1 OF 1

6

5

4

3

2

1