



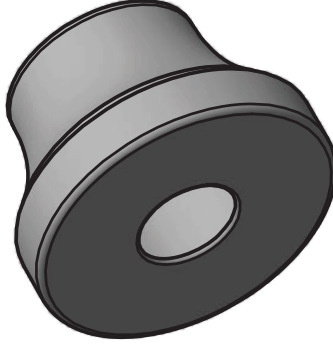
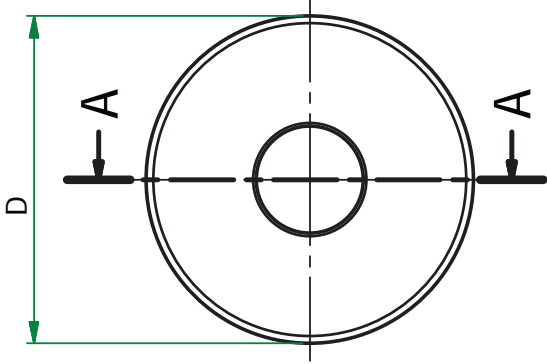
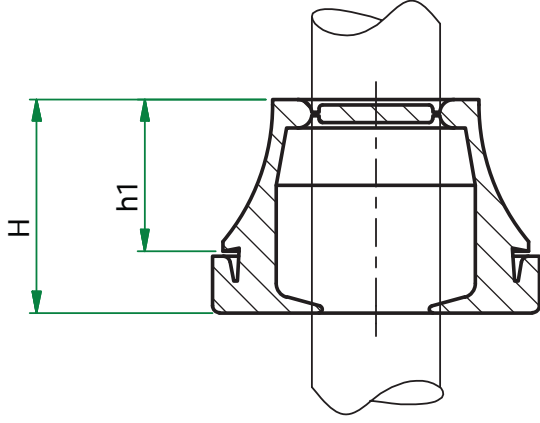
**ESSENTRA**  
COMPONENTS

essentracomponents.com

© 2013 Essentra Components. All rights reserved.  
Registered in England, Company No. 547495.  
Registered Office: Avebury House,  
201-249 Avebury Boulevard, Milton Keynes, MK9 1AU  
essentra.com

Condition of Sale can be found on our website:  
Essentra Components does not warrant that the files will be error free and may create new versions ("Upgrades") at any time, which may correct such errors. Essentra Components has no obligation to notify you of such upgrades. Any upgraded file will be published to the website, when it becomes available.

You are not permitted to load any of the files on to a network server for the purposes of distribution to one or more other computer(s) on that network or to effect such distribution. Essentra Components shall not be liable for any loss or damage whatsoever or however caused, arising directly or indirectly from the use of the files.



UNCONTROLLED

UNLESS OTHERWISE STATED	
ALL DIMENSIONS IN mm	DO NOT SCALE
LINEAR TOLERANCE	THIRD ANGLE PROJECTION
SIZE (0) (0.0) (0.00)	
0-10mm ±0.5 ±0.15 ±0.10	
10-30mm ±0.5 ±0.20 ±0.15	
30-50mm ±0.5 ±0.30 ±0.20	
50-100mm ±0.8 ±0.50 ±0.25	
100-200mm ±1.5 ±0.80 ±0.40	
200-300mm ±2.0 ±1.20 ±0.80	
300-500mm ±3.0 ±2.00 ±1.00	
+500mm ±5.0 ±3.00 ±1.50	
ANGULAR TOLERANCE ±0.5 DEGREES	
UNSPECIFIED RADI 0.25mm	
DRAFT ANGLE 0.5 DEGREES	
DIMENSIONS IN BRACKETS [ ] ARE IN INCHES FOR REFERENCE ONLY	
ORG.SCALE NTS	CREATE DATE: 15/Dec/2014

MATERIAL	EPDM
ITEM No.	GR67464121A
TITLE	IP67 GROMMETS
DWG.No.	P110575
ISSUE No.	2

Part Number	PANEL HOLE DIAMETER	PANEL THICKNESS	CABLE DIAMETER	D	H	h1
GR67464121	12.5 (PG-7)	0.5 - 2.0	3.5 - 5	20	17	10.5 Ref