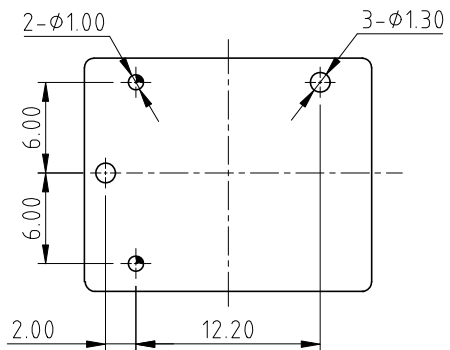
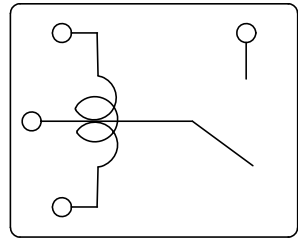
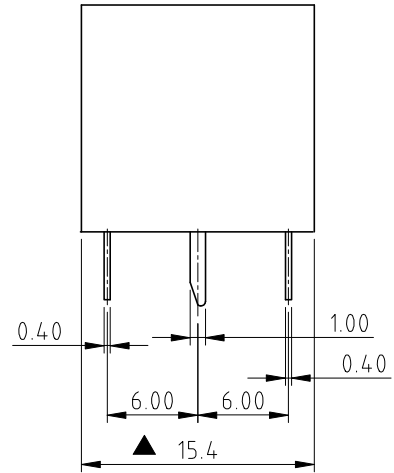
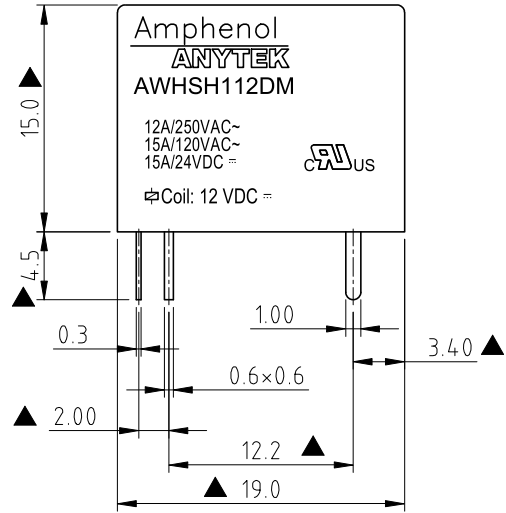


RoHS Compliant

REV	SIGN	DATE	DESCRIPTION	APPROVER
A0		2021.03.08	Initial Release	LENA

THIS IS CAD DRAWING, DO NOT REVISE MANUALLY!!!



P.C.B. LAYOUT
Bottom View

Part No. AWH SH 1 12 D M 00G

- Contact Form
M : One Form A
- Coil Type
D : Standard DC Coil
- Coil Voltage:
12: 12V(VDC)
- Number of pole,
1: One Pole
- Type of sealing :
SH:RT III wash tight
- TYPE : AWH

COIL SPECIFICATION

- Coil Nominal Voltage: 12V DC
- Coil Nominal Current: 30mA
- Coil Resistance: 400Ω ±10%
- Coil Power Consumption: Abt. 0.36W
- Pull-In Voltage(VDC): 9V Max
- Drop-Out Voltage(VDC): 0.6V Min
- Maximum Allowable Voltage: 15.6V
- Operate Time: 10 mSec. Max.
- Release Time: 5 mSec. Max.

CONTACT RATING

- Rated Load(Resistive): 12A 250V AC / 15A 120VAC / 15A 24V DC
- Rated Carrying Current: 15A
- Max. Allowable Voltage: AC 240V / DC 110V
- Max. Allowable Current: 15A
- Max. Allowable Power Force: 3000VA 360W
- Contact Material: Ag Alloy
- Contact Form: SPST

ELECTRICAL

- Dielectric Strength:
 - Between Coil & Contact: 1,000V AC (50/60 Hz for 1 minute)
 - Between Contact: 500V AC (50/60 Hz for 1 minute)
- Contact Resistance: 100mΩ Max. at 1A, 6V DC
- Insulation Resistance: 100MΩ Min at 500V DC

MECHANICAL

- Life Expectancy(Operations):
 - Electrical: 1 x 10⁵ operations at Rated Resistive load
 - Mechanical: 1 x 10⁷ operations at No Resistive load
- Operating Temperature: -30°C ~ 85°C
- Safety Approval: UL

Amphenol ANYTEK				CUSTOMER COPY		
ALL RIGHTS RESERVED. REPRODUCTION OR ISSUE TO THIRD PARTIES IN ANY FORM WHATSOEVER IS NOT PERMITTED WITHOUT WRITTEN AUTHORITY FROM THE PROPRIETOR. PROPERTY OF ANYTEK TECHNOLOGY CO., LTD						
TITLE	AWH Series Relay, RT III Wash Tight, 12V DC,					
PART NO.	AWHSH112DM00G			DWG NO.	8AWH0004	
APPROVED	CHECKED	DESIGNED	DRAWN	CUST NO.	Tolerance	
		LENA	LENA		UNIT: mm	X. ±0.50
		2021.03.08	2021.03.08		SCALE: 2:1	X.X ±0.30
					SHEET: 01/01	REV.: A0
						X° ±1°