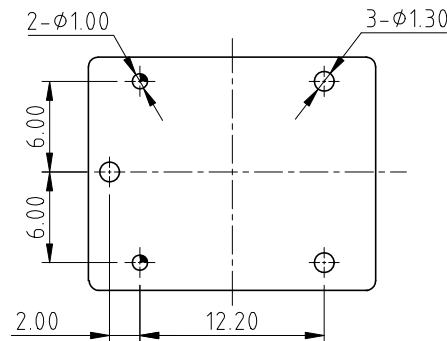
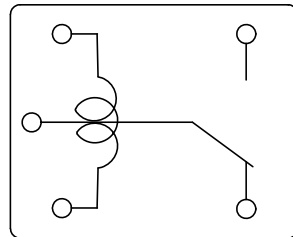
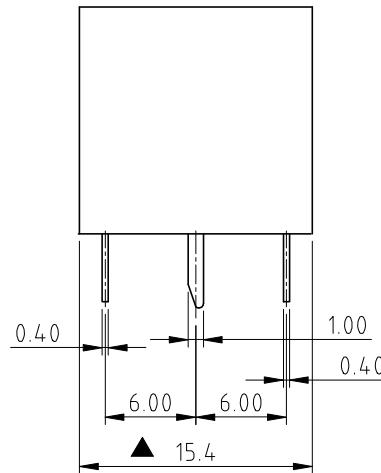
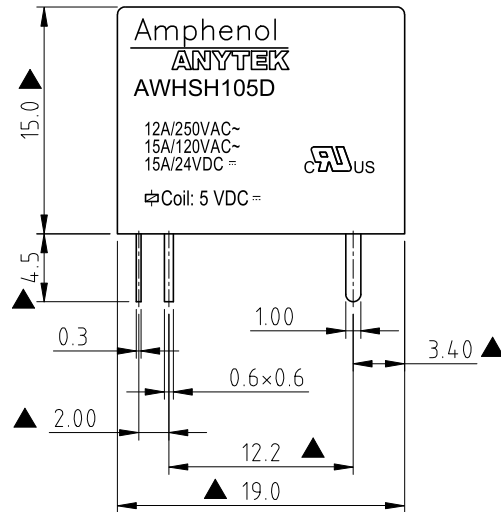


RoHS Compliant

REV	SIGN	DATE	DESCRIPTION	APPROVER
A0		2021.03.08	Initial Release	LENA

*THIS IS CAD DRAWING, DO NOT REVISE MANUALLY!!!*



P.C.B. LAYOUT  
Bottom View

Part No. AWH SH 1 05 D 00G

- Coil Type  
D : Standard DC Coil
- Coil Voltage:  
05: 5V(VDC)
- Number of pole,  
1: One Pole
- Type of sealing :  
SH:RT III wash tight
- TYPE : AWH

**COIL SPECIFICATION**

- Coil Nominal Voltage: 5V DC
- Coil Nominal Current: 71.4mA
- Coil Resistance: 70Ω ±10%
- Coil Power Consumption: Abt. 0.36W
- Pull-In Voltage(VDC): 3.75V Max
- Drop-Out Voltage(VDC): 0.25V Min
- Maximum Allowable Voltage: 6.5V
- Operate Time: 10 mSec. Max.
- Release Time: 5 mSec. Max.

**CONTACT RATING**

- Rated Load(Resistive): 12A 250V AC / 15A 120VAC / 15A 24V DC
- Rated Carrying Current: 15A
- Max. Allowable Voltage: AC 240V / DC 110V
- Max. Allowable Current: 15A
- Max. Allowable Power Force: 3000VA 360W
- Contact Material: Ag Alloy
- Contact Form: SPDT

**ELECTRICAL**

- Dielectric Strength:
  - Between Coil & Contact: 1,000V AC (50/60 Hz for 1 minute)
  - Between Contact: 500V AC (50/60 Hz for 1 minute)
- Contact Resistance: 100mΩ Max. at 1A, 6V DC
- Insulation Resistance: 100MΩ Min at 500V DC

**MECHANICAL**

- Life Expectancy(Operations):
  - Electrical: 1 x 10<sup>5</sup> operations at Rated Resistive load
  - Mechanical: 1 x 10<sup>7</sup> operations at No Resistive load
- Operating Temperature: -30°C ~ 85°C
- Safety Approval: UL

**Amphenol  
ANYTEK**

**CUSTOMER COPY**

ALL RIGHTS RESERVED. REPRODUCTION OR ISSUE TO THIRD PARTIES IN ANY FORM WHATSOEVER IS NOT PERMITTED WITHOUT WRITTEN AUTHORITY FROM THE PROPRIETOR. PROPERTY OF ANYTEK TECHNOLOGY CO., LTD

TITLE		AWH Series Relay, RT III Wash Tight, 5V DC,			DWG NO.		8AWH0001	
PART NO.		AWHSH105D00G			CUST NO.			
APPROVED	CHECKED	DESIGNED	DRAWN	Tolerance				
		LENA	LENA	X. ±0.50				
		2021.03.08	2021.03.08	X.X ±0.30				
SHEET: 01/01		REV.: A0		X.XX ±0.10				
				X° ±1°				