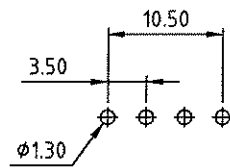
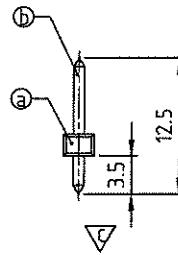
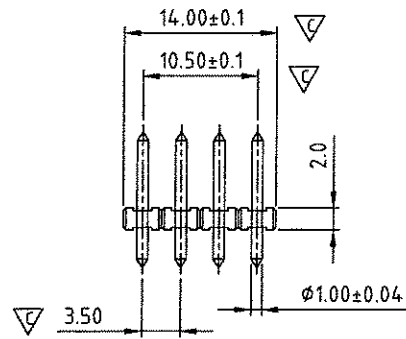
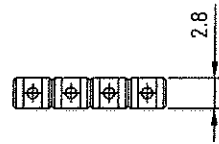


SIGN	DATE	DESCRIPTION	APPROVER
△			
THIS IS CAD DRAWING, DO NOT REVISE MANUALLY!!!			



P.C.B. LAYOUT

- Material:
- Item ② Terminal(housing): Thermoplastic (UL94V-0)
  - Item ① Contact pin: Brass, Bright Tin plated over Nickel plated

- Electrical: cULus
- Voltage rating: 300V
  - Current rating: 10A
  - Withstanding Voltage: 1.6KV
  - Operating temperature: -40°C to +115°C
  - Soldering temperature: 260°C±5°C/5 Sec
  - Safety Approval:
  - Critical dimension:



<b>ANYTEK</b>		<b>CUSTOMER COPY</b>	
ALL RIGHTS RESERVED. REPRODUCTION OR ISSUE TO THIRD PARTIES IN ANY FORM WHATEVER IS NOT PERMITTED WITHOUT WRITTEN AUTHORITY FROM THE PROPRIETOR. PROPERTY OF ANYTEK TECHNOLOGY CO., LTD			
TITLE	OP-3.5mm series (L=12.5 $\phi$ 1.0)		
PART NO.	OP0422000001G	DWG NO.	80P0117
APPROVED	CHECKED	DESIGNED	DRAWN
		Evan 11/19-15	Evan 11/03-15
SHEET: 01/01		Tolerance	
		UNIT: mm	X. $\pm$ 0.50
		SCALE: NONE	X.X $\pm$ 0.30
		REV.: B	X.XX $\pm$ 0.10
			X° $\pm$ 1°